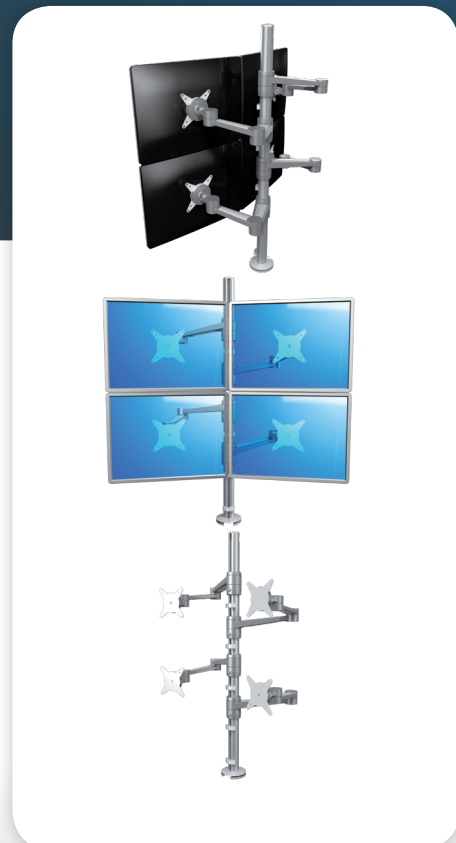


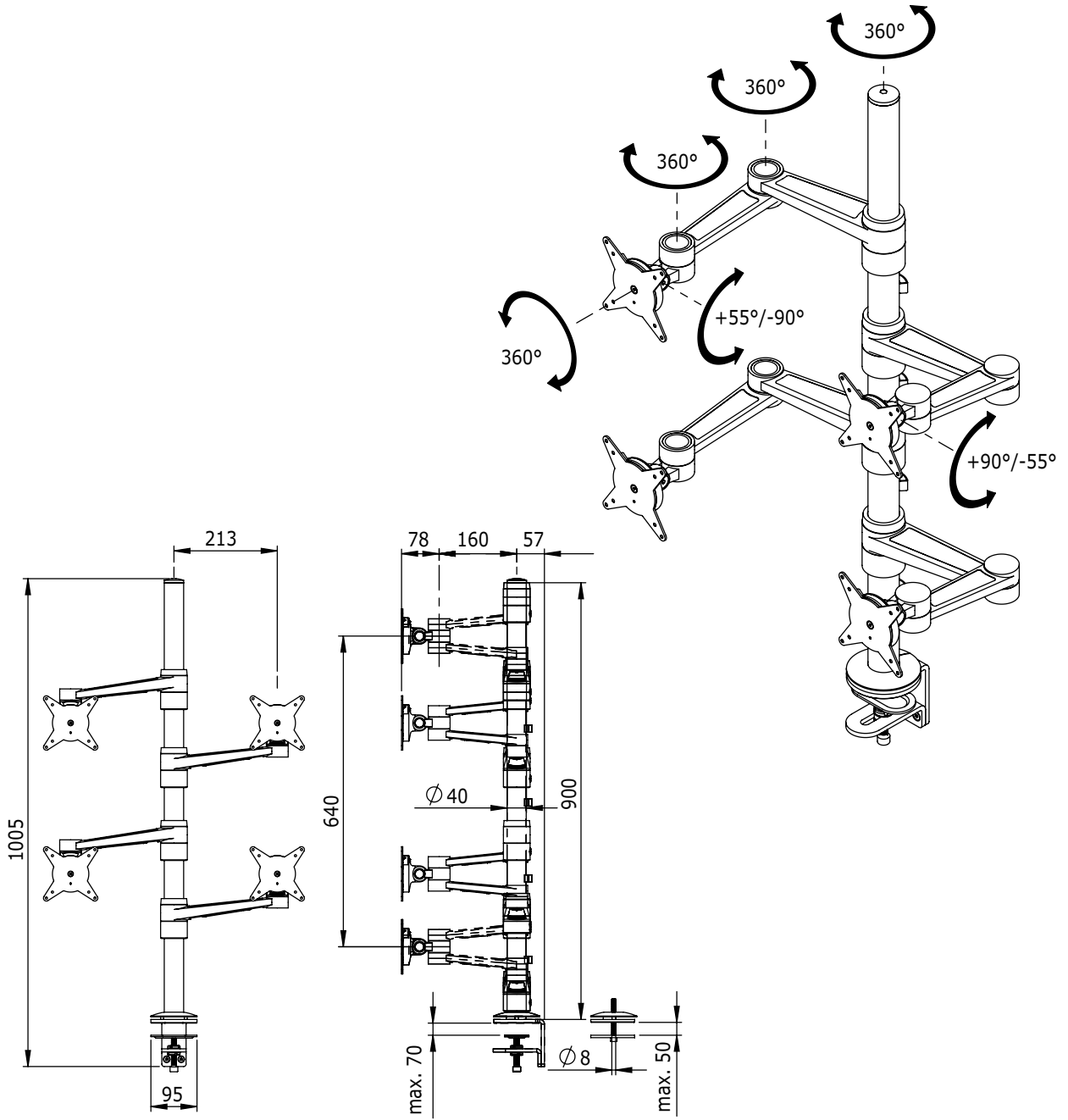
58.182

ViewLite Monitor Arm 182

The 182 is suitable for quad screen configurations, two above and two below. Mainly used in control rooms, security applications and other situations requiring multi monitor setups. Each screen can be configured individually and can therefore be seamlessly integrated in the configuration.

- Step-less height adjustment over 300mm
- Step-less depth adjustment over 450mm
- Suitable for quad monitors
- Comes with both bolt through desk and desk clamp
- Suitable for worktops up to 8-70mm thick
- Rotate 360°, tilt +90°/-55°, swivel 360°
- Easily mounted and adjusted
- VESA: MIS-D 75 x 75/100 x 100mm compatible
- Includes advanced and practical Quick Release VESA system
- Max. weight capacity 5kg/monitor (up to 24"/24"W)
- Main components produced from aluminium
- Integrated cable management
- Adjustable monitor rotation lock





DFX.# 58.182

silver-white

1098 x 470 x 159mm

9,859kg

805410581824



24"W/61cm



(4x) 5kg



300mm



360°



+90°/-55°



360°



75/100mm

Dealer