

52.222

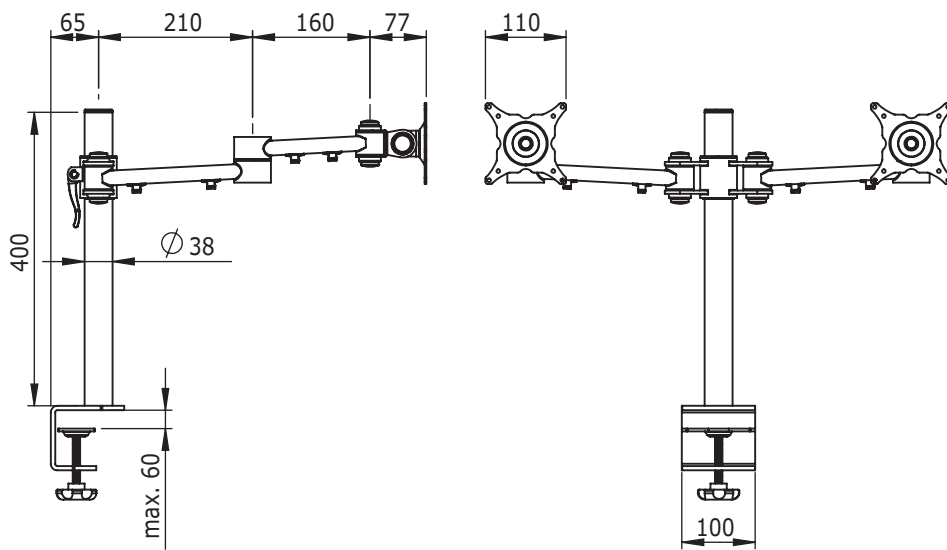
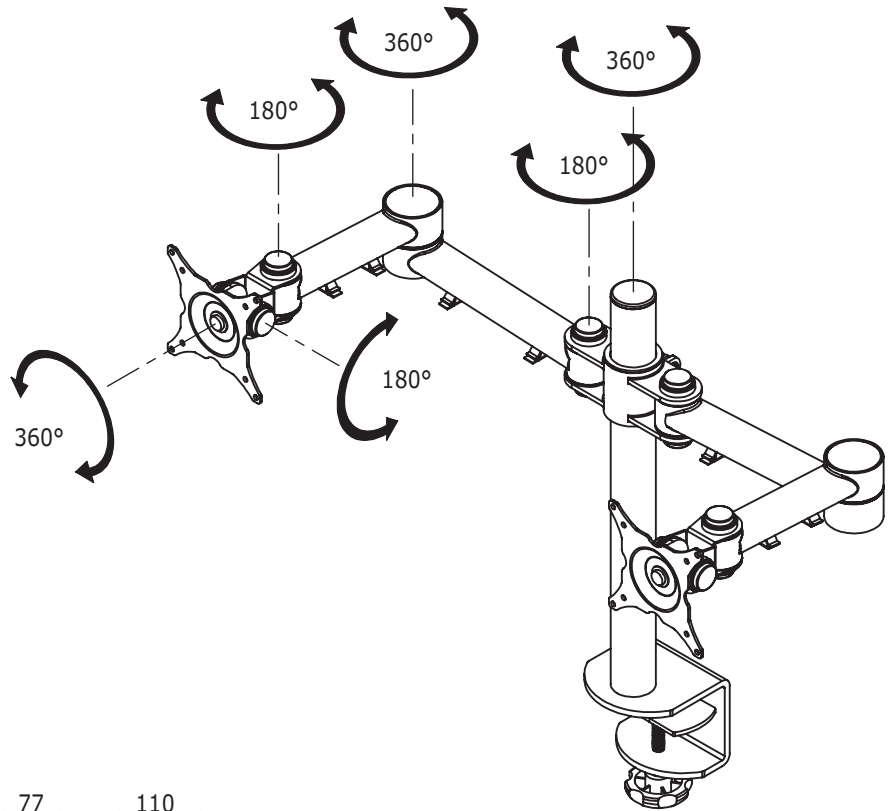
ViewMate Ecoline Monitor Arm 222

This Ecoline solution is proof that mounting two monitors ergonomically does not have to cost more than the monitors themselves. Adjustable height, depth and viewing angles.

- Mounts two monitors horizontally on single post
- Total arm reach 480mm
- Depth adjustable
- Height adjustable
- VESA: MIS-D 75 x 75/100 x 100mm compatible
- Rotate 360°, tilt 180°, lateral 180°
- Max. weight capacity of 15kg/monitor (up to 24"/24"W)
- Post height 400mm
- Post diameter 38mm
- Quick lock/release post bracket
- With integrated desk clamp
- Max. clamp capacity 60mm



 viewmate



viewmate



DFX.# 52.222

silver

620 x 240 x 130mm

5,8kg

805410522223



24"W/61cm



(2x) 15kg



400mm



180°



180°



360°



75/100mm

Dealer