



32.412

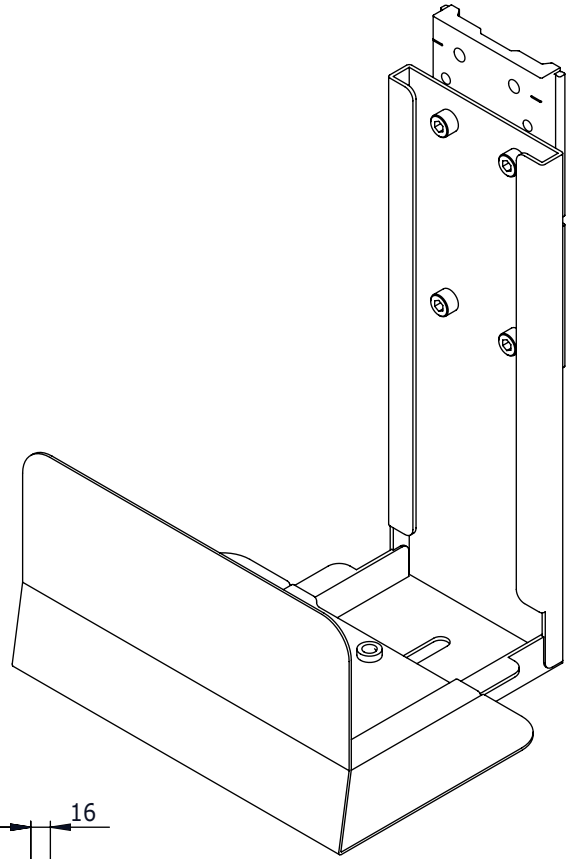
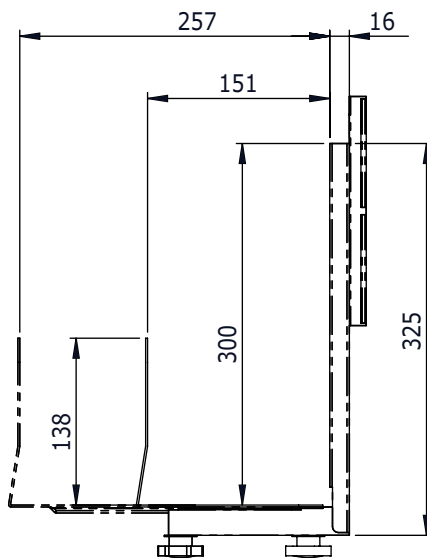
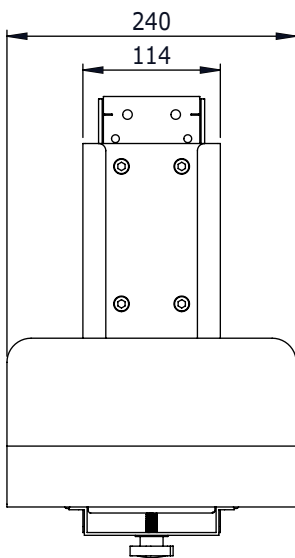
CPU Holder for wall-rails system/wall mount

This CPU holder is suitable for all combo wall-rail systems by Dataflex. The width adjustable clamping mechanism allows for almost all common desktop PCs and workstations to be firmly installed into the CPU holder. Like all wall-rail system components, the holder is adjustable in height along the rail. This allows it to be mounted both above and below a monitor.

- Compatible with all Dataflex combo wall-rail systems
- Includes wall-rail glider 56.092
- Suitable for PCs with a thickness of 151-257mm
- With convenient adjustment knob
- Able to be mounted to a wall separately without rail system
- Excluding plugs and screws for separate wall mount



PC SOLUTIONS
by Dataflex



DFX.# 32.412

silver

385 x 175 x 165mm

3,380kg

805410324124



151-257mm



20kg

Dealer