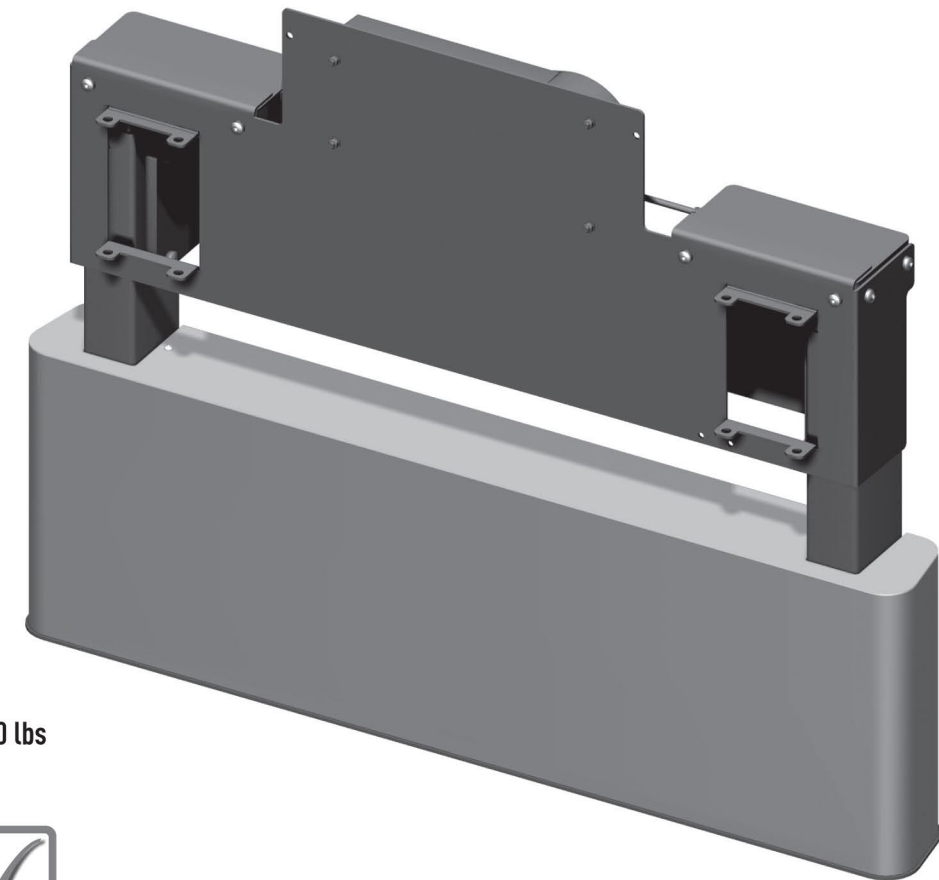


**Mounting instructions**  
**Montagevoorschrift**  
**Instructions de montage**  
**Montageanleitung**  
**Guía de montaje**  
**Istruzioni di montaggio**  
**Instruções de montagem**  
**Monteringsanvisning**  
**Instrukcja montażu**  
**Рекомендации по установке**

**PFWE 7150**  
**Motorized wall mount**



 **Max. 160 kg / 350 lbs**



