

53.112

ViewMaster M5 Monitor Arm 112

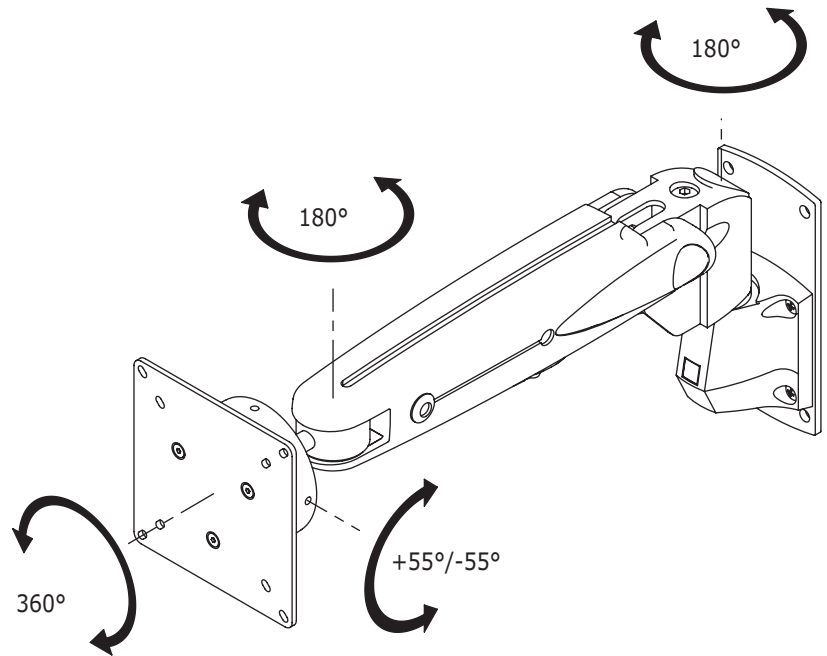
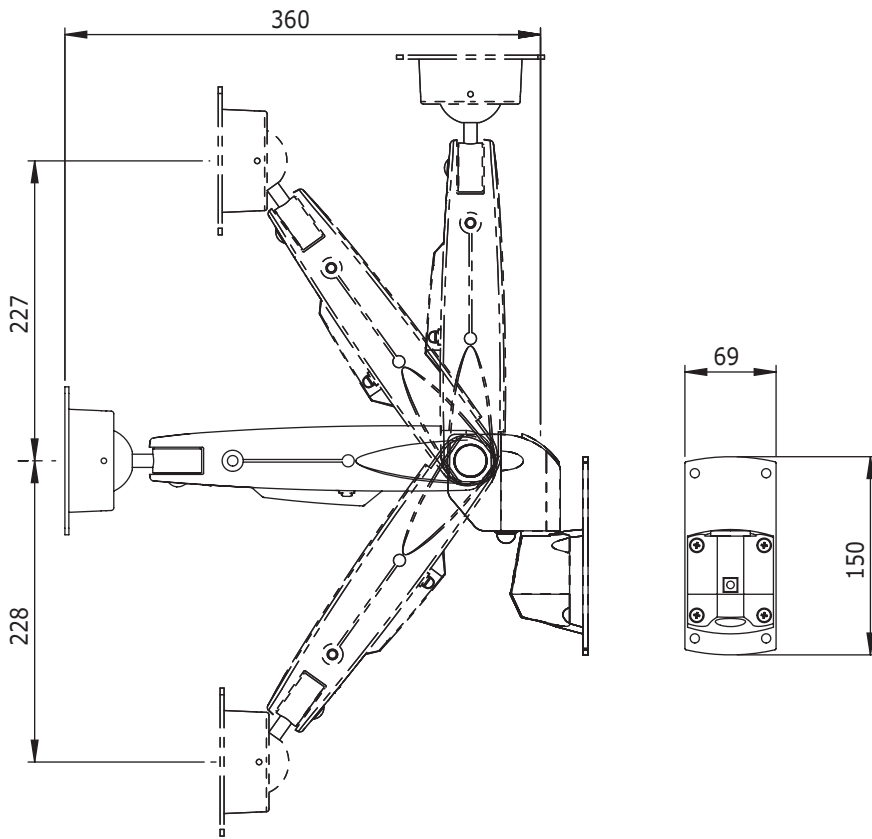
Placing the M5 arm directly onto the wallmount one provides a compact, stepless height adjustable monitor support with many different benefits. Like all other M5 products this appliance has an integrated and concealed cable management system.

- Built-in SUSPA® gas-spring
- Step less height adjustability of 455mm
- Integrated/concealed cable management
- Die-cast aluminium
- VESA: MIS-D 75 x 75/100 x 100mm compatible
- Rotate 360°, tilt 110°, lateral 180°
- Weight capacity: 2kg-12kg (up to 24"/24"W)
- Maximum reach: 360mm
- Three-dimensional movement
- Touch screen stable
- Comes with wallmount (see datasheet 53.032/53.033)



ViewMaster





ViewMaster



DFX.# 53.112

silver

465 x 135 x 120mm

2,695kg

805410531126



24\"/>



2-12kg



455mm



+90°/-90°



+55°/-55°



360°



75/100mm

Dealer