

**PPC Series - projector ceiling mounts**



# expanding projector experiences

Ceiling mounts for projectors



# Next generation projector mounts

Vogel's Professional offers a complete new range of projector ceiling mounts. These projector mounts are especially designed for the latest generation projectors weighing up to 25 kg. The range includes basic projector ceiling mounts and height adjustable kits with telescopic poles.

## Universal projector interface

All mounts come with a universal projector interface. This projector interface is equipped with fine tune adjustability for precise alignment to the projection surface. Once aligned, the projector stays in position. Turning the unique friction ring (patent pending) will eliminate all play from the interface connections, making the mount a solid and very stable solution.

## Height adjustable projector ceiling mount kits

The height adjustable projector ceiling mount kits can be used when the height of the ceiling is not known or when flexibility is wanted. These mounts come in 3 lengths offering variable height adjustment from 400 to 1350 mm. This projector ceiling mount is suitable for mounting on flat and inclined ceilings up to 90°. The CIS® Cable Inlay System runs the full length of the pole and even allows for cable routing after installation. This CIS® offers sufficient space for all cables required and enables you to hide all the cables in a matter of seconds.

## The new way of projector mounting



Friction ring to eliminate all play (patent pending)



Fine tune tilt and roll adjustment. Tilt and roll +/- 15°



Height adjustable



CIS® Cables can be inserted over full length after installation



Mounted directly to ceiling



Mounted to Connect-it Basic pole

## Projector ceiling mounts

These mounts can be installed directly to the ceiling or they can be used with a Connect-it Basic pole in case of higher ceilings.

## Key features:

- Fine tune adjustment on tilt and roll
- Unique friction ring to eliminate all play
- Cable Inlay System
  - Over full length of kit
  - Cables can be inserted after installation
  - Sufficient cable inlay (max. 8 x Ø 7mm cable)
- Special anti theft screws



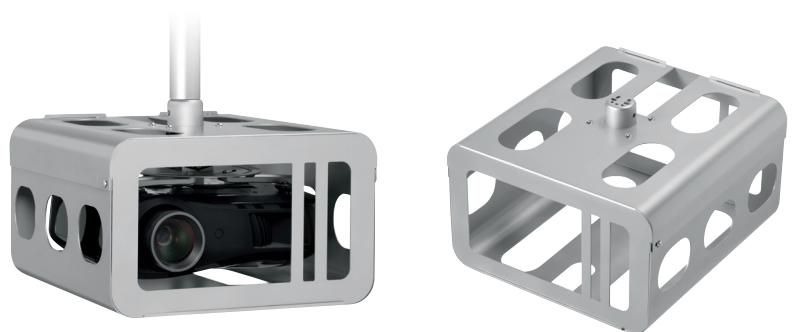
## Anti theft housing

Vogel's Professional offers a range of projector anti theft housings for the new PPC 1500 and PPC 2500 Series projector mounts. The PPA 310 is an anti theft housing for small-medium sized projectors, while the PPA 320 is designed for the bigger sized projectors. Both offer maximum protection to projectors in schools and public environments.

The projector housings are designed to prevent theft of mounted projectors and fit on our modular PUC 21xx ceiling poles. The new design makes it possible to mount the housing directly to the ceiling. The housings are designed in such a way that servicing the projector is quick and easy. Large openings on the top and bottom of the housing allow easy access to the projector for service and maintenance. Large ventilation openings offer sufficient cooling to prevent the projector from overheating. After installing the projector to the ceiling it can be aligned. After final alignment the housing can be closed with special anti theft screws. Additionally a padlock and/or a bolt-nut can be added for double security.

### Key features:

- Heavy-duty steel housing
- Can be mounted directly to the ceiling
- Use in combination with ceiling plate, PUC 21xx pole and PPC 1500 or PPC 2500
- Easy installation and access for maintenance



## Projector ceiling kits

PPC 1540

PPC 1555

PPC 1585

### PPC 1540/ 1555/ 1585



- Maximum load: 15 kg
- Range Ø 30-337 mm
- Height adjustable:
  - PPC 1540: 400-550 mm
  - PPC 1555: 550-850 mm
  - PPC 1585: 850-1350 mm
- Rotation 360°
- CIS® Cable Inlay System
- +/- 15° adjustability on tilt and roll
- Fine tune adjustability
- Friction ring
- Special anti theft screws
- Including 4 metal mounting arms
- Easy mounting and servicing with secure click in/out mechanism
- Special ceiling plate for flat and sloping ceiling
- Available in silver and white

PPC 2540

PPC 2555

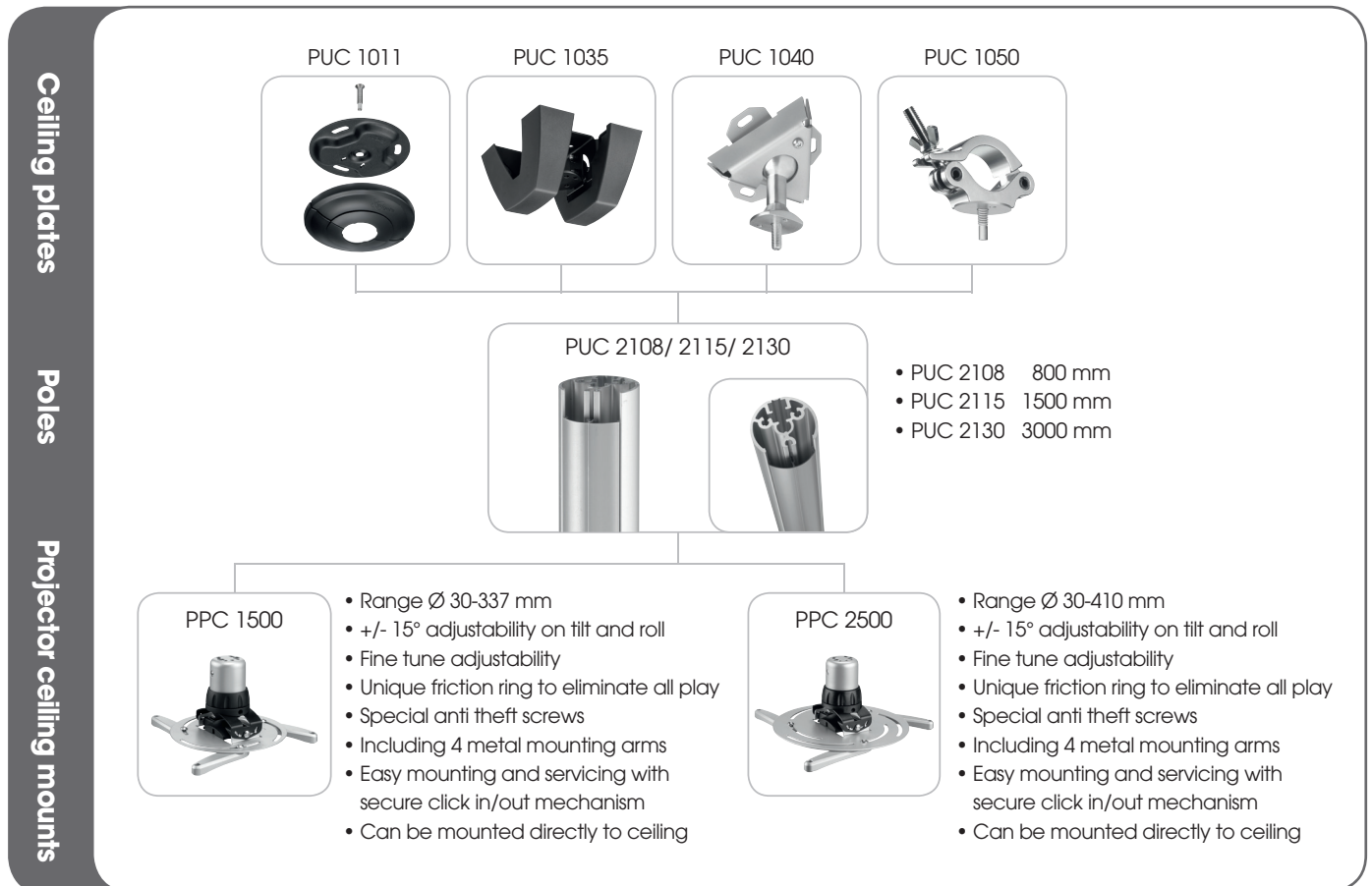
PPC 2585

### PPC 2540/ 2555/ 2585



- Maximum load: 25 kg
- Range Ø 30-410 mm
- Height adjustable:
  - PPC 2540: 400-550 mm
  - PPC 2555: 550-850 mm
  - PPC 2585: 850-1350 mm
- Rotation 360°
- CIS® Cable Inlay System
- +/- 15° adjustability on tilt and roll
- Fine tune adjustability
- Friction ring
- Special anti theft screws
- Including 4 metal mounting arms
- Easy mounting and servicing with secure click in/out mechanism
- Special ceiling plate for flat and sloping ceiling

## Product overview



PPC Series movie

