

i.52.8042

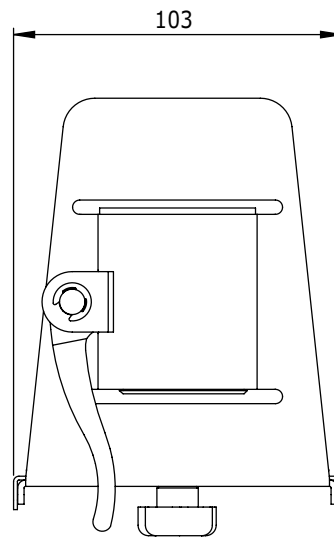
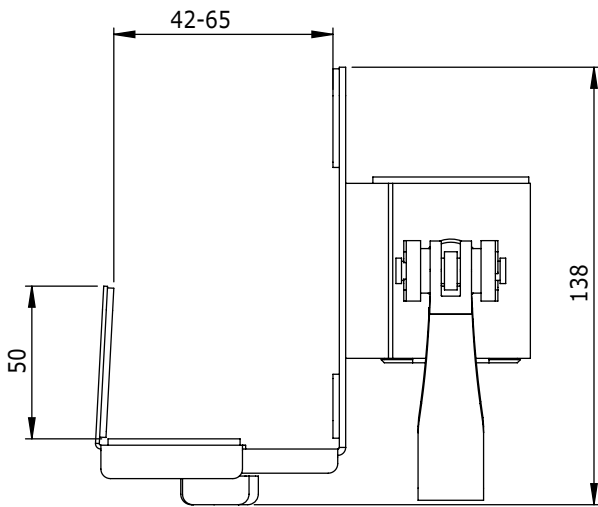
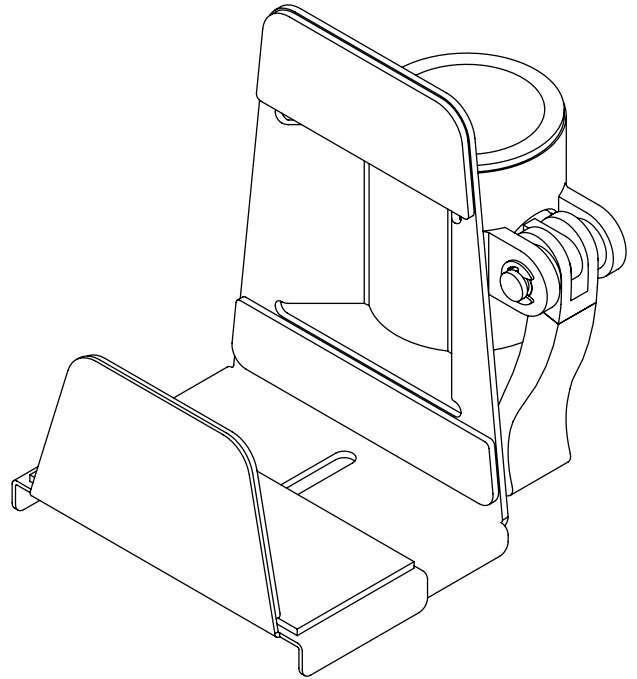
## ViewMate-i Thin Client Holder

The ViewMate Thin Client Holder is designed to place onto the ViewMate Combo/Style product range. The Thin Client Holder can be adjusted in width between 42-65mm by using a knob fitted on the sliding part of the holder.

- Suitable for all frames in the ViewMate Combo product range
- Adjustable in height using the quick lock & release bracket
- Max. weight capacity of 7kg
- Thin Client Holder fits devices with a thickness of 42-65mm and max. height of 300mm
- Thin Client Holder is coated with layer of anti-skid rubber foam for snug mounting
- Thin Client Holder dimensions (wxdxh): 123-147 x 104 x 139mm



 viewmate



**DFX.#** i.52.8042

**Color** silver

**Dimensions** 145 x 125 x 115mm

**Weight** 0,76kg

**Barcode** 805410996048



i.52.8002  
i.52.8012

Dealer