

KVR333D4R25/1GI

1GB 128M x 72-Bit DDR333 CL2.5

Registered 184-Pin ECC DIMM

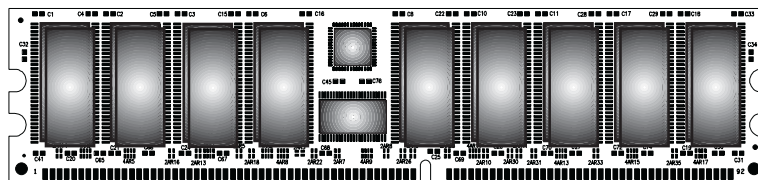
DESCRIPTION:

This document describes ValueRAM's 128M x 72-bit 1GB (1024MB) DDR333 CL2.5 SDRAM (Synchronous DRAM) registered ECC "Intel® Certified" memory module. The components on this module include eighteen stacked 128M x 4-bit (thirty-six 64M x 4-Bit) DDR333 SDRAM. This 184-pin DIMM uses gold contact fingers and requires +2.5V. The electrical and mechanical specifications are as follows:

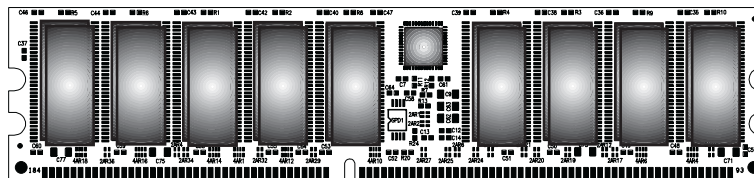
FEATURES:

- ✓ Clock Cycle Time (tCK) 6ns (min.) / 12ns (max.)
- ✓ Row Cycle Time (tRC) 60ns (min.)
- ✓ Refresh Row Cycle Time (tRFC) 72ns (min.)
- ✓ Row Active Time (tRAS) 42ns (min.) / 70,000ns (max.)
- ✓ Single Power Supply of +2.5V (+/- .2V)
- ✓ Power 8.900 W (operating)
- ✓ UL Rating 94 V - 0

Note: The module defined in this data sheet is one of several configurations available under this part number. While all configurations are compatible, the DRAM combination and/or the module height may vary from what is described here. However, in no configuration will the module height exceed 1.200" (30.48mm).



COMP SIDE



SOLDER SIDE- MIRRORED

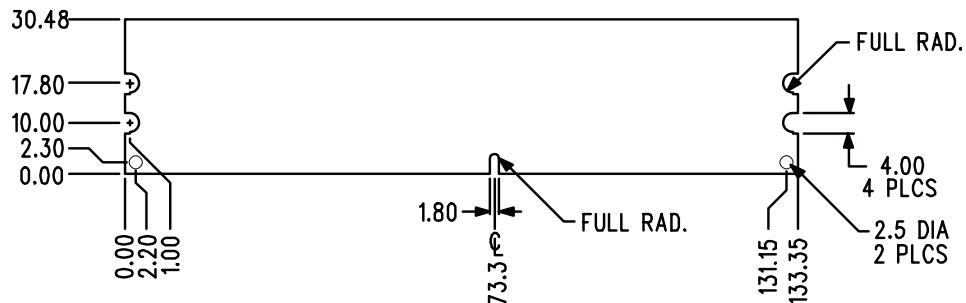


Figure 1: KVR333D4R25/1GI 184-Pin DIMM