

KVR667D2N5/256

256MB 32M x 64-Bit DDR2-667

CL5 240-Pin DIMM

DESCRIPTION:

This document describes ValueRAM's 32M x 64-bit (256MB) DDR2-667 CL5 SDRAM (Synchronous **DRAM**) memory module. The components on this module include eight 32M x 8-bit (8M x 8-bit x 4 Bank) DDR2-667 SDRAM in FBGA packages. This 240-pin DIMM uses gold contact fingers and requires +1.8V. The electrical and mechanical specifications are as follows:

FEATURES:

☑ Clock Cycle Time (tCK) CL=5	3ns (min.) / 8ns (max.)
☑ Row Cycle Time (tRC)	54ns (min.)
☑ Refresh to Active/Refresh Command Time (tRFC)	75ns
☑ Row Active Time (tRAS)	39ns (min.) / 70,000ns (max.)
☑ Single Power Supply of	+1.8V (+/- .1V)
☑ Power	1.440 W (operating)
☑ UL Rating	94 V - 0

Note: The module defined in this data sheet is one of several configurations available under this part number. While all configurations are compatible, the DRAM combination and/or the module height may vary from what is described here. However, in no configuration will the module height exceed 1.250" (31.75mm).

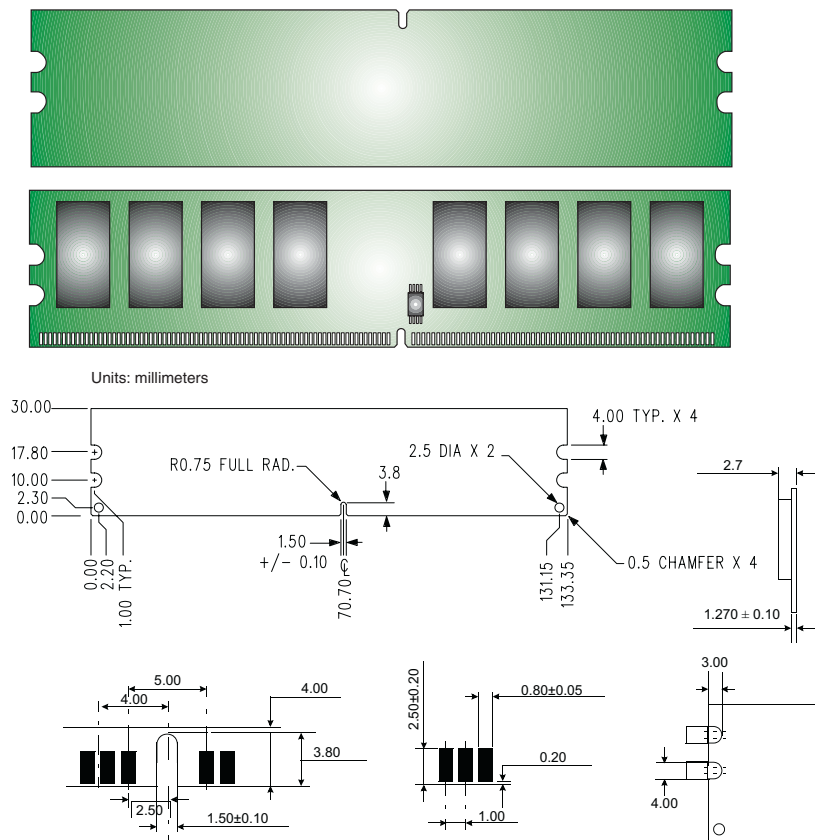


Figure 1: KVR667D2N5/256 240-Pin DIMM