

KVR400S8R3AL/512

512MB 64M x 72-Bit DDR400 CL3

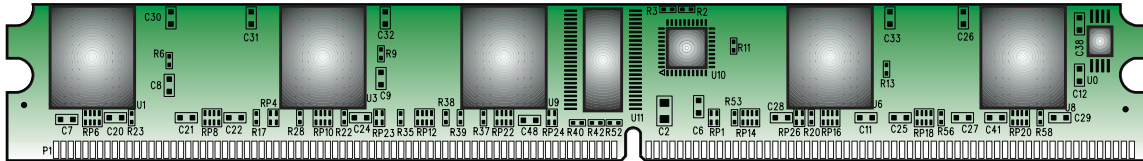
Registered 184-Pin ECC DIMM

DESCRIPTION:

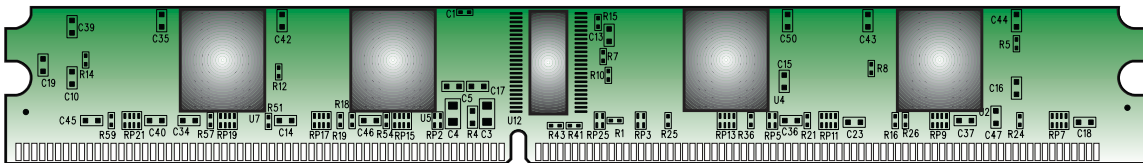
This document describes ValueRAM's 64M x 72-bit (512MB) DDR400 CL3 SDRAM (Synchronous DRAM) low-profile "single rank" registered ECC memory module. The components on this module include nine 64M x 8-bit (16M x 8-bit x 4 Bank) DDR400 SDRAM in FBGA packages. This 184-pin DIMM uses gold contact fingers and requires +2.5V. The electrical and mechanical specifications are as follows:

FEATURES:

- ✓ Clock Cycle Time (tCK) 5ns (min.) / 10ns (max.)
- ✓ Row Cycle Time (tRC) 55ns (min.)
- ✓ Refresh Row Cycle Time (tRFC) 70ns (min.)
- ✓ Row Active Time (tRAS) 40ns (min.) / 70,000ns (max.)
- ✓ Single Power Supply of +2.6V (+/- .1V)
- ✓ Power 4.082 W operating
- ✓ UL Rating 94 V - 0



COMP SIDE



SOLDER SIDE- MIRRORED

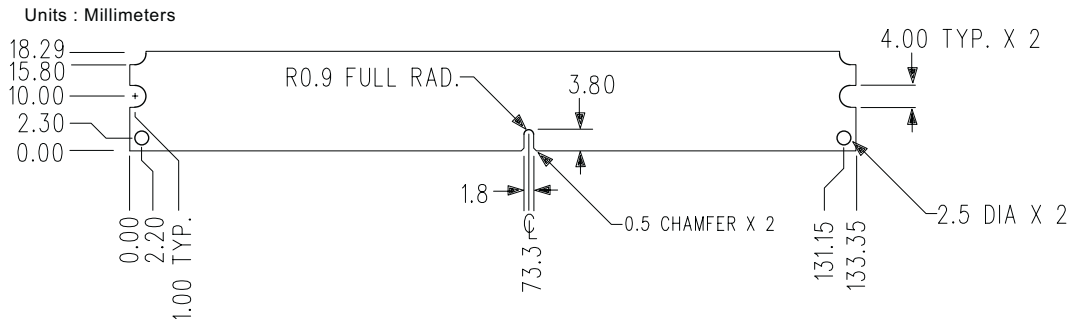


Figure 1: KVR400S8R3AL/512 184-Pin DIMM