

KVR333S8R25L/512

512MB 64M x 72-Bit DDR333 CL2.5

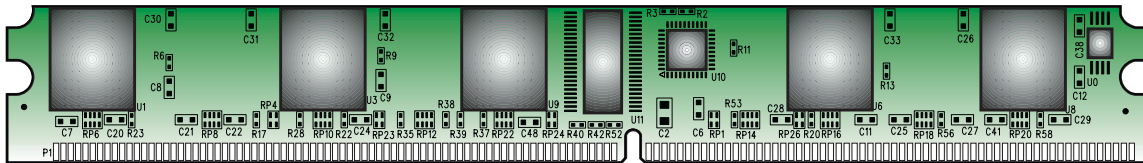
Registered 184-Pin ECC DIMM

DESCRIPTION:

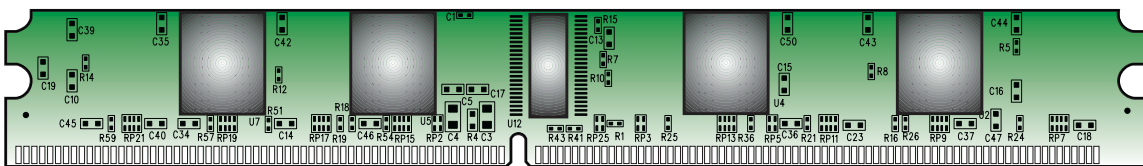
This document describes ValueRAM's 64M x 72-bit (512MB) DDR333 CL2.5 SDRAM (Synchronous DRAM) low-profile "single rank" registered ECC memory module. The components on this module include nine 64M x 8-bit (16M x 8-bit x 4 Bank) DDR333 SDRAM in FBGA packages. This 184-pin DIMM uses gold contact fingers and requires +2.5V. The electrical and mechanical specifications are as follows:

FEATURES:

- ✓ Clock Cycle Time (tCK) 6ns (min.) / 12ns (max.)
- ✓ Row Cycle Time (tRC) 60ns (min.)
- ✓ Refresh Row Cycle Time (tRFC) 72ns (min.)
- ✓ Row Active Time (tRAS) 42ns (min.) / 70,000ns (max.)
- ✓ Single Power Supply of +2.5V (+/- .2V)
- ✓ Power 3.995 W (operating)
- ✓ UL Rating 94 V - 0



COMP SIDE



SOLDER SIDE- MIRRORED

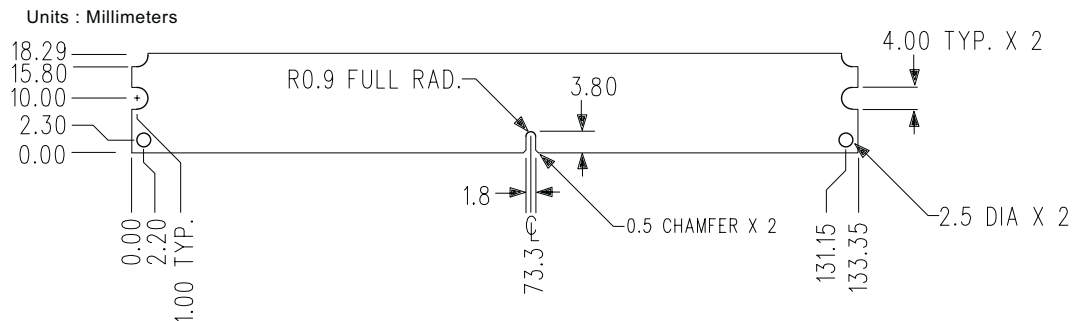


Figure 1: KVR333S8R25L/512 184-Pin DIMM