

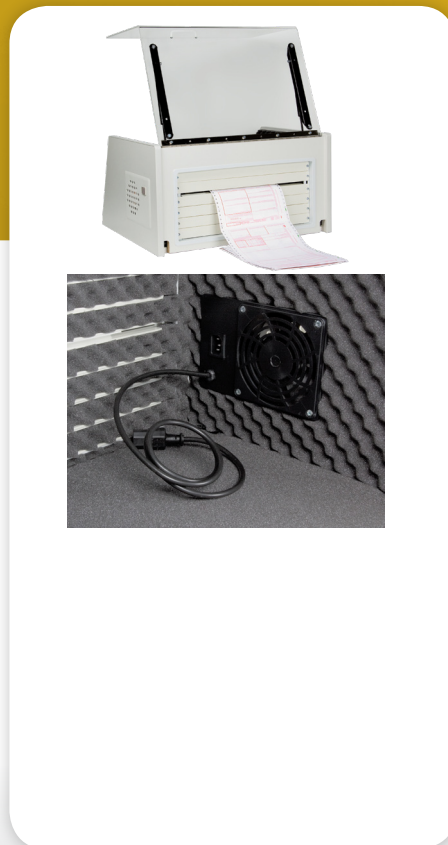


12.127

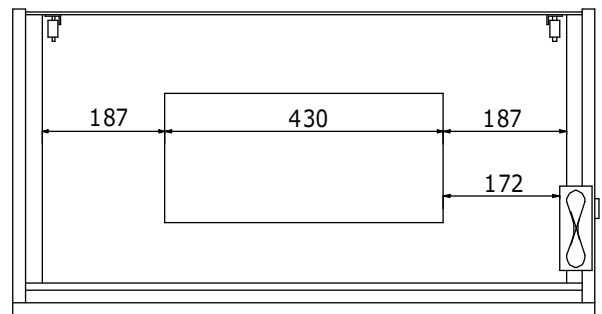
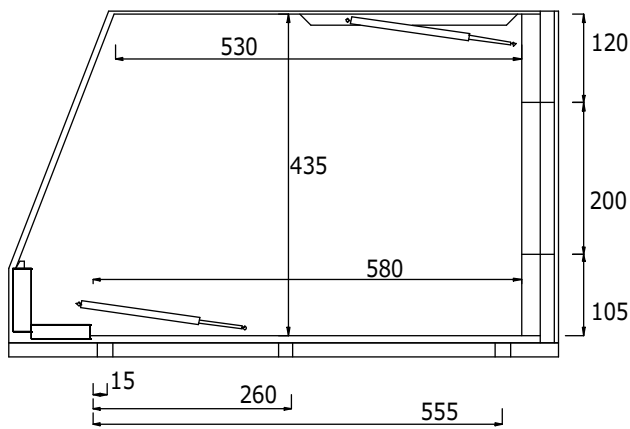
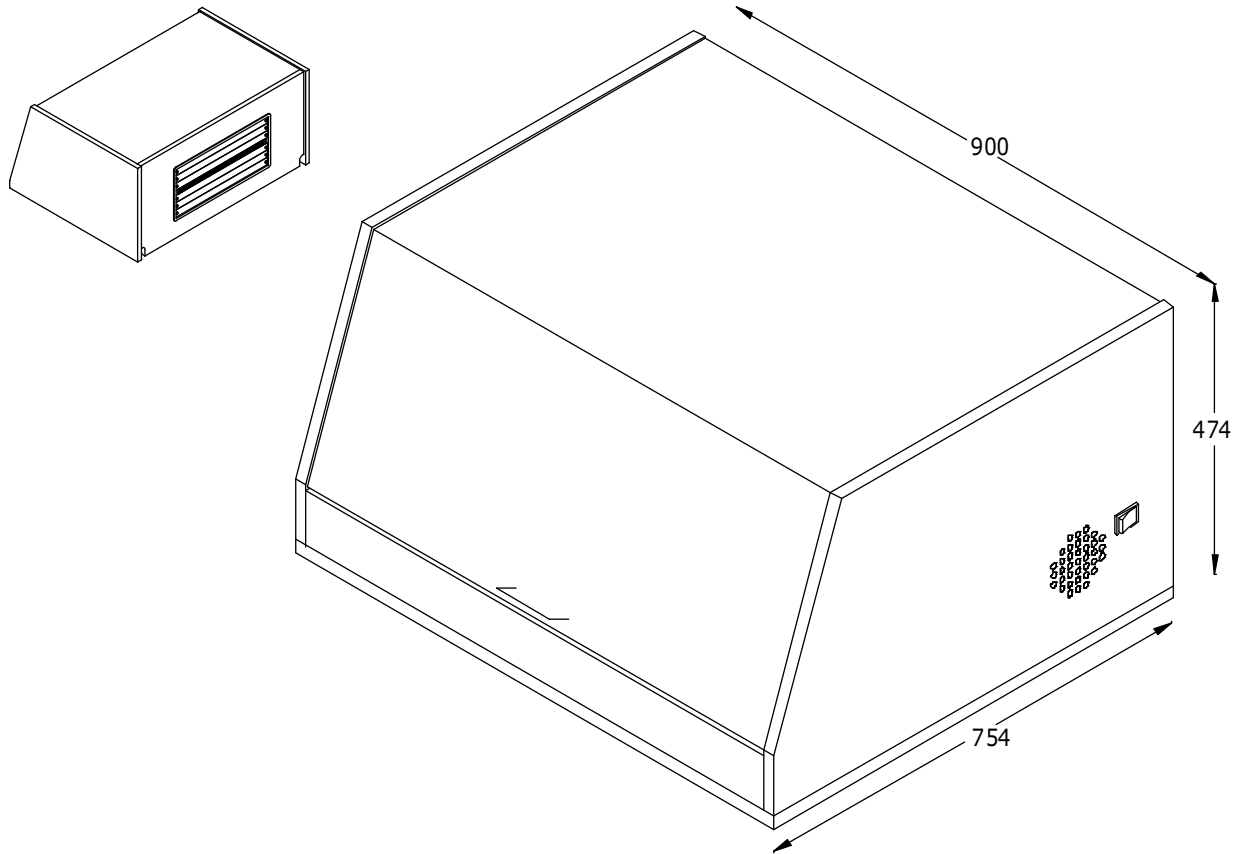
PRX Acoustic Hood 127

This acoustic hood reduces the noise caused by printers (matrix or impact) below 43 dB(A) as specified by the European Directive. Provided with patented adjustable slots in the back for a jam free paper output flow and two safety gas struts to keep the opened lid in balance. The internal fan will ensure your printer is adequately cooled.

- Suitable for Matrix printers
- Sturdy steel components
- Acoustic foam reduces noise below 43 dB (A)
- Silent fan
- Strong 5mm thick acrylic cover
- Thick 18mm High Density board
- 2 Stabilus® safety gas struts with brake
- Patented adjustable slots in back for jam free paper output
- CE Certification
- Internal dimensions (wxdxh): 760 x 580 x 425mm
- External dimensions (wxdxh): 900 x 754 x 474mm



Acoustic and toner dust hoods
PRINTER SOLUTIONS



PRINTER SOLUTIONS
 Acoustic and toner dust hoods



DFX.# 12.127



light grey

1045 x 685 x 885mm

41,4kg

805410121273

Dealer