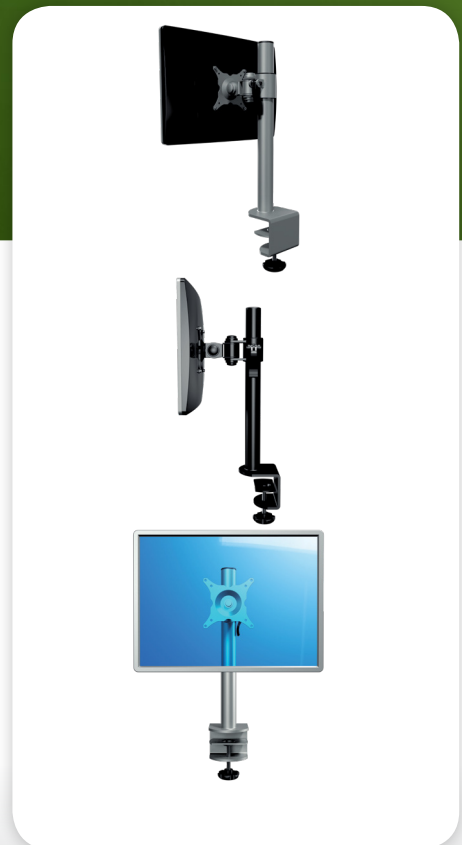


52.202

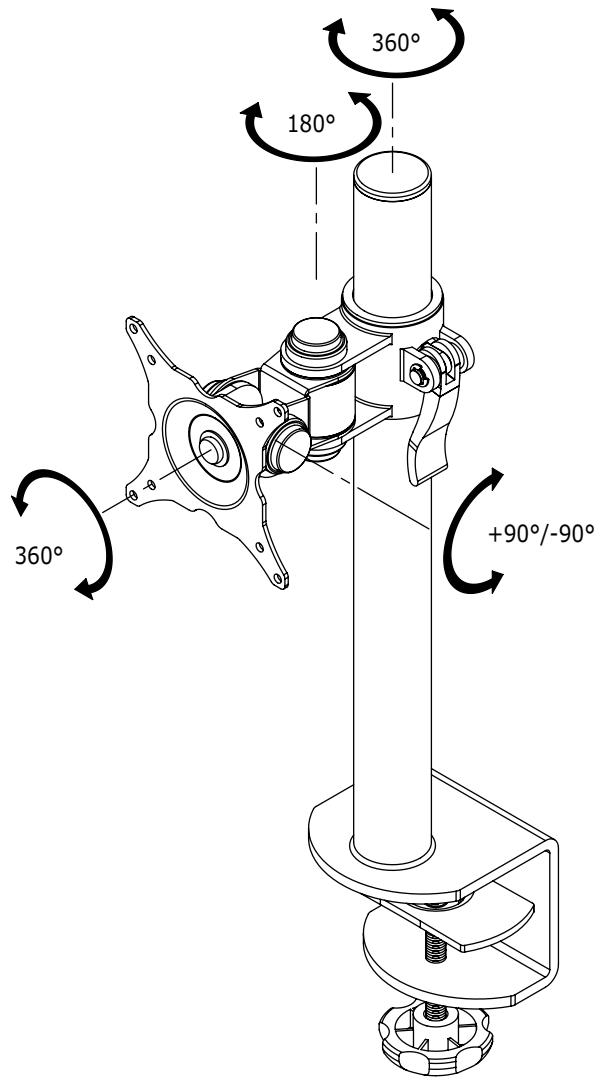
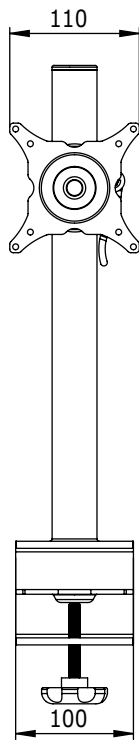
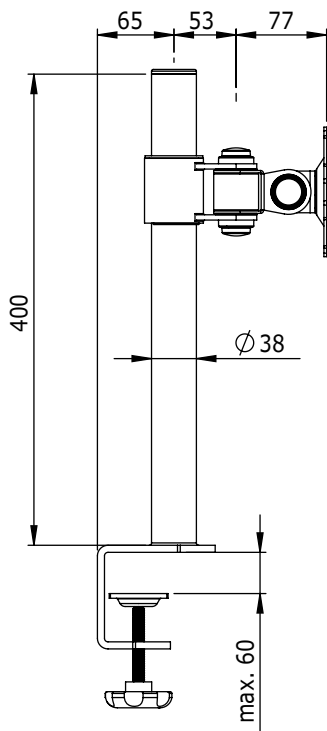
ViewMate Ecoline Monitor Arm 202

Tilt, rotate, swivel and adjust in height. This flat screen monitor arm also has an integrated desk clamp, enabling the arm to be mounted on almost every desktop up to 60mm thick.

- Height adjustable
- VESA: MIS-D 75 x 75/100 x 100mm compatible
- Rotate 360°, tilt 180°, lateral 180°
- Max. weight capacity of 15kg (up to 24"/24"W)
- Post height 400mm
- Post diameter 38mm
- Quick lock/release post bracket
- With integrated desk clamp
- Max. clamp capacity 60mm



 viewmate



DFX.# 52.202

silver

530 x 175 x 110mm

3,25kg

805410522025



24"W/61cm



15kg



400mm



180°



180°



360°



75/100mm

viewmate

Dealer