



53.110

ViewMaster M5 Monitor Arm 110

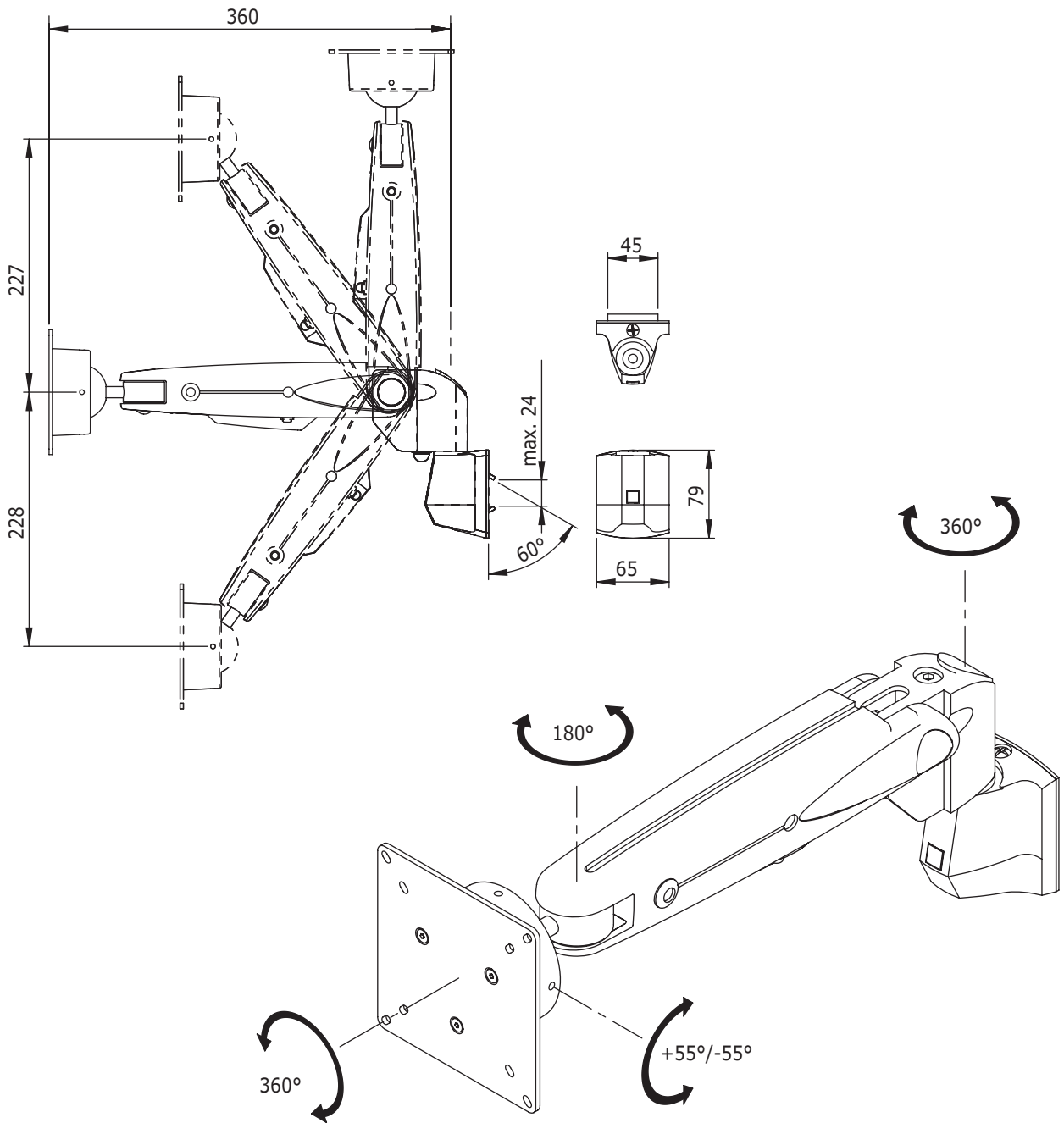
The ViewMaster M5 Slat Rail monitor arm is equipped with a slat rail adapter that can be easily mounted on almost every slat rail or toolbar. The unique clamping mechanism can be tightened or loosened simply by adjusting the Philips-head screw on top. The LCD arm itself is height adjustable over step less range of 455mm.

- Easily adjustable/removable wall mount for slat walls
- Built-in SUSPA® gas-spring
- Step less height adjustability of 455mm
- Integrated/concealed cable management
- Die-cast aluminium
- VESA: MIS-D 75 x 75/100 x 100mm compatible
- Rotate 360°, tilt 110°, lateral 180°
- Weight capacity: 2kg-12kg (up to 24"/24"W)
- Maximum reach: 360mm
- Touch screen stable
- Slat wall protecting nylon surface
- Clamp capacity 30mm
- Clamping bracket depth 8mm
- Hardened steel clamping brackets



ViewMaster





ViewMaster



DFX.# 53.110

silver

465 x 135 x 120mm

2,695kg

805410531102



24"W/61cm



2-12kg



455mm



+90°/-90°



+55°/-55°



360°



75/100mm

Dealer