



53.213

ViewMaster M5 Monitor Arm 213

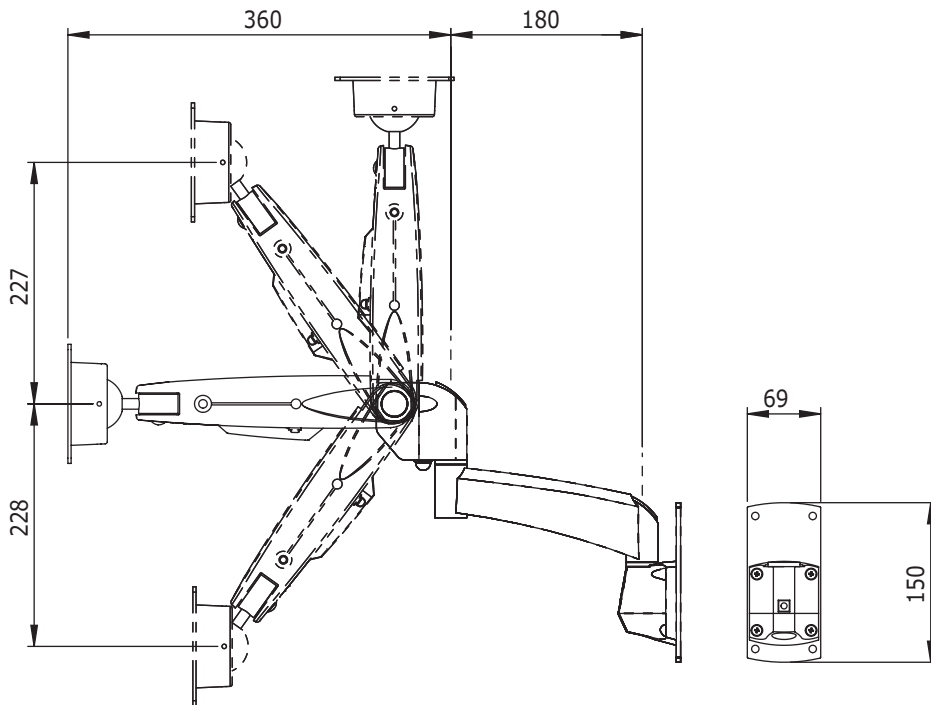
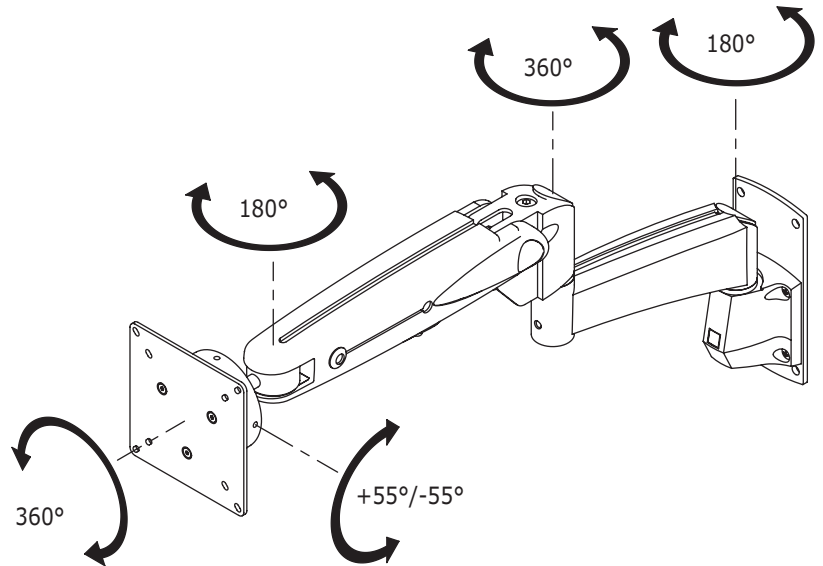
Widely used in IT, office and healthcare industry, these models, are popular for their high quality, design, user friendliness and efficacy. Winner of many international product tenders. The M5 gas spring and ball-joint combined with the extension for independent depth and height adjustment, provide its users with almost unlimited adjustment capabilities.

- Built-in SUSPA® gas-spring
- Step less height adjustability of 455mm
- Integrated/concealed cable management
- Die-cast aluminium
- Independent depth adjustment
- VESA: MIS-D 75 x 75/100 x 100mm compatible
- Rotate 360°, tilt 110°, lateral 180°
- Weight capacity: 2kg-12kg (up to 24"/24"W)
- Maximum reach: 540mm
- Three-dimensional movement
- Touch screen stable
- Comes with wallmount (see datasheet 53.032/53.033)

ViewMaster



ViewMaster



DFX.# 53.213

charcoal

510 x 285 x 135mm

3,725kg

805410532130



24"W/61cm



2-12kg



455mm



+90°/-90°



+55°/-55°



360°



75/100mm

Dealer