



53.413

ViewMaster M5 Monitor Arm 413

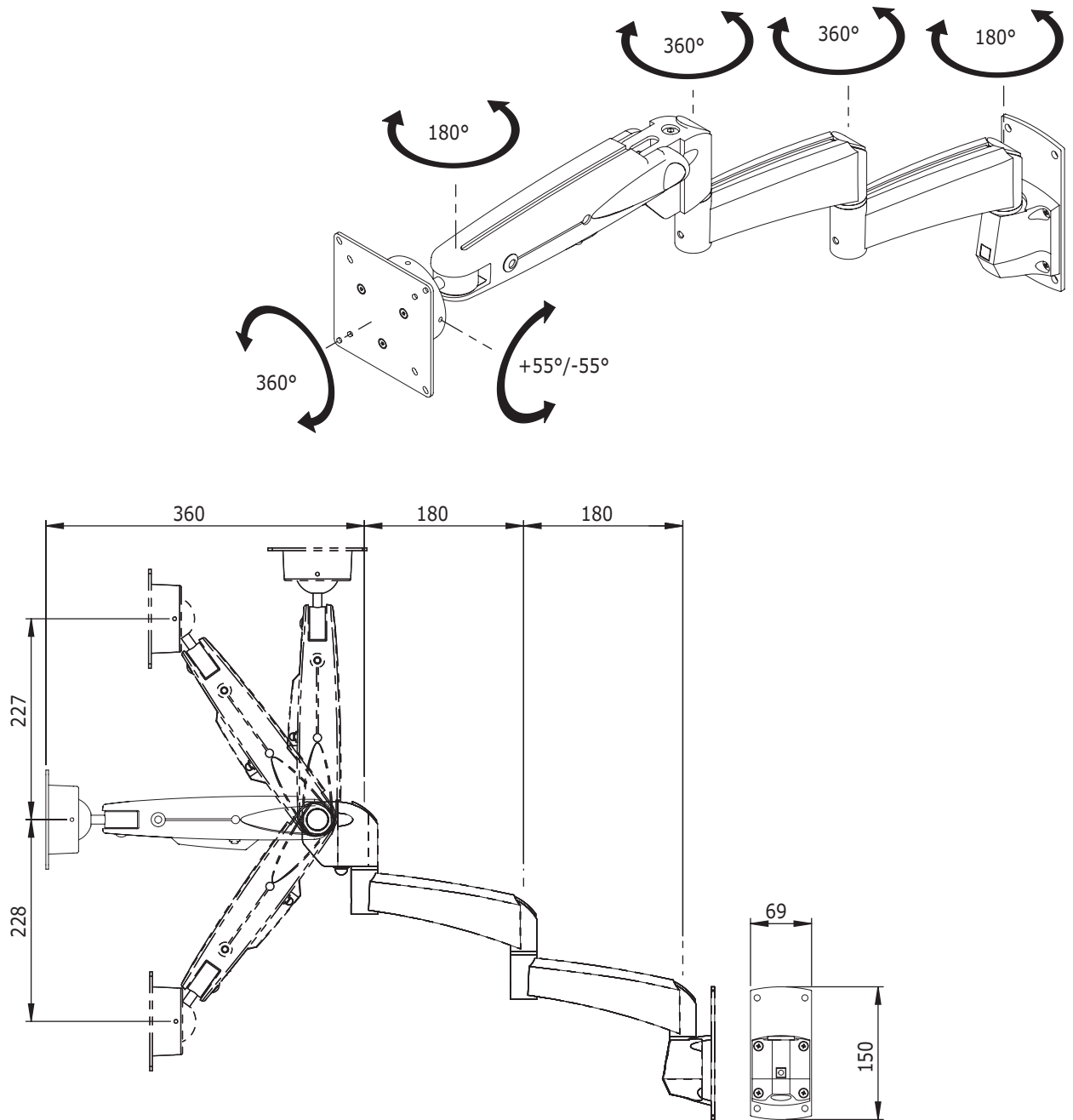
The double extension provides the user a maximum reach of 720mm. Featuring integrated and hidden cable management, this well balanced appliance is a great addition to any computer workplace or desk.

- Built-in SUSPA® gas-spring
- Step less height adjustability of 455mm
- Integrated/concealed cable management
- Die-cast aluminium
- Independent depth adjustment
- Extended range through two extensions (2 x 180mm)
- Maximum reach: 720mm
- VESA: MIS-D 75 x 75/100 x 100mm compatible
- Rotate 360°, tilt 110°, lateral 180°
- Weight capacity: 2kg-12kg (up to 24"/24"W)
- Three-dimensional movement
- Touch screen stable
- Comes with wallmount (see datasheet 53.032/53.033)

ViewMaster



ViewMaster



DFX.# 53.413

charcoal

505 x 285 x 130mm

4,325kg

805410534134



24"W/61cm



2-12kg



455mm



+90°/-90°



+55°/-55°



360°



75/100mm

Dealer

