



14.802

LTX Laser Printer Hood 802

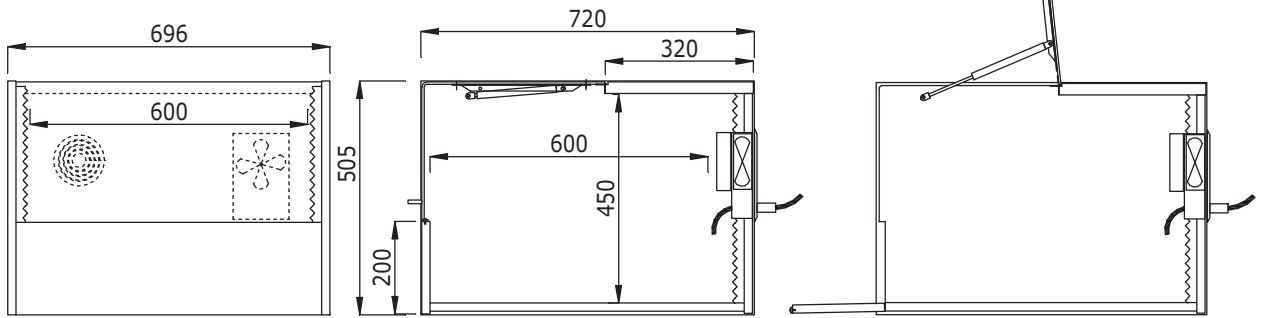
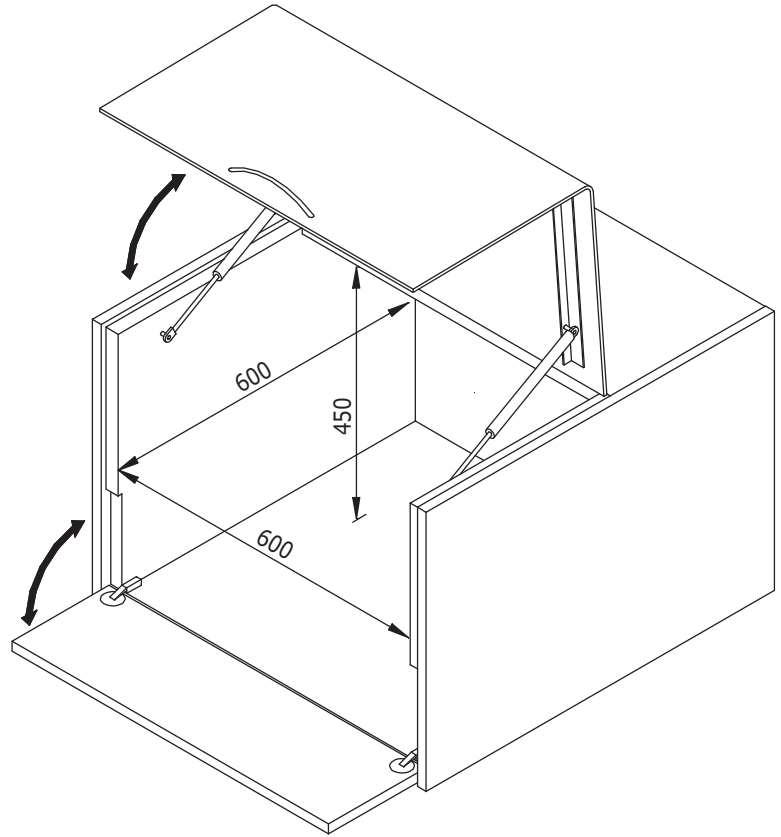
Protecting the user from both harmful toner and fine dust particles as well as ozone gases through a special filter, and reducing noise hindrance in the workplace by absorbing this noise inside the hood using acoustical foam. The LTX hoods also keep dust out, therefore protecting the printer and preventing the over saturation of the toner and fine dust filter with 'normal' dust.

- Suitable for Laser printers
- Lowers the output of harmful toner and fine dust particles produced by laser printers
- With interchangeable toner/ozone/fine dust particle filter and dust filter
- Acoustic foam reduces noise below 43 dB (A) (European directive)
- Silent outward blowing fan
- Strong 5mm thick acrylic cover
- Sturdy steel lid supports
- Thick 18mm High Density board
- 2 Stabilus® safety gas struts with brake
- CE Certification
- Internal dimensions (wxdxh): 600 x 600 x 450mm
- External dimensions (wxdxh): 696 x 720 x 505mm



Acoustic and toner dust hoods
PRINTER SOLUTIONS

int. 600 x 600 x 450mm
ext. 696 x 720 x 505mm



PRINTER SOLUTIONS
Acoustic and toner dust hoods



DFX.# 14.802



light grey



770 x 800 x 580mm



0



805410148027



Dealer