

## KVR4X32-60ET/16

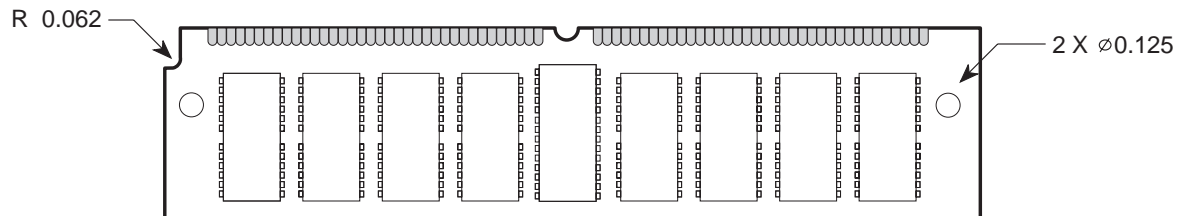
### 72-Pin SIMM EDO Memory Module

#### DESCRIPTION:

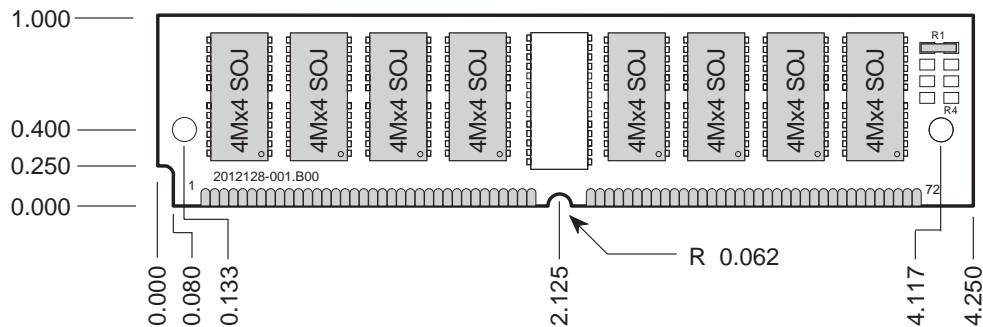
This document describes ValueRAM's 4M x 32-bit (16MB) EDO (Extended Data Output) 72-Pin SIMM (Single In-line Memory Module). The components on this module include eight 4M x 4-bit EDO DRAM (2K Refresh) in SOJ packages. This 60ns SIMM is a +5 volt design with tin contact fingers. The electrical and mechanical specifications are as follows:

#### FEATURES:

✓ Timing Parameter	60ns
✓ RAS Access Time ( $t_{RAC}$ )	60ns
✓ Column Address Access Time ( $t_{AA}$ )	30ns
✓ Cycle Time ( $t_{RC}$ )	104ns
✓ Hyper Page Cycle Time ( $t_{HPC}$ )	25ns
✓ Pulse Width ( $t_{RAS}$ )	60ns (min.) 10,000ns (max.)
✓ Single Power Supply of	+5V (+/- 10%)
✓ Low Power	4.84 W (operating) 88 mW (max. standby)
✓ UL Rating	94 V - 0



**Note:** All measurements are in decimal inches.



**Figure 1: KVR4X32-60ET/16**