

KVR266X72RC2/1G

1024MB 128M x 72-Bit DDR266

CL2 Registered 184-Pin ECC DIMM

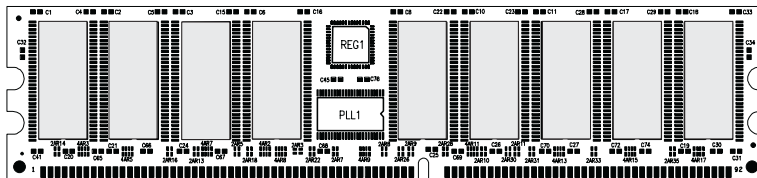
DESCRIPTION:

This document describes ValueRAM's 128M x 72-bit (1024MB) DDR266 CL2 SDRAM (Synchronous DRAM) Registered ECC memory module. The components on this module include eighteen stacked 128M x 4-bit (thirty-six 64M x 4-Bit) DDR266 SDRAM and three 16-bit drivers in TSSOP packages. This 184-pin DIMM uses gold contact fingers and requires +2.5V. The electrical and mechanical specifications are as follows:

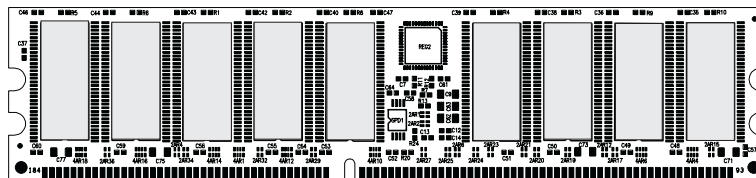
FEATURES:

- ✓ Clock Cycle Time (tCK) 7.5ns (min.) / 12ns (max.)
- ✓ Row Cycle Time (tRC) 65ns (min.)
- ✓ Refresh Row Cycle Time (tRFC) 75ns (min.)
- ✓ Row Active Time (tRAS) 45ns (min.) / 120,000ns (max.)
- ✓ Single Power Supply of +2.5V (+/- .25V)
- ✓ Power (IDD0) 9.985 W (operating)
- ✓ UL Rating 94 V - 0

Note: The module defined in this data sheet is one of several configurations available under this part number. While all configurations are compatible, the DRAM combination and/or the module height may vary from what is described here. However, in no configuration will the module height exceed 1.700" (43.18mm).



COMP SIDE



SOLDER SIDE- MIRRORED

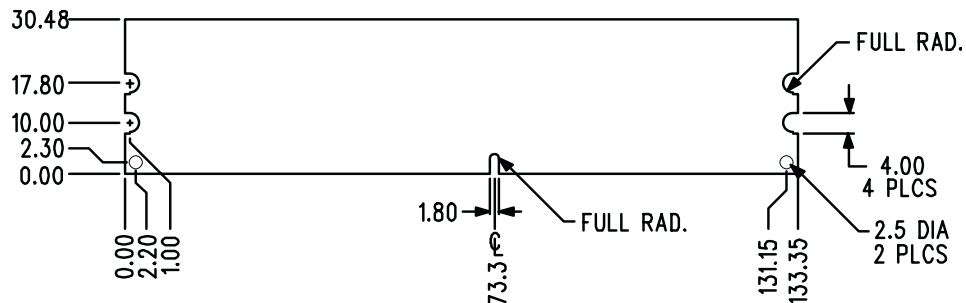


Figure 1: KVR266X72RC2/1G 184-Pin DIMM