

53.012

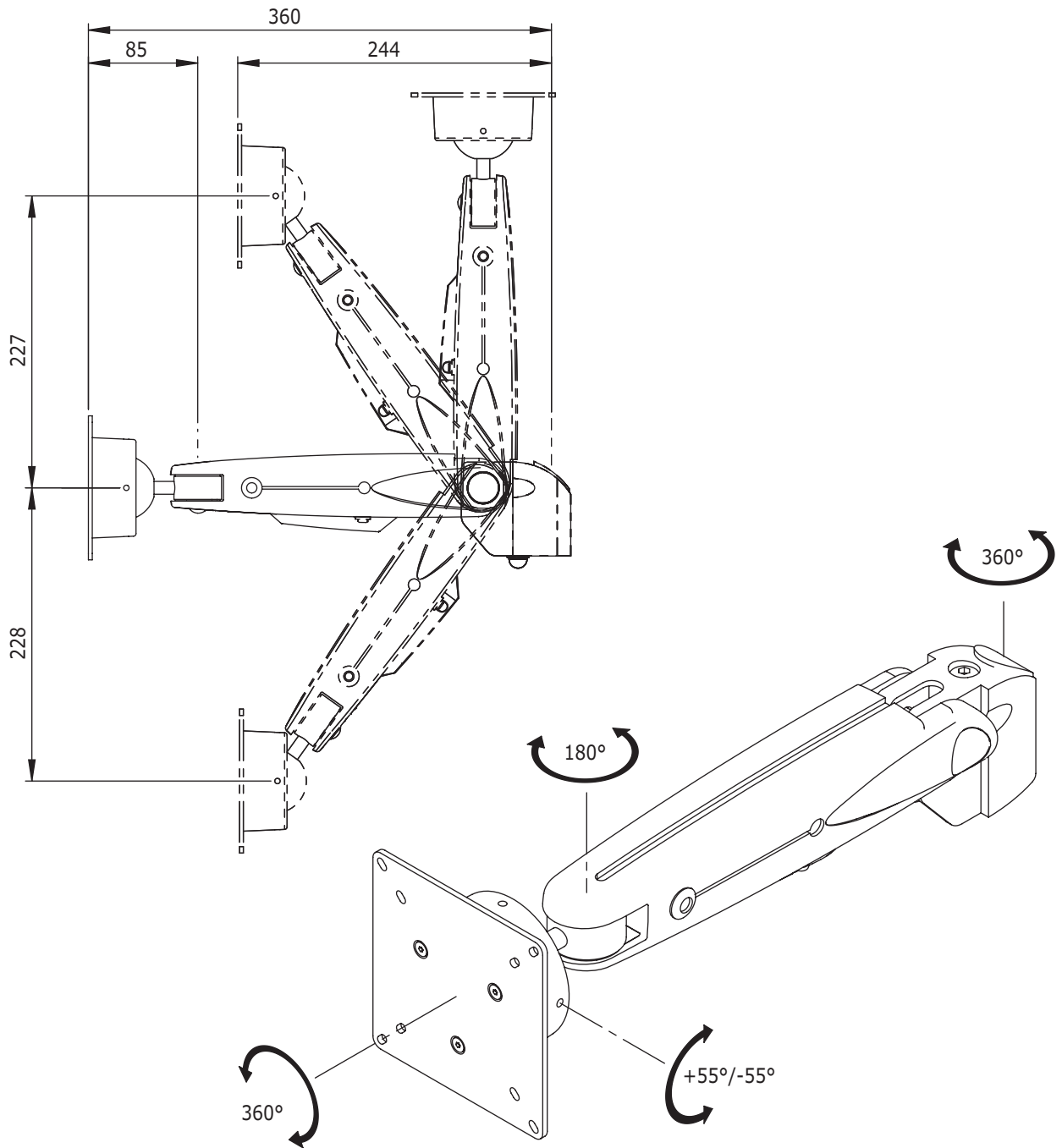
ViewMaster M5 Monitor Arm 012

The arms are made of strong, die-cast aluminium and are built to last a life time. The main body contains a small swiveling arm holding the ball joint attachment which renders complete 3-dimensional movability to the VESA MIS-D (75/100mm) mount.

- Built-in SUSPA® gas-spring
- Step less height adjustability of 455mm
- Integrated/concealed cable management
- Die-cast aluminium
- VESA: MIS-D 75 x 75/100 x 100mm compatible
- Rotate 360°, tilt 110°, lateral 180°
- Weight capacity: 2kg-12kg (up to 24"/24"W)
- Maximum reach: 360mm
- Three-dimensional movement
- Touch screen stable
- To be mounted on several ViewMaster Modular components



ViewMaster



ViewMaster



DFX.# 53.012

silver

465 x 140 x 120mm

2,04kg

805410530129



53.022
53.032
53.037



24"W/61cm



2-12kg



455mm



+90°/-90°



+55°/-55°



360°



75/100mm

Dealer