

CREATES SEAMLESS JOIN BETWEEN POLES

BT5923

INTERNAL POLE JOINER FOR Ø38MM POLES

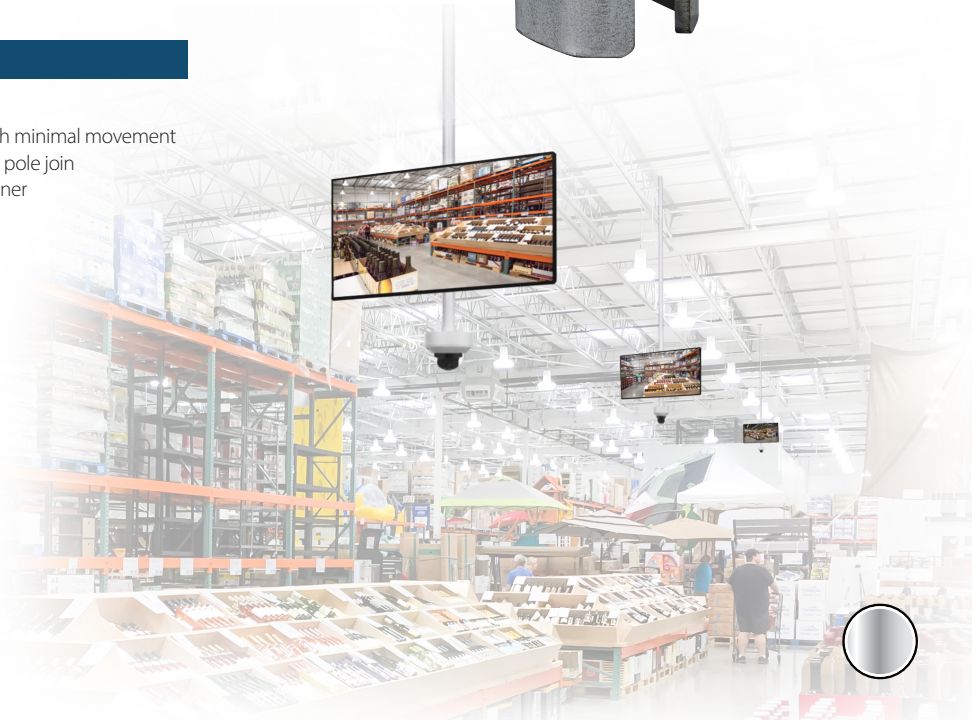
The BT5923 is an internal joining kit for Ø38mm poles which is designed to extend the drop of System V installations. The joiner is made from 4mm thick heavy duty steel, which easily bolts to the inside of BT5935 poles to create a rigid, seamless join whilst still allowing cables to pass through unimpeded.

SPECIFICATION

Steel thickness 4mm

FEATURES

- Allows a rigid internal join of 2x Ø38mm poles
- Heavy duty steel supports substantial loads with minimal movement
- Hidden from view once installed for a seamless pole join
- Allows cables to pass through the poles and joiner
- Two-piece design for a quick install



Attaches directly to BT5935 ø38mm poles



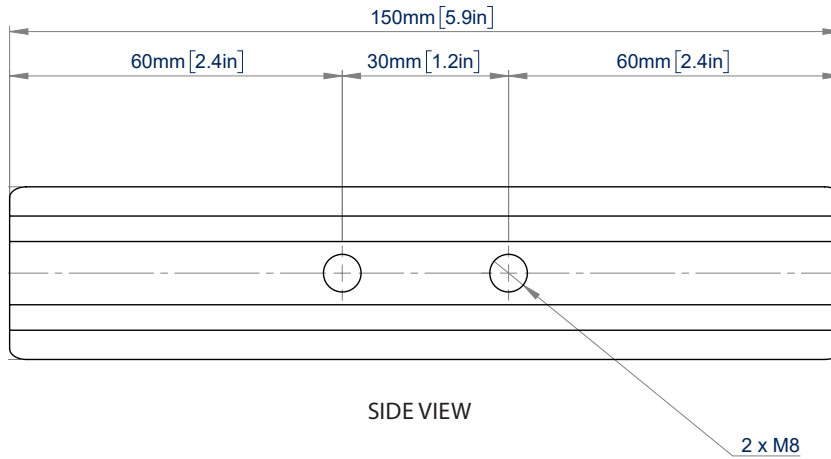
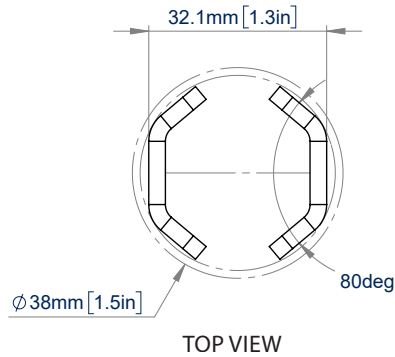
Hidden from view once installed for a seamless pole join



Two-piece design for a quick install



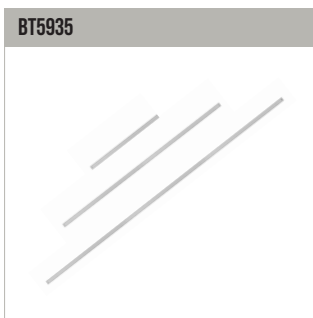
Heavy duty steel supports substantial loads with minimal movement



PACKING INFORMATION

COLOUR:	ORDER REF:	EAN CODE:	MASTER CARTON QTY:	INNER CARTON QTY:	MASTER CARTON WEIGHT:	MASTER CARTON CUBE:
Zinc	BT5923-Z	5019318306877	1	0	0.293kg	0.0013cbm

RELATED PRODUCTS



38mm diameter poles
Available in 1, 2 or 3 metre lengths



Fixed Ceiling Mount
Mounts BT5935 ø38mm poles from the ceiling



Dome Security Camera Mount
Carousel mount for small / medium dome CCTV cameras



1m drop CCTV Ceiling Mount
CCTV Ceiling Mount with 2m drop - For small-medium dome security cameras

© 2015 B-Tech Professional Design & Manufacturing Ltd. All rights reserved.
The information in this specification is for reference only. It is not intended to be used as a substitute for the manufacturer's instructions. The information in this specification is subject to change without notice. B-Tech Professional Design & Manufacturing Ltd. is not responsible for any damage or loss of data caused by improper use of the information provided in this specification. Any reproduction or transmission of any part of this specification is strictly prohibited unless prior written permission has been granted by B-Tech Professional Design & Manufacturing Ltd. Ltd.

SS-V1-BT5923-Z-180522-EN