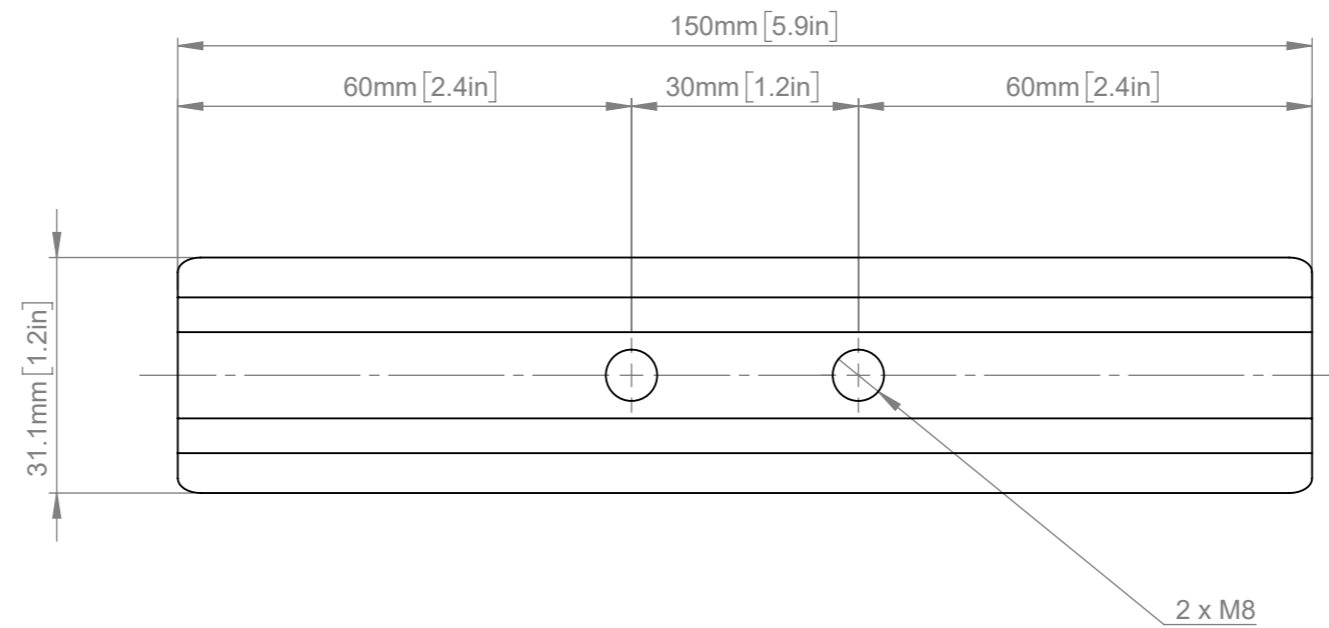
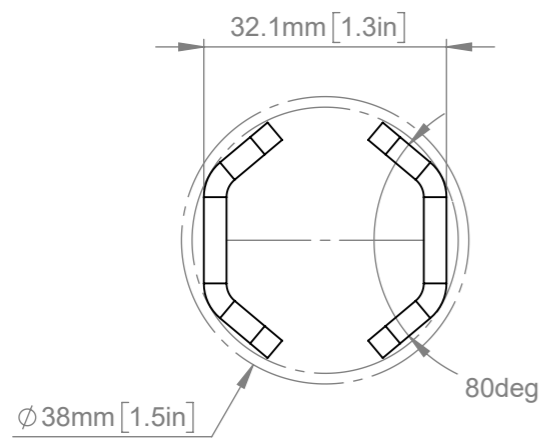


ISOMETRIC VIEW



B-Tech International Design & Manufacturing Limited
 Part of the B-Tech International Group

B-Tech No: BT5923

Title: Internal Pole Joiner for Ø38mm Poles



UNLESS OTHERWISE SPECIFIED DIMENSIONS ARE IN MILLIMETERS

Size: A3

Scale: 1:1

Sheet: 1 of 1

Revision: R00

Date: 22/03/2022

File Name: BTD-BT5923