



**SIMPLE
 'HOOK-ON'
 INSTALLATION**

BT7362

DESK STAND

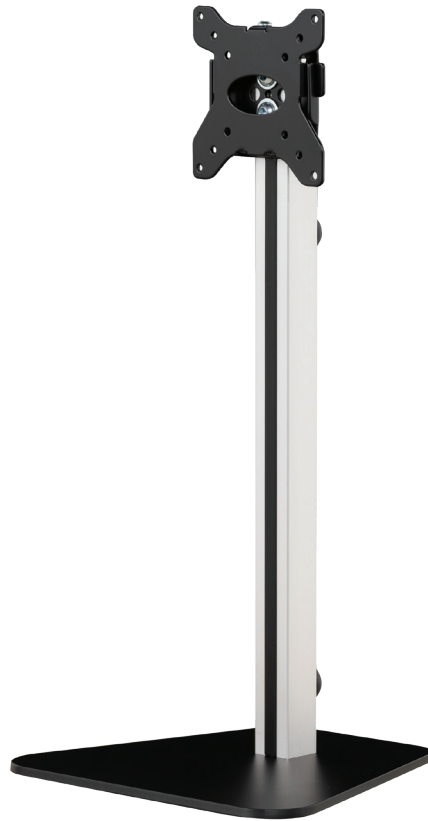
The BT7362 desk stand is suitable for use with screens up to 32" and a max weight of 10kg. The stand can easily be placed on a desk and the integrated cable management ensures a neat and tidy installation. The stand also features rubber feet that help to protect the desk from unwanted scratches or marks.

SPECIFICATION

Recommended screen size	up to 32"
Max load	10kg
VESA® compatibility	50 x 50 up to 100 x 100
Dimensions	W: 251mm H: 511mm D: 230mm
Base thickness	3mm
Colour (Base / Mount)	Black
Colour (Column)	Silver

FEATURES

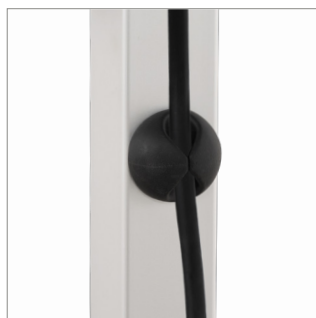
- Security locking screws and allen key provided help prevent unauthorised removal of screen
- Screen mount can be positioned at any height on a column
- Freestanding, ideal for hot-desking or working from home
- Screen can be mounted in either landscape or portrait
- Suitable for 50 x 50, 75 x 75 and 100 x 100 VESA fixings
- High-end aesthetic quality
- Rubber feet to protect desk
- Integrated cable management
- Simple 'hook-on' installation



32" 81cm VESA 100 10KG



Rubber feet protect the desk from marks and scratches



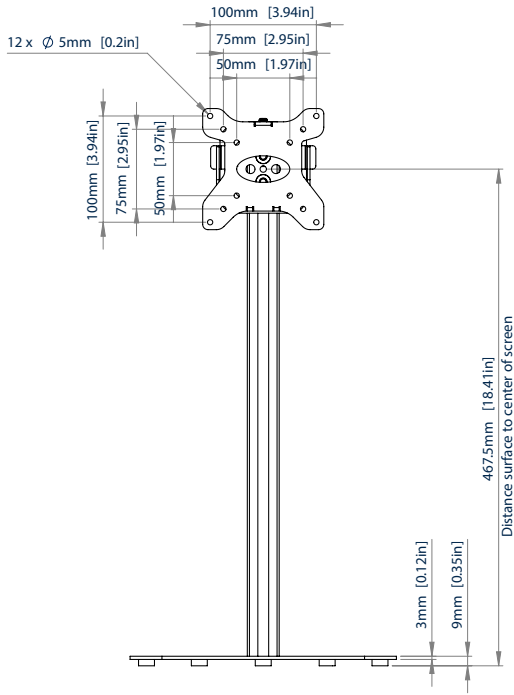
Integrated cable management for a neat and tidy installation



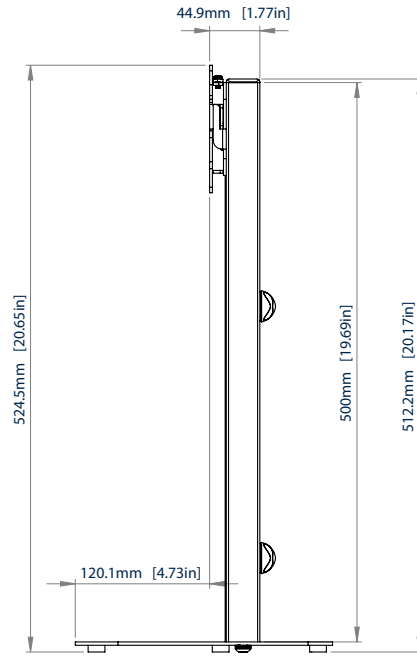
Security locking screw helps prevent unauthorised removal of the screen



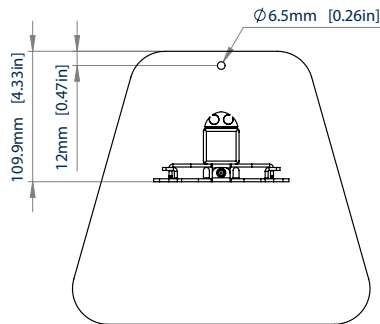
Screen can be mounted in portrait or landscape up to VESA 100 x 100



FRONT VIEW



SIDE VIEW



TOP VIEW

PACKING INFORMATION

COLOUR:	ORDER REF:	EAN CODE:
Black/Silver	BT7362	5019318306945

ORIGINAL DESIGNS BY B-TECH AV MOUNTS - REGISTERED DESIGNS & PATENTS APPLY

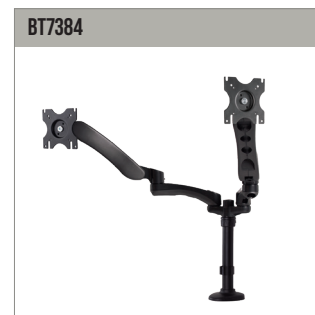
RELATED PRODUCTS



BT7372
Single Arm Premium Desk Mount
designed for screens up to 28"



BT7373
Double Arm Premium Desk Mount
designed for screens up to 28"



BT7384
Full Motion Twin Screen Desk Mount
for screens up to 32"



BT7363
Desk Stand With Tilt designed for screens
up to 32"

© 2022 B-Tech International Design & Manufacturing Ltd. All rights reserved.
B-Tech, B-Tech logo, B-Tech AV MOUNTS, B-Tech Professional, B-Tech logo and the B-Tech logo are registered trademarks of B-Tech International Design & Manufacturing Ltd.
All other trademarks and product names are the property of their respective owners. All B-Tech images and symbols are the sole property of B-Tech International Design & Manufacturing Ltd.
Specifications are subject to change without prior notice. All dimensions are in millimeters unless otherwise specified. B-Tech International Design & Manufacturing Ltd. is not responsible for any errors or omissions.

SS-V1-BT7362-300622