



**SIMPLE
 'HOOK-ON'
 INSTALLATION**

BT7363

DESK STAND WITH TILT

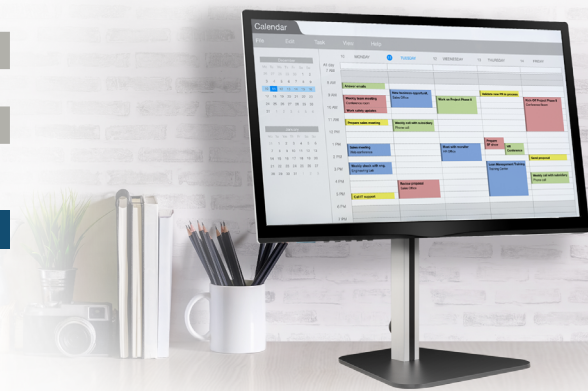
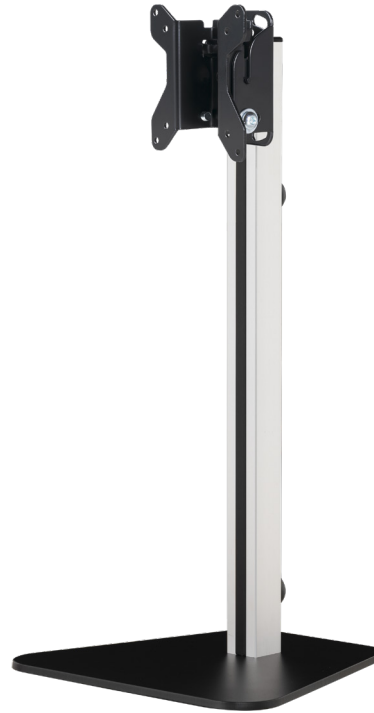
The BT7363 universal desk stand with tilt is suitable for use with screens up to 32" and a max weight of 10kg. The stand can easily be placed on a desk and the integrated cable management ensures a neat and tidy installation. The stand also features easy tilt adjustment of the display and rubber feet on the base that help to protect the desk from unwanted scratches or marks.

SPECIFICATION

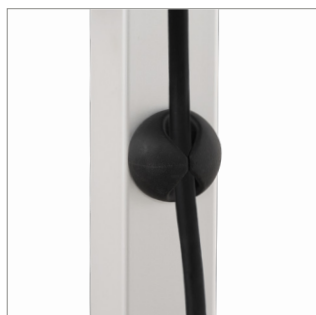
Recommended screen size	up to 32"
Max load	10kg
VESA® compatibility	75 x 75 & 100 x 100
Tilt	+17°/-10°
Dimensions	W: 251mm H: 511mm D: 230mm
Base Thickness	3mm
Colour (Base / Mount)	Black
Colour (Column)	Silver

FEATURES

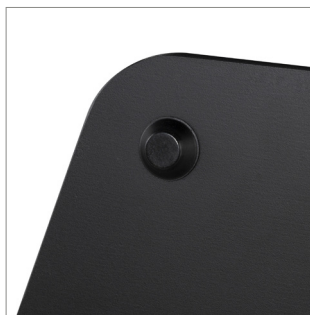
- Security locking screws and allen key provided help prevent unauthorised removal of screen
- Freestanding, ideal for hot-desking or working from home
- Screen can be mounted in either landscape or portrait
- Easy tilt adjustment of display
- Suitable for 75 x 75 and 100 x 100 VESA fixings
- High-end aesthetic quality
- Rubber feet to protect desk
- Integrated cable management
- Simple 'hook-on' installation



Easy tilt adjustment of +17°/-10°



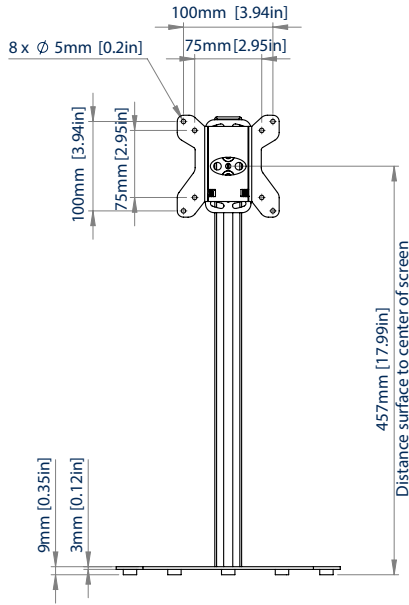
Integrated cable management for a neat and tidy installation



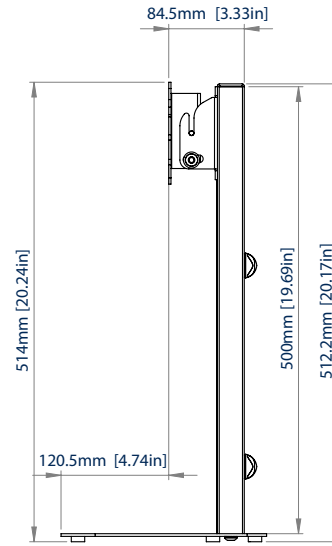
Rubber feet on the base help protect the desk from unwanted scratches



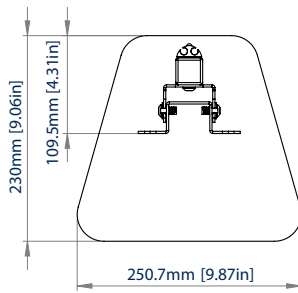
Screen can be mounted in portrait or landscape up to VESA 100 x 100



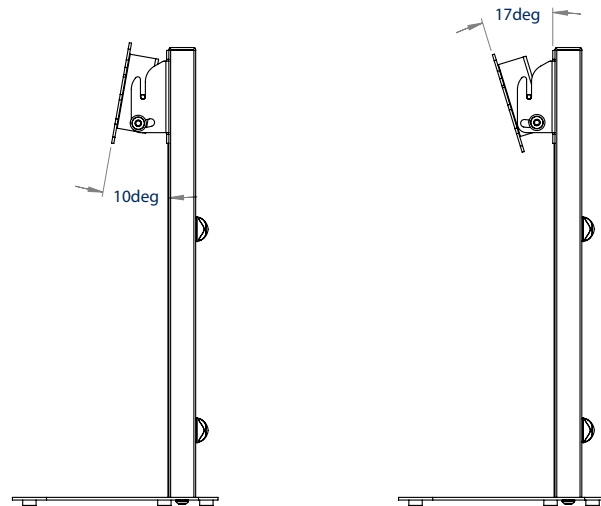
FRONT VIEW



SIDE VIEW



TOP VIEW



TILTED RANGE - SIDE VIEW

PACKING INFORMATION

COLOUR:	ORDER REF:	EAN CODE:
Black/Silver	BT7363	5019318758867

ORIGINAL DESIGNS BY B-TECH AV MOUNTS - REGISTERED DESIGNS & PATENTS APPLY

RELATED PRODUCTS



BT7372
Single Arm Premium Desk Mount
designed for screens up to 28"



BT7373
Double Arm Premium Desk Mount
designed for screens up to 28"



BT7374
Twin Flat Screen Desk Mount with Dual
Articulated Arms for screens up to 28"



BT7362
Desk Stand designed for screens up to 32"

© 2022 B-Tech International Design & Manufacturing Ltd. All rights reserved.
We reserve the right to change the technical specifications without prior notice. The B-Tech name and the B-Tech logo are registered trademarks of B-Tech International Design & Manufacturing Ltd.
All other brands and product names are trademarks of their respective owners. All fit, cut, images and symbols are the sole property of B-Tech International Design & Manufacturing Ltd.
Specifications are subject to change without prior notice. Permission to copy is granted by B-Tech International Design & Manufacturing Ltd. B-002.

SS-VI-BT7363-300622