

VB-STND-008

User Guide



IMPORTANT: Please read this User Guide to obtain important information on installing and using your product in a safe manner, as well as registering your product for future service. Warranty information contained in this User Guide will describe your limited coverage from ViewSonic® Corporation, which is also found on our web site at <http://www.viewsonic.com> in English, or in specific languages using the Regional selection box in the upper right corner of our website.

Model No. VS18670
P/N: VB-STND-008

Thank you for choosing ViewSonic®

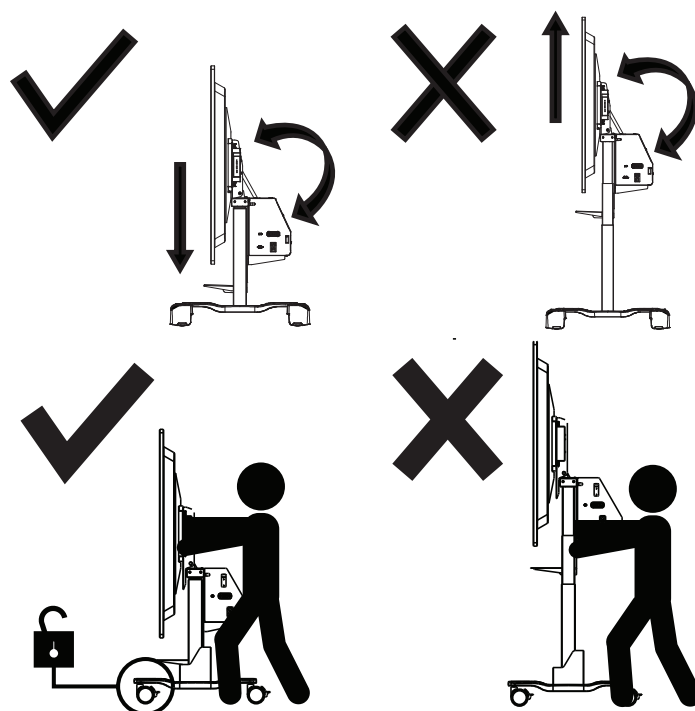
As a world-leading provider of visual solutions, ViewSonic® is dedicated to exceeding the world's expectations for technological evolution, innovation, and simplicity. At ViewSonic®, we believe that our products have the potential to make a positive impact in the world, and we are confident that the ViewSonic® product you have chosen will serve you well.

Once again, thank you for choosing ViewSonic®!

Safety Precautions

Please read the following **Safety Precautions** before you start using the device.

- Keep this user guide in a safe place for later reference.
- Read all warnings and follow all instructions.
- To prevent damage, avoid any physical pressure, vibration, or immersion during transportation, possession, or installation of the product.
- Always place the product on a flat, stable surface.
- Avoid contacting any liquids, gas, or corrosive materials with the shell of the product.
- This product has no parts which can be repaired by the user. Any damage caused by the user's own disassembly is not covered by warranty.
- This product is special use with ViewSonic® commercial Touch Display only, Use with other model is capable of resulting in instability causing possible injury.
- This product is only compatible with panels up to a maximum size of **86"**.
- The maximum weight loading of this product is **75kgs (165lbs)**.
- Avoid the following to prevent the personal injury and/or equipment damage:
 - » Children **MUST NOT** operate plant or machinery.
 - » **KEEP AWAY** from moving parts to avoid injury.
 - » **DO NOT** move the cart with the lift in the highest position.
 - » **DO NOT** push the cart from the front or attempt to lift it.
 - » **DO NOT** move the cart by pushing on the IFP/panel.
 - » **DO NOT** move the cart over cords or uneven, dirty, and/or slopes.




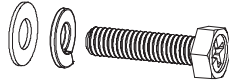
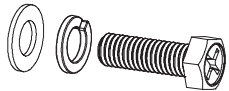
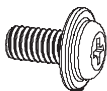
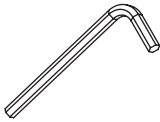


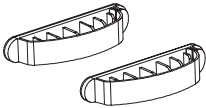

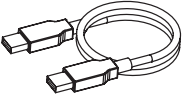


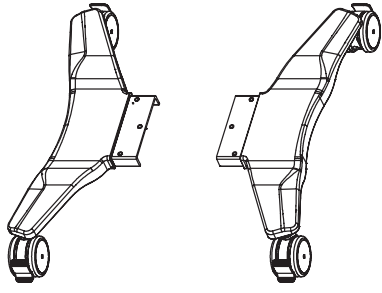
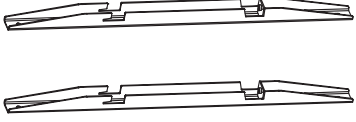
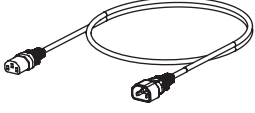
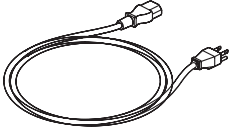
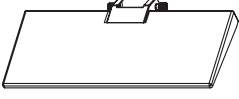
Contents

Safety Precautions.....	3
Introduction	5
Package Contents	5
Product Overview	7
Front and Side View	7
I/O Ports and Controls	7
Control Pad.....	8
Initial Setup.....	9
Assembling the Product	9
Storing the Caster Covers	17
Making Connections.....	18
Connecting to Power	18
Connecting to the Control Pad	19
Connecting to the IFP	20
Controlling the Lift	21
Using the Trolley Cart or Control Pad	21
Using the app on the IFP.....	22
Appendix.....	24
Specifications.....	24
Troubleshooting	25
Regulatory and Service Information	26
Compliance Information.....	26
FCC Compliance Statement.....	26
Industry Canada Statement.....	26
CE Conformity for European Countries.....	26
Declaration of RoHS2 Compliance.....	27
Indian Restriction of Hazardous Substances	28
Product Disposal at End of Product Life	28
Copyright Information	29
Customer Service.....	30
Limited Warranty	31
Mexico Limited Warranty.....	34

Introduction

Package Contents

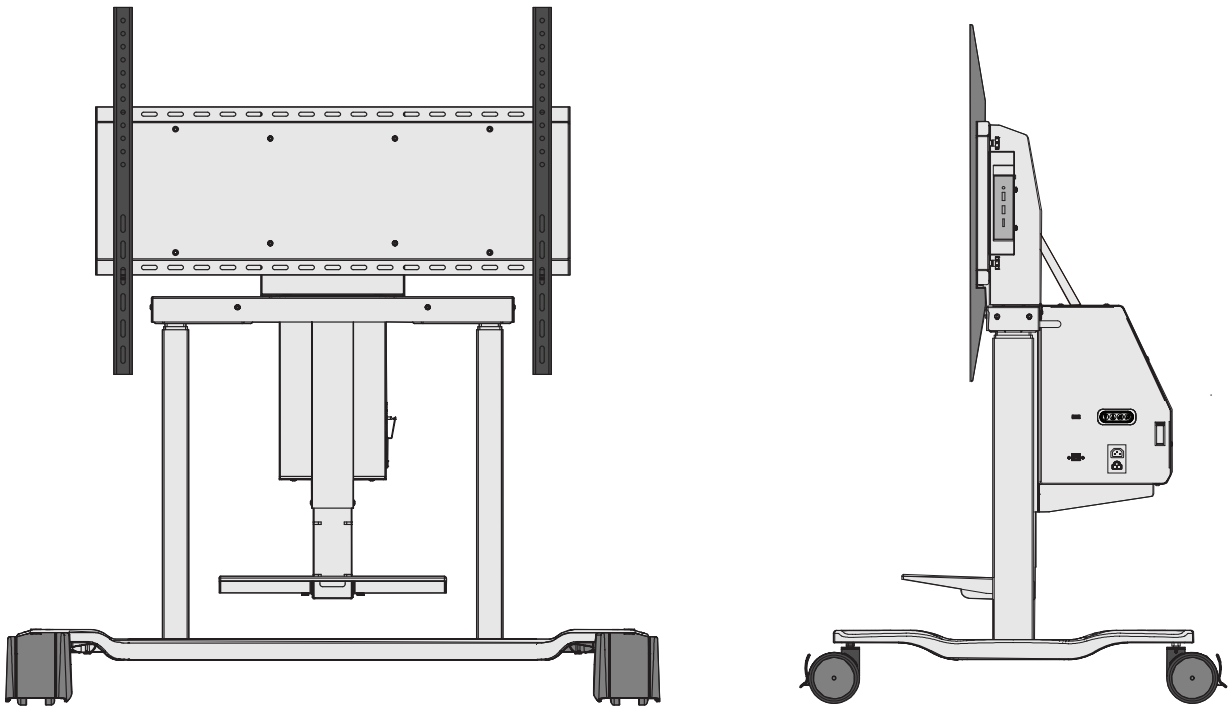
Letter	Item	Quantity	Description	Note
A		2	Bolts	M6 x 14mm
B		6	Nuts	M8
C		4	Bolts	M5 x 25mm
D		4	Bolts	M6 x 25mm
E		4	Bolts	M8 x 25mm
F		4	Bolts	M4 x 8mm
G		1	Hex Tool	4mm
H		1	Wrench	
I		4	Caster Covers	Left Covers x2 Right Covers x2
J		2	Attachable Cord Clamps	
K		1	Control Pad	
L		1	USB Type A to USB Type A cable	

Letter	Item	Quantity	Description	Note
M		2 (one per side)	Trolley Bases	
N		2	Mounting Brackets	
O		1	Power Extension Cord	
P		1	Power Cord	
Q		1	Keyboard Tray	

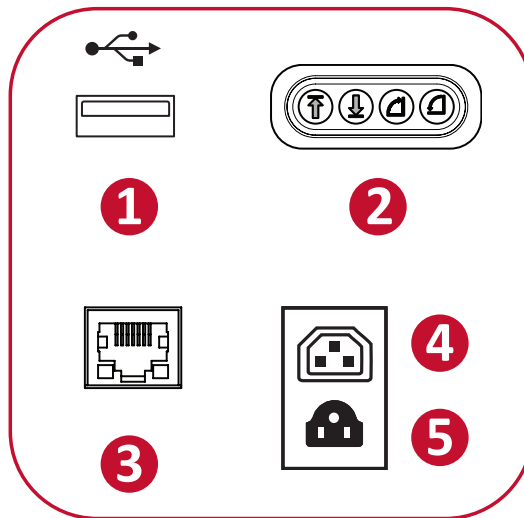
NOTE: The power cord included in your package may vary depending on your country. Please contact your local reseller for more information.

Product Overview

Front and Side View



I/O Ports and Controls

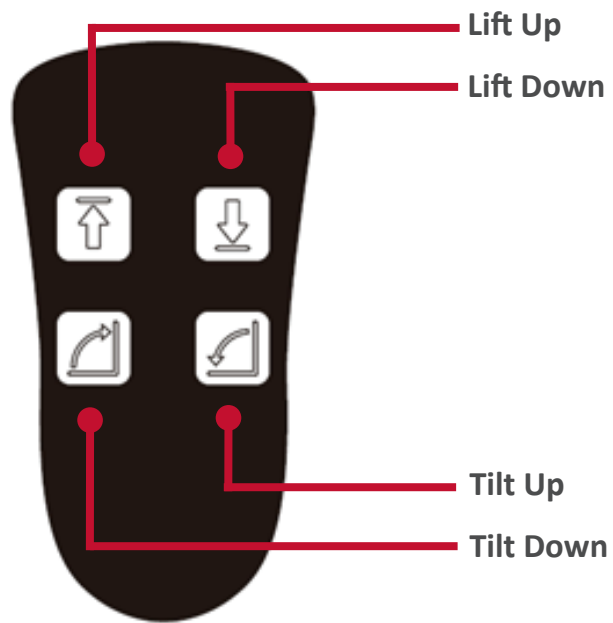


Label	Port	Description
1	USB A ¹	USB A Port
2	Lift Up/Down, Tilt Up/Down Buttons	Adjust Lift Height
3	RJ45 ²	RJ45 Port
4	AC Out	Power Output Socket
5	AC In	Power Input Socket

¹ Only use the USB-A port to connect with IFP. Lift can be controlled via the app on the IFP.

² Only use the RJ45 port to connect with the Control Pad.

Control Pad

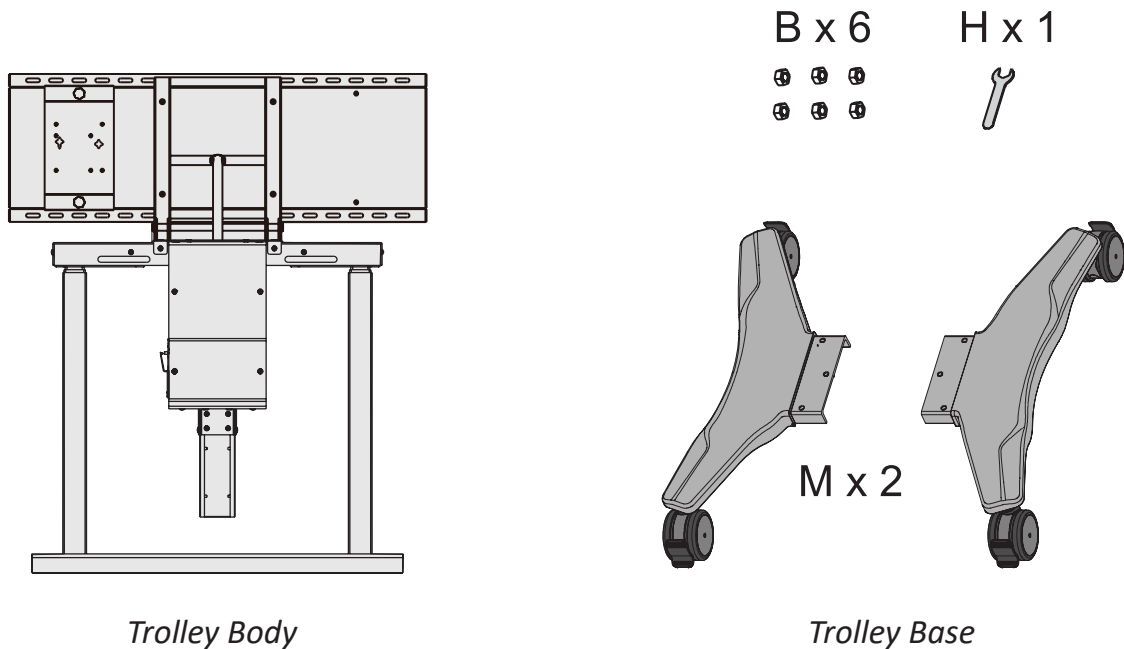


Initial Setup

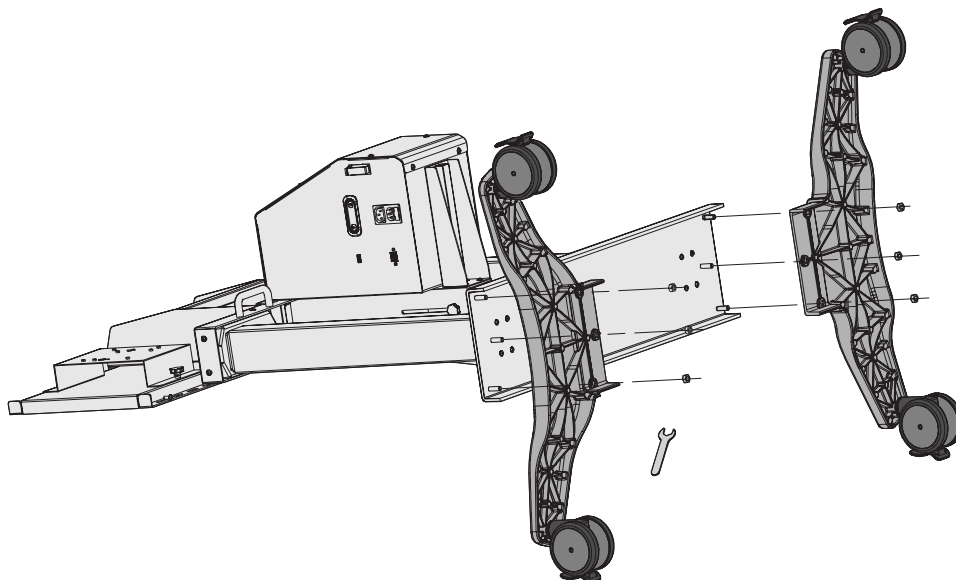
Assembling the Product

Step 1

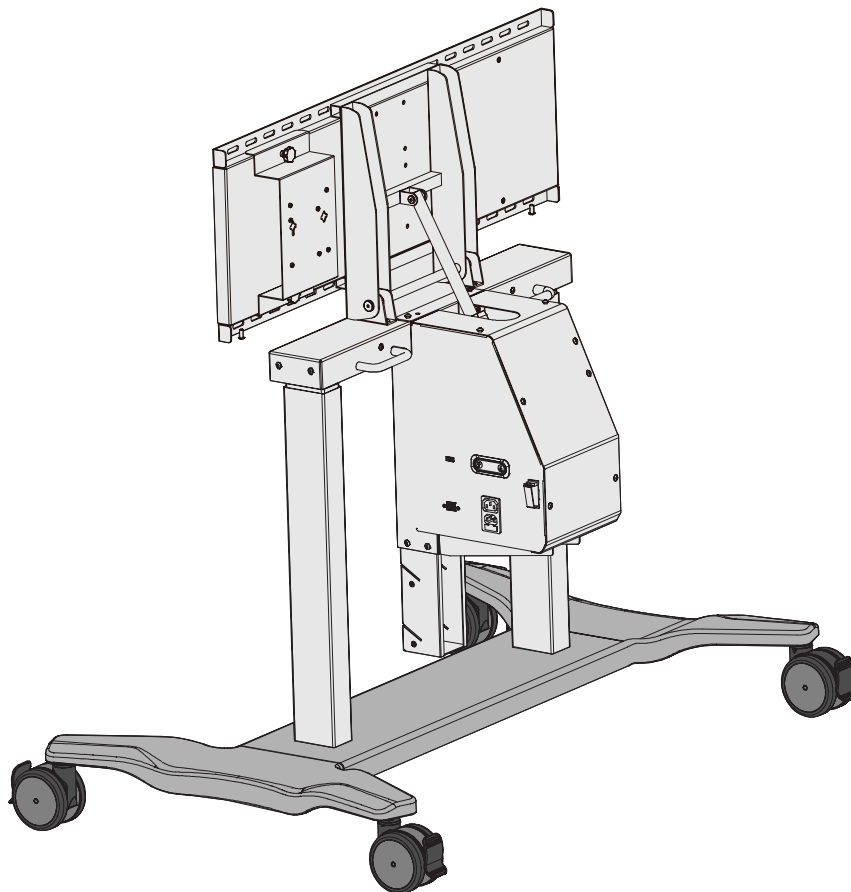
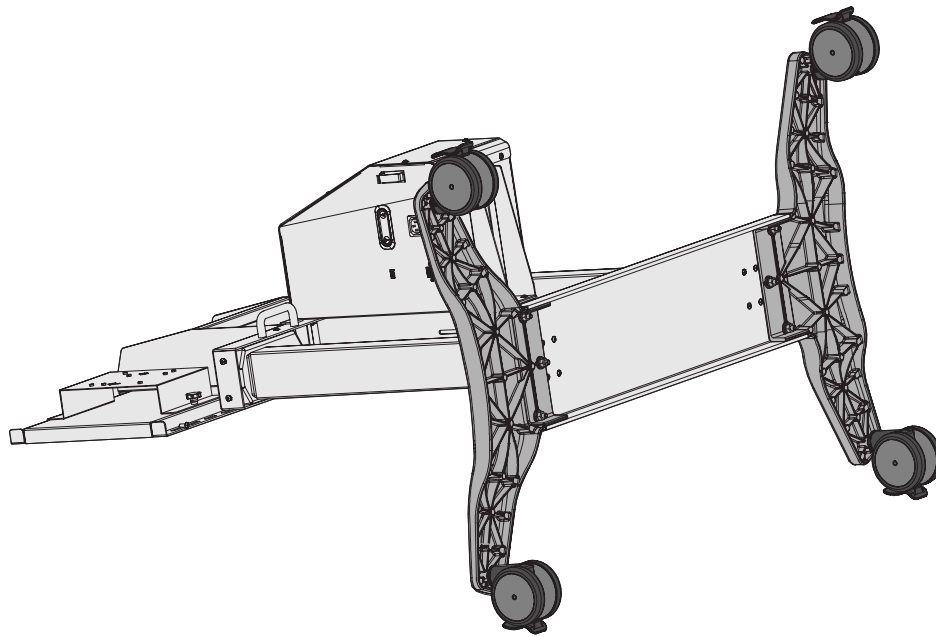
1. Prepare the following items:



2. Align the three holes on the Trolley Base (M) to the bolts underneath the Trolley Body. Using the wrench (H), secure the Trolley Base to the Trolley Body with the nuts (B).



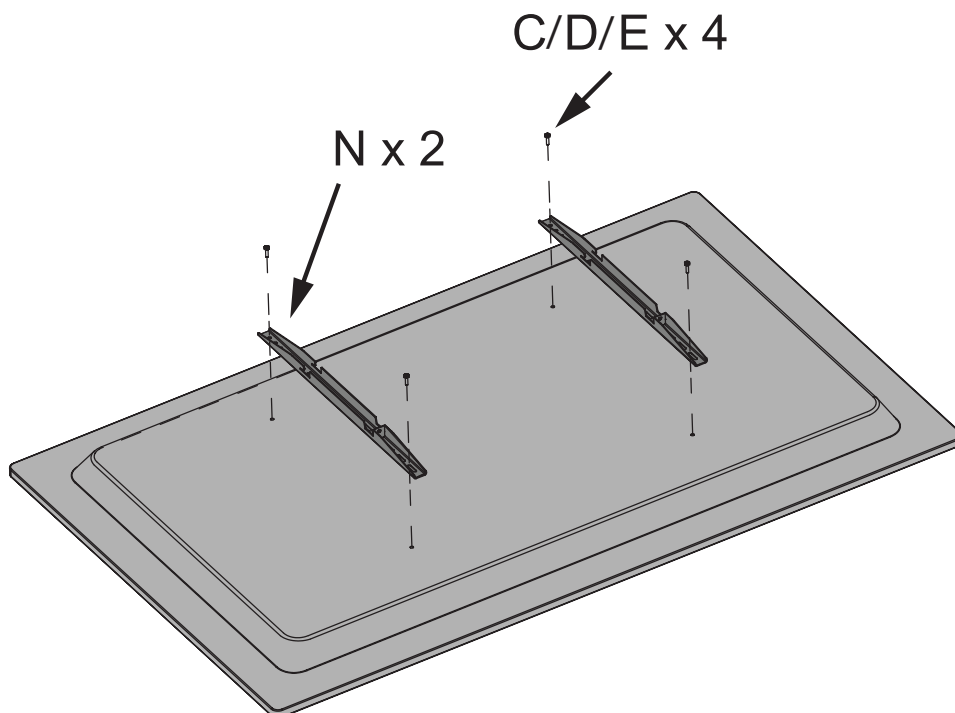
3. Ensure all nuts are tightened properly on the assembled Trolley Cart.



Trolley Cart

Step 2

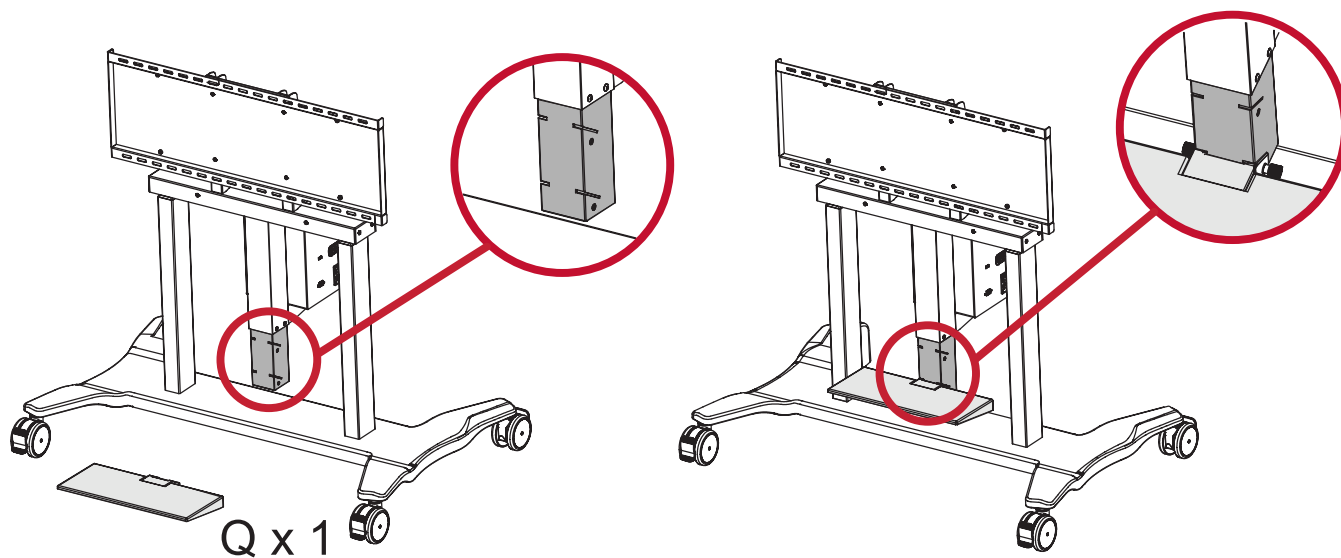
Attach the Mounting Brackets (N) to the IFP. Depending on the size of the IFP, use either M5 (C), M6 (D), or M8 (E) bolts. Refer to the IFP user guide to find the right bolt size.



NOTE: This product does not include an IFP.

Step 3

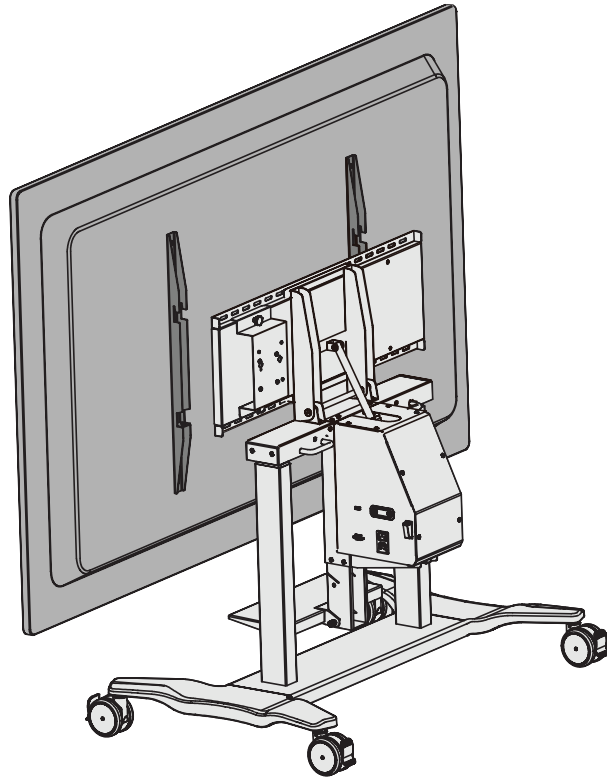
Attach the Keyboard Tray (Q) to the middle support.



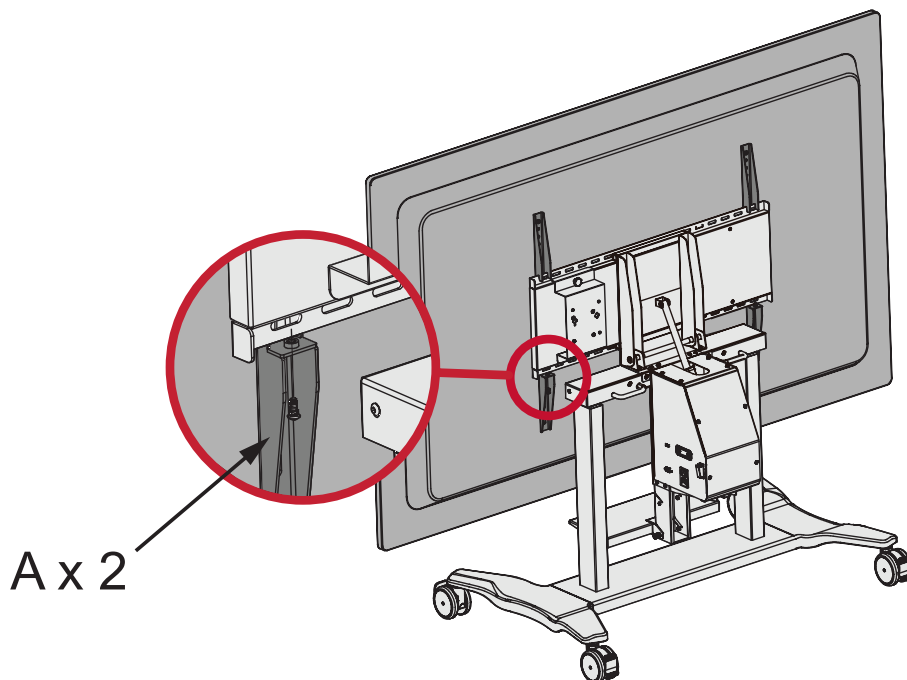
Step 4

1. Lift the IFP up and hook the Mounting Brackets onto the Trolley Cart.

NOTE: It is recommended to perform this step with two or more people to avoid personal injury and/or damage to the IFP and Trolley Cart.



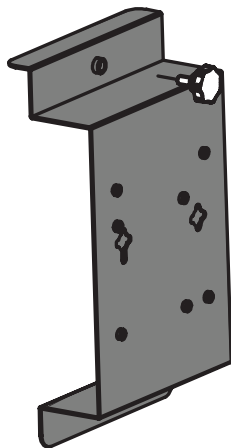
2. Secure the Mounting Brackets to the Trolley Cart with two M6 x 14mm bolts (A).



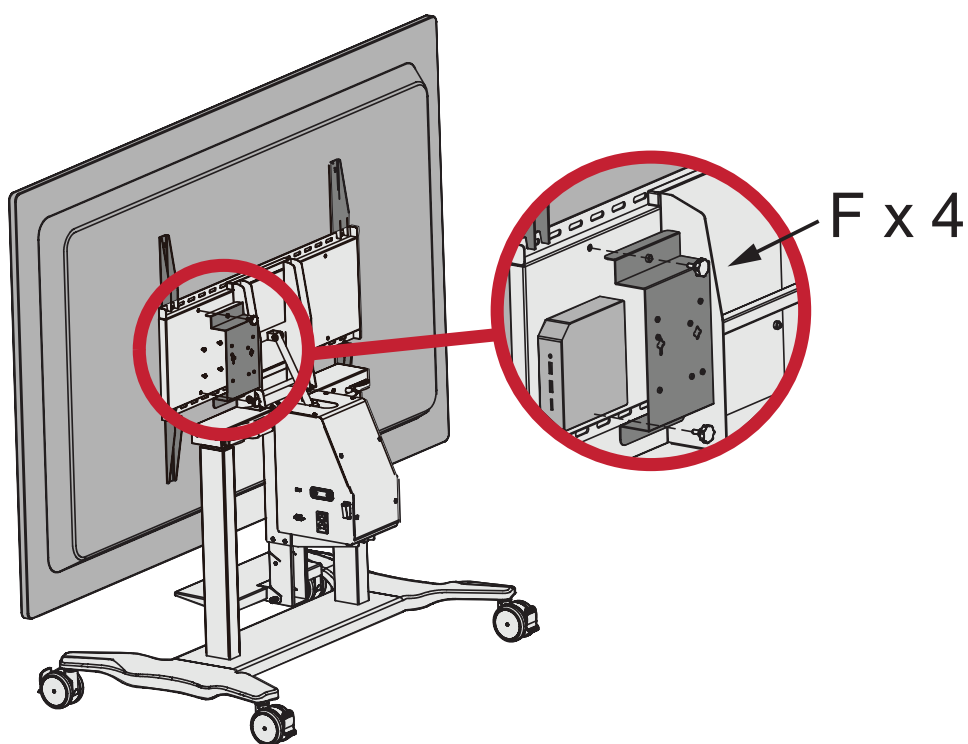
Step 5

1. Unscrew the M4 x 8mm bolts (F) and remove the Protective Cover from the Trolley Cart. Attach the Chrome Box onto the Trolley Cart.

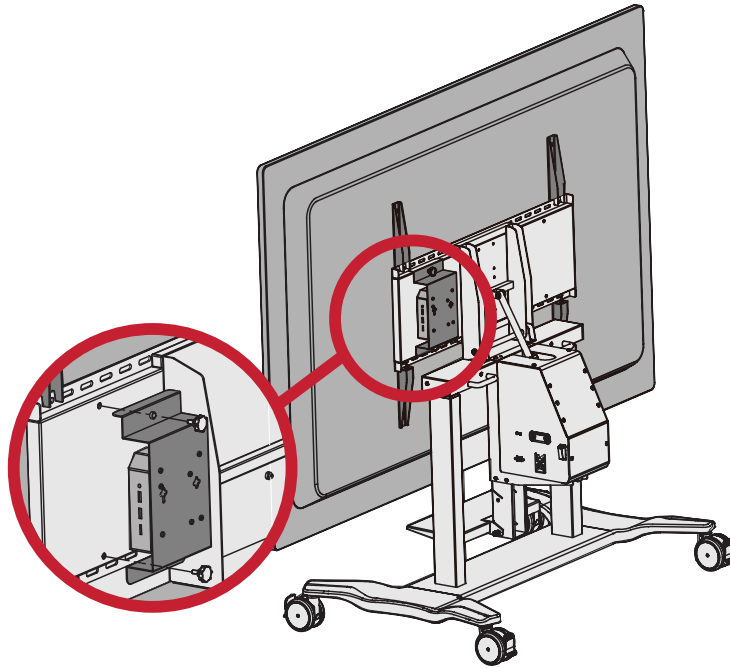
NOTE: This product does not include an Chrome Box.



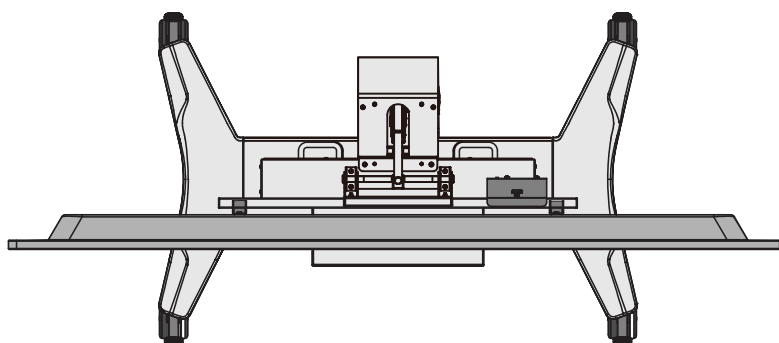
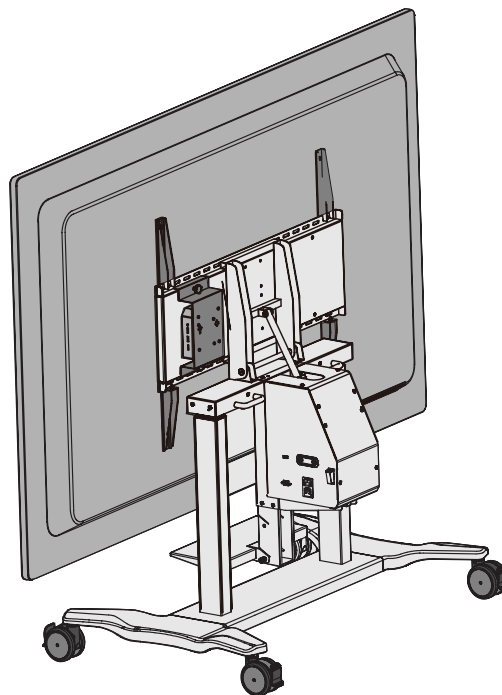
Protective Cover



2. Reattach the Protective Cover onto the Trolley Cart with the M4 x 8mm bolts, covering the Chrome Box.

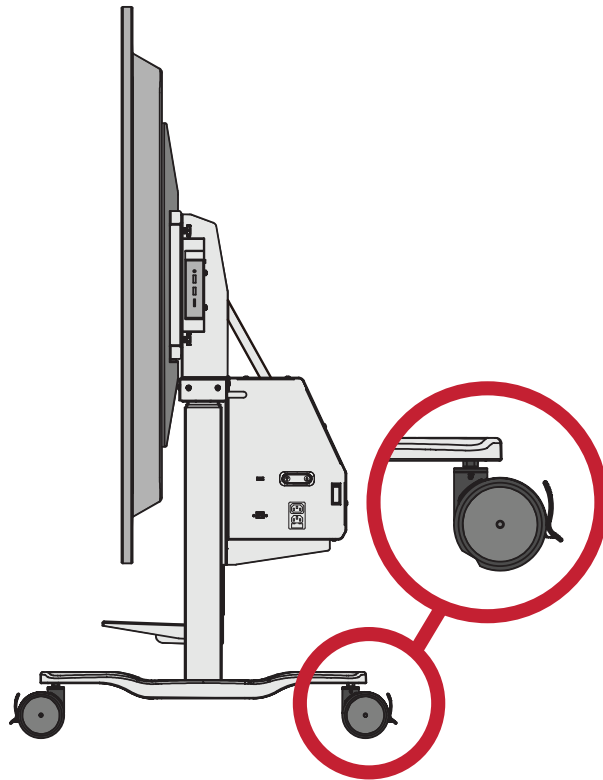


3. Ensure all parts are accurately and securely held together, as shown in the diagrams below.



Step 6

After moving the Trolley Cart to desired location, push down on the wheel brakes to lock the Trolley Cart in place.

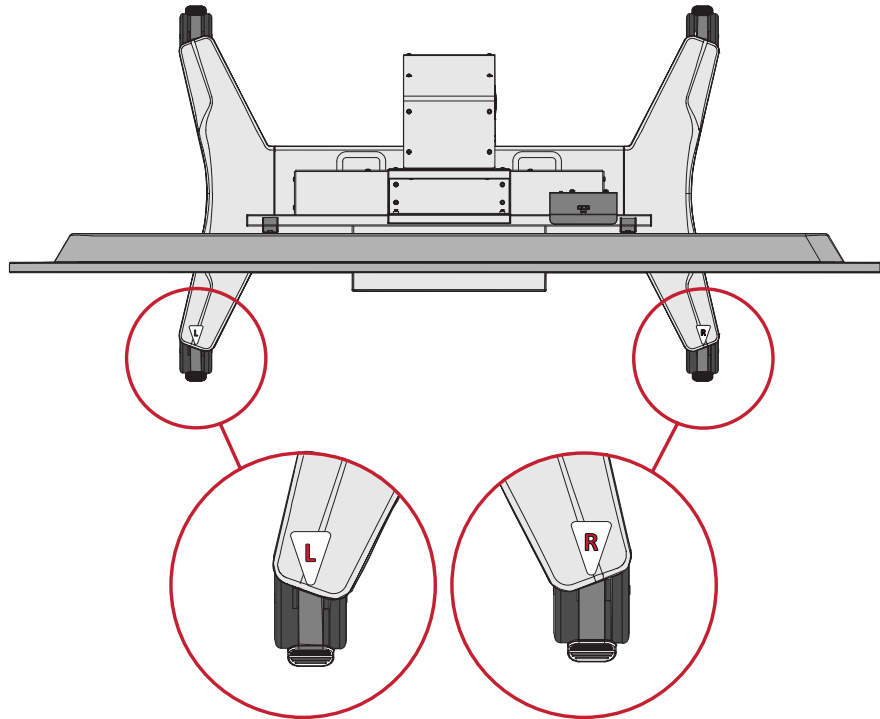


Step 7

Install the Caster Covers (I) to further secure the Trolley Cart in place

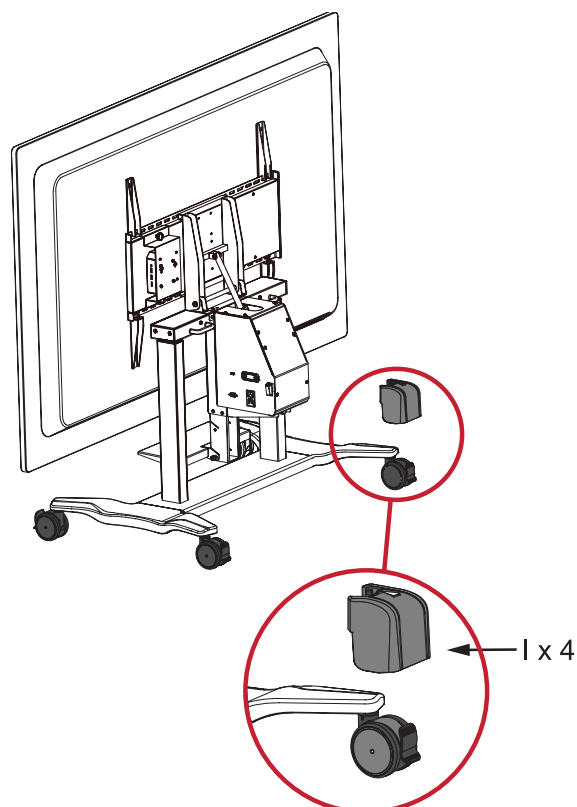
NOTE: It is recommended to install the Caster Covers to avoid personal injury and/or damage to the IFP and Trolley Cart

1. Ensure the wheels are aligned with the Trolley Cart.



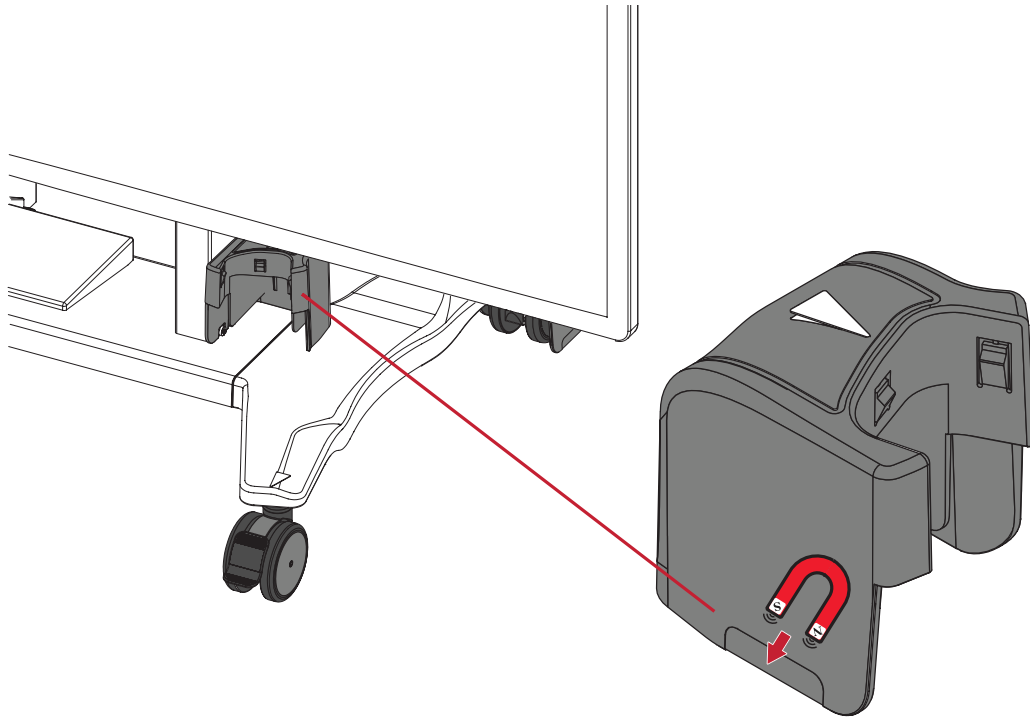
2. Slide the Caster Covers over the wheels.

NOTE: The Caster Covers automatically lock the wheel brakes.

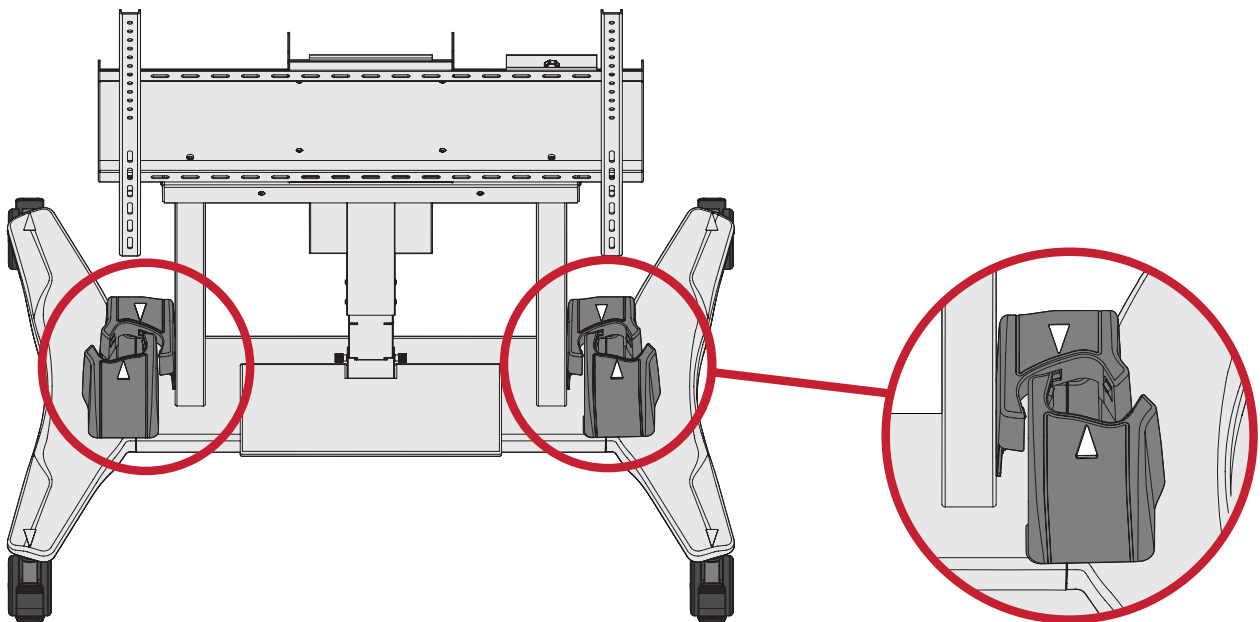


Storing the Caster Covers

The Caster Covers are magnetic. Refer to the diagram below for the position of the magnet.



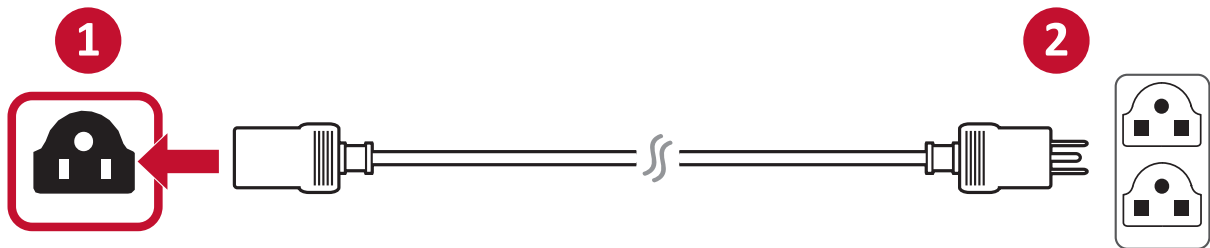
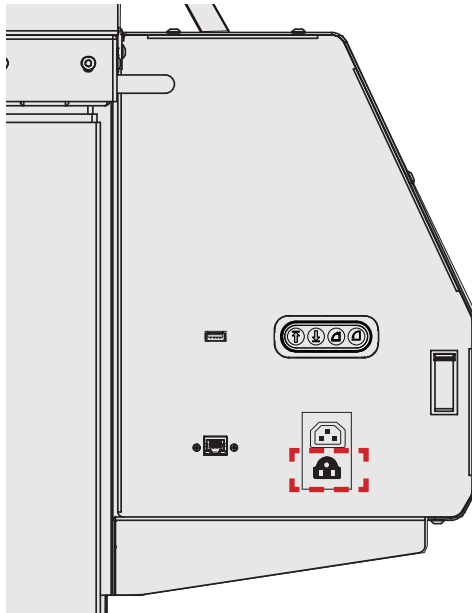
When moving the Trolley Cart, attach the Caster Covers to the left and right supports.



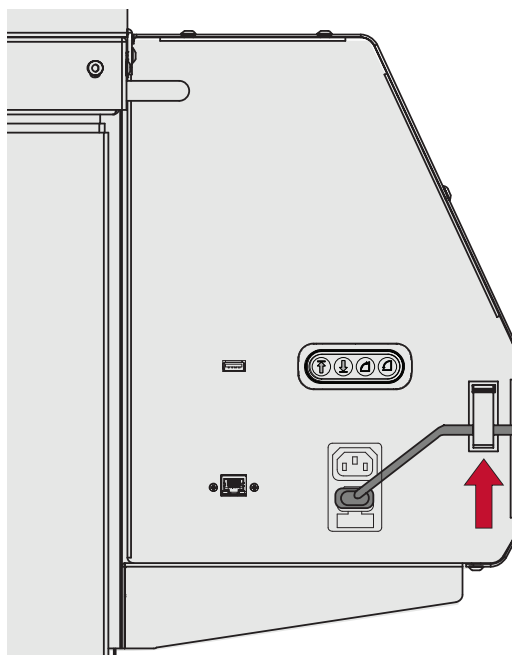
Making Connections

Connecting to Power

1. Connect the power cord to the Trolley Cart.
2. Connect the power cord to a power outlet.



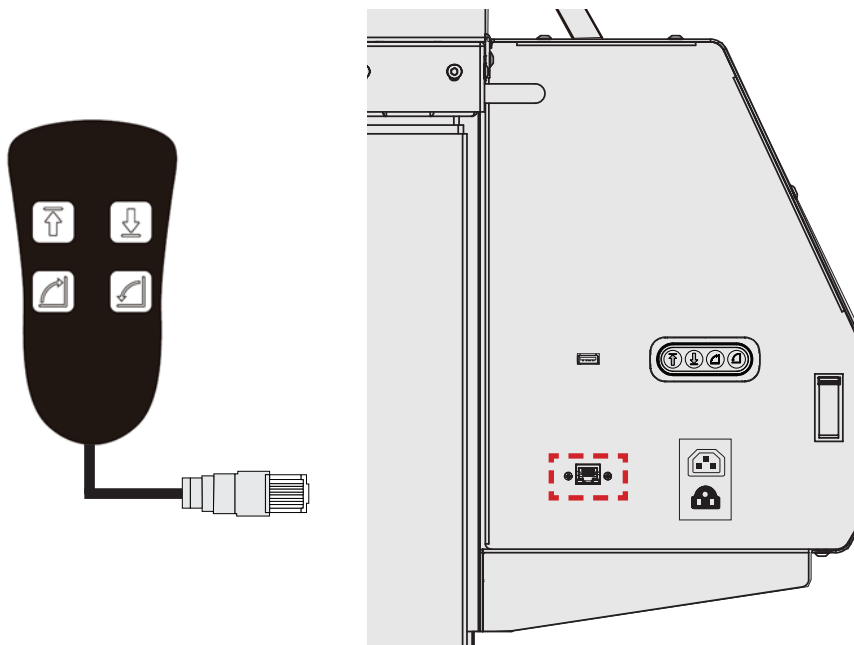
3. Use the cord clamp to secure the cords in place.



Connecting to the Control Pad

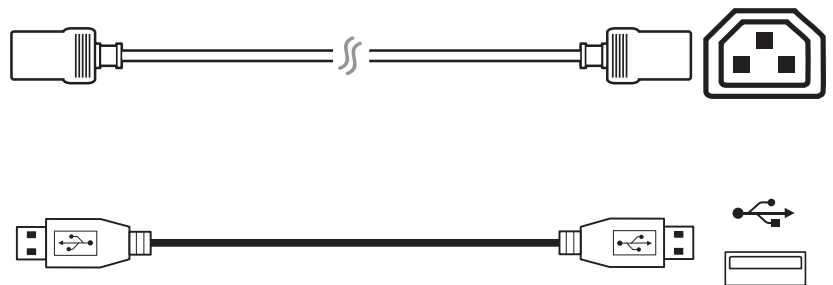
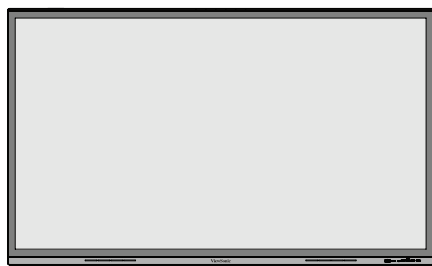
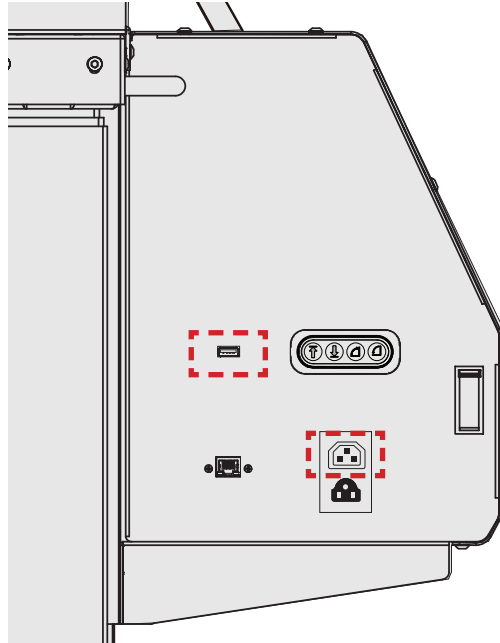
Connect the Control Pad to the Trolley Cart via the RJ45 Port.

NOTE: The Control Pad has a magnet on the back. The Control Pad can be attached to any metal zone on the Trolley Cart. Make sure the attached area does not obstruct the Lift functions.



Connecting to the IFP

1. Connect the IFP to the AC power output of the Trolley Cart.
2. Connect the USB Type A cord to both the IFP and the Trolley Cart.



Controlling the Lift

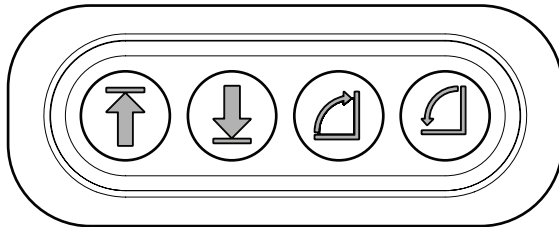
Read this section to learn how to adjust the height and angle of the Trolley Cart by using the Lift/Tilt function.

There are three ways to control the Lift:

1. Using the Trolley Cart.
2. Using the Control Pad.
3. Using the app on the IFP.





Using the Trolley Cart or Control Pad

1.



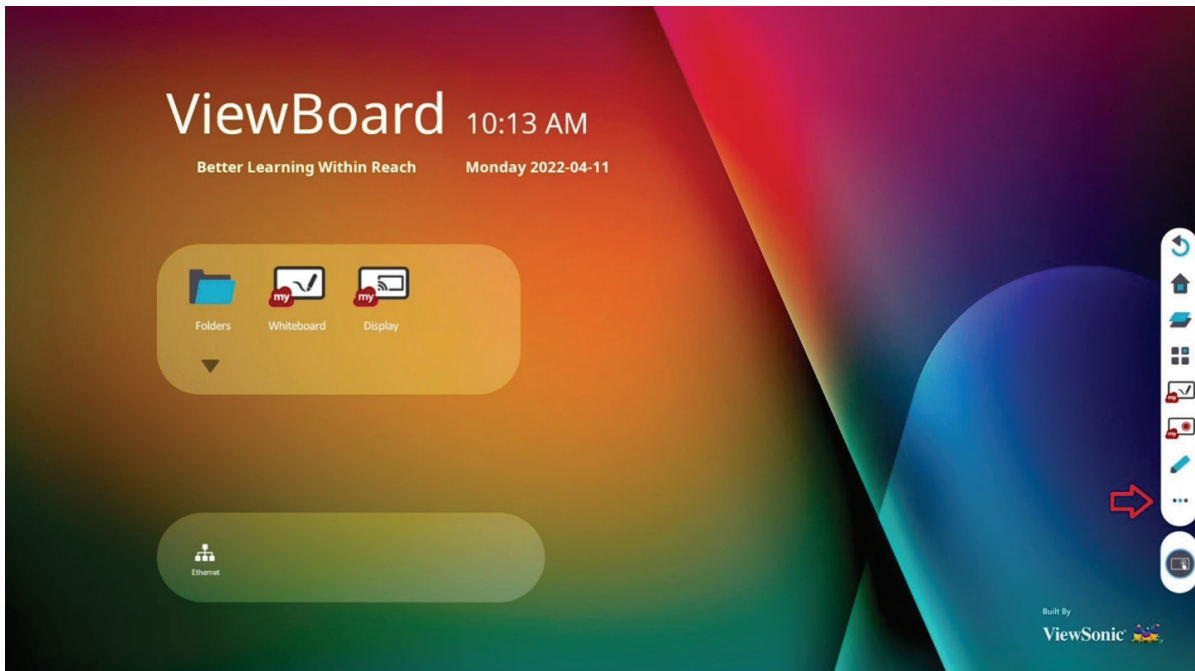
2.



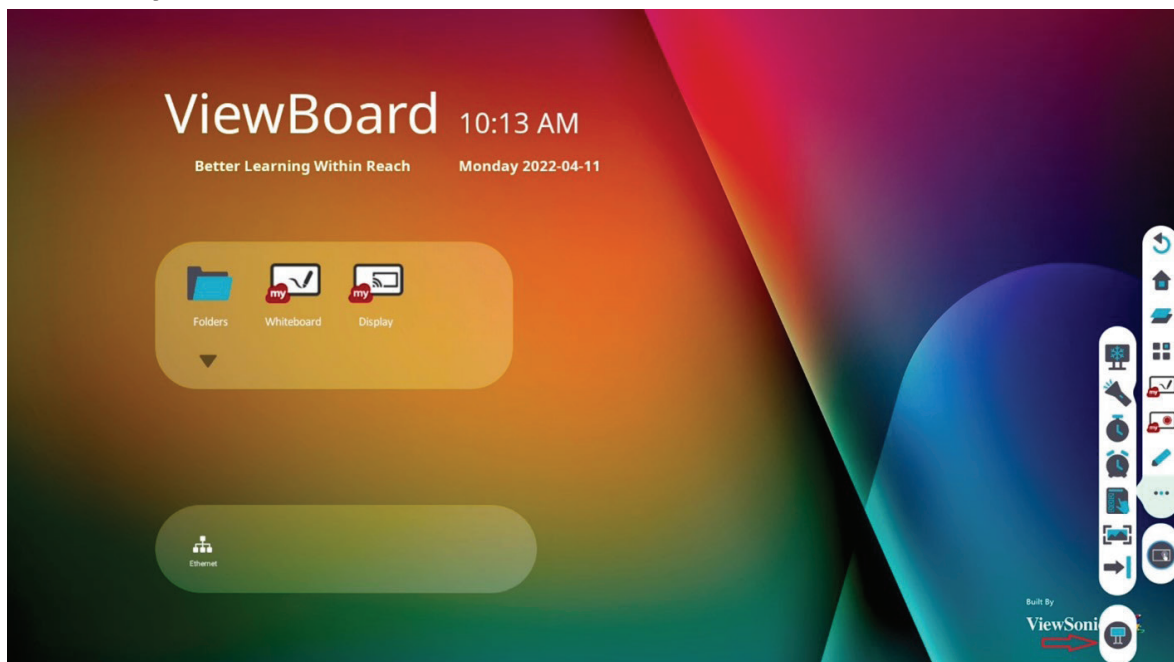
Name	Icon	Description
Lift Up		Press and hold to raise the VB-STND-008.
Lift Down		Press and hold to lower the VB-STND-008.
Tilt Up		Press and hold to tilt the VB-STND-008 backward .
Tilt Down		Press and hold to tilt the VB-STND-008 forward .

Using the app on the IFP

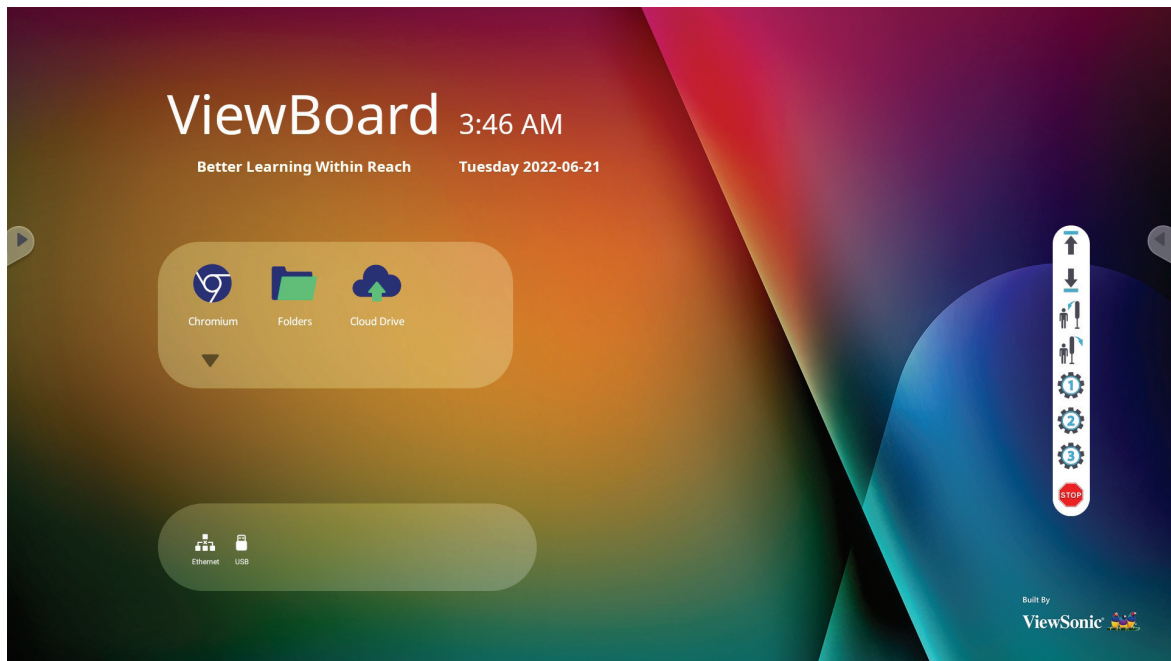
1. Select the **More Options Icon (...)** from the side tool bar.



2. Select **Trolley Cart Control**.



3. Adjust the height of the Trolley Cart accordingly:



Name	Icon	Description
Lift Up		Press and hold to raise the VB-STND-008.
Lift Down		Press and hold to lower the VB-STND-008.
Tilt Down		Press and hold to tilt the VB-STND-008 forward .
Tilt Up		Press and hold to tilt the VB-STND-008 backward .
Preset Position 1		Adjust the Lift to desired height. Long press to save current height as Preset Position 1 .
Preset Position 2		Adjust the Lift to desired height. Long press to save current height as Preset Position 2 .
Preset Position 3		Adjust the Lift to desired height. Long press to save current height as Preset Position 3 .
Stop		When using the Preset Position function, the Lift will adjust to the saved height. If you want to stop this process, press to stop height adjustment and motor movement.

Appendix

Specifications

Item	Specifications
Swivel	360° by 4" silent wheel
Height Adjust Range	560 mm (22.05 in)
Wall Mount Pattern	800 x 600 mm max.
Material	Aluminum Alloy, Plastic, Steel
Wall Mount Loading	75 kg max. (165 lb max.)
Keyboard Tray Loading	10 kg max. (22 lb max.)
Input Voltage	AC 100v ~ 240v 50/60Hz 10A
Output Voltage (For IFP Power)	AC 100v ~ 240v 50/60Hz 6A
Control Panel	Trolley Cart: Lift Up/Down, Tilt Up/Down Control Pad: Lift Up/Down, Tilt Up/Down IFP App: Lift Up/Down, Tilt Up/Down, Preset Position 1~3, Stop
Dimensions (W x H x D)	1248.9 x (1330.7 ~ 1890.7) x 706 mm (49.17 x (52.4 ~ 74.44) x 28.19 in)
Weight	65 kg (143 lb)
Motor Speed	33 mm/second (1.3 in/second)
Lift Safety Sensor	11 ~ 15 kg (24.25 ~ 33.07 lb)
Tilt Angle	0° ~ 90°

Troubleshooting

This section describes some common problems that you may experience when using the Trolley Cart.

Problem or Issue	Possible Solutions
No power	<ul style="list-style-type: none">• Plug another electrical device into the power outlet to verify that the outlet is supplying power.• Ensure the power cord is properly and securely connected to the device and power outlet.• If the Trolley Cart works but not the IFP, ensure the power cords are properly and securely connected to the IFP and the Trolley Cart.
Lift is not moving	<ul style="list-style-type: none">• Via Trolley Cart:<ul style="list-style-type: none">» Ensure the power cord is connect properly.» Ensure the outlet is supplying power.• Via Control Pad:<ul style="list-style-type: none">» Ensure the Control Pad Cable is properly and securely connected to the Trolley Cart.• Via app on IPF:<ul style="list-style-type: none">» Ensure the USB cable is properly and securely connected to the Trolly Cart and IFP.

Regulatory and Service Information

Compliance Information

This section addresses all connected requirements and statements regarding regulations. Confirmed corresponding applications shall refer to nameplate labels and relevant markings on the unit.

FCC Compliance Statement

This device complies with part 15 of FCC Rules. Operation is subject to the following two conditions: (1) this device may not cause harmful interference, and (2) this device must accept any interference received, including interference that may cause undesired operation. This equipment has been tested and found to comply with the limits for a Class B digital device, pursuant to part 15 of the FCC Rules.

These limits are designed to provide reasonable protection against harmful interference in a residential installation. This equipment generates, uses, and can radiate radio frequency energy, and if not installed and used in accordance with the instructions, may cause harmful interference to radio communications. However, there is no guarantee that interference will not occur in a particular installation. If this equipment does cause harmful interference to radio or television reception, which can be determined by turning the equipment off and on, the user is encouraged to try to correct the interference by one or more of the following measures:

- Reorient or relocate the receiving antenna.
- Increase the separation between the equipment and receiver.
- Connect the equipment into an outlet on a circuit different from that to which the receiver is connected.
- Consult the dealer or an experienced radio/TV technician for help.

Warning: You are cautioned that changes or modifications not expressly approved by the party responsible for compliance could void your authority to operate the equipment.

Industry Canada Statement

CAN ICES-003(B) / NMB-003(B)

CE Conformity for European Countries



The device complies with the EMC Directive 2014/30/EU and Low Voltage Directive 2014/35/EU.

The following information is only for EU-member states:

The mark shown to the right is in compliance with the Waste Electrical and Electronic Equipment Directive 2012/19/EU (WEEE). The mark indicates the requirement NOT to dispose of the equipment as unsorted municipal waste, but use the return and collection systems according to local law.



Declaration of RoHS2 Compliance

This product has been designed and manufactured in compliance with Directive 2011/65/EU of the European Parliament and the Council on restriction of the use of certain hazardous substances in electrical and electronic equipment (RoHS2 Directive) and is deemed to comply with the maximum concentration values issued by the European Technical Adaptation Committee (TAC) as shown below:

Substance	Proposed Maximum Concentration	Actual Concentration
Lead (Pb)	0.1%	< 0.1%
Mercury (Hg)	0.1%	< 0.1%
Cadmium (Cd)	0.01%	< 0.01%
Hexavalent Chromium (Cr ⁶⁺)	0.1%	< 0.1%
Polybrominated biphenyls (PBB)	0.1%	< 0.1%
Polybrominated diphenyl ethers (PBDE)	0.1%	< 0.1%
Bis (2-ethylhexyl) phthalate (DEHP)	0.1%	< 0.1%
Butyl benzyl phthalate (BBP)	0.1%	< 0.1%
Dibutyl phthalate (DBP)	0.1%	< 0.1%
Diisobutyl phthalate (DIBP)	0.1%	< 0.1%

Certain components of products as stated above are exempted under the Annex III of the RoHS2 Directives as noted below. Examples of exempted components are:

- Copper alloy containing up to 4% lead by weight.
- Lead in high melting temperature type solders (i.e. lead-based alloys containing 85% by weight or more lead).
- Electrical and electronic components containing lead in a glass or ceramic other than dielectric ceramic in capacitors, e.g. piezoelectronic devices, or in a glass or ceramic matrix compound.
- Lead in dielectric ceramic in capacitors for a rated voltage of 125V AC or 250V DC or higher.

Indian Restriction of Hazardous Substances

Restriction on Hazardous Substances statement (India). This product complies with the “India E-waste Rule 2011” and prohibits use of lead, mercury, hexavalent chromium, polybrominated biphenyls or polybrominated diphenyl ethers in concentrations exceeding 0.1 weight % and 0.01 weight % for cadmium, except for the exemptions set in Schedule 2 of the Rule.

Product Disposal at End of Product Life

ViewSonic® respects the environment and is committed to working and living green. Thank you for being part of Smarter, Greener Computing. Please visit the ViewSonic® website to learn more.

USA & Canada:

<https://www.viewsonic.com/us/company/green/go-green-with-viewsonic/#recycle-program>

Europe:

<https://www.viewsoniceurope.com/eu/support/call-desk/>

Taiwan:

<https://recycle.epa.gov.tw/>

Copyright Information

Copyright© ViewSonic® Corporation, 2022. All rights reserved.

Macintosh and Power Macintosh are registered trademarks of Apple Inc.

Microsoft, Windows, and the Windows logo are registered trademarks of Microsoft Corporation in the United States and other countries.

ViewSonic®, the three birds logo, OnView, ViewMatch, and ViewMeter are registered trademarks of ViewSonic® Corporation.

VESA is a registered trademark of the Video Electronics Standards Association. DPMS, DisplayPort, and DDC are trademarks of VESA.

Disclaimer: ViewSonic® Corporation shall not be liable for technical or editorial errors or omissions contained herein; nor for incidental or consequential damages resulting from furnishing this material, or the performance or use of this product.

In the interest of continuing product improvement, ViewSonic® Corporation reserves the right to change product specifications without notice. Information in this document may change without notice.

No part of this document may be copied, reproduced, or transmitted by any means, for any purpose without prior written permission from ViewSonic® Corporation.

Customer Service

For technical support or product service, see the table below or contact your reseller.

NOTE: You will need the product's serial number.

Country/ Region	Website	Country/ Region	Website
Asia Pacific & Africa			
Australia	www.viewsonic.com/au/	Bangladesh	www.viewsonic.com/bd/
中国 (China)	www.viewsonic.com.cn	香港 (繁體中文)	www.viewsonic.com/hk/
Hong Kong (English)	www.viewsonic.com/hk-en/	India	www.viewsonic.com/in/
Indonesia	www.viewsonic.com/id/	Israel	www.viewsonic.com/il/
日本 (Japan)	www.viewsonic.com/jp/	Korea	www.viewsonic.com/kr/
Malaysia	www.viewsonic.com/my/	Middle East	www.viewsonic.com/me/
Myanmar	www.viewsonic.com/mm/	Nepal	www.viewsonic.com/np/
New Zealand	www.viewsonic.com/nz/	Pakistan	www.viewsonic.com/pk/
Philippines	www.viewsonic.com/ph/	Singapore	www.viewsonic.com/sg/
臺灣 (Taiwan)	www.viewsonic.com/tw/	ประเทศไทย	www.viewsonic.com/th/
Việt Nam	www.viewsonic.com/vn/	South Africa & Mauritius	www.viewsonic.com/za/
Americas			
United States	www.viewsonic.com/us	Canada	www.viewsonic.com/us
Latin America	www.viewsonic.com/la		
Europe			
Europe	www.viewsonic.com/eu/	France	www.viewsonic.com/fr/
Deutschland	www.viewsonic.com/de/	Қазақстан	www.viewsonic.com/kz/
Россия	www.viewsonic.com/ru/	España	www.viewsonic.com/es/
Türkiye	www.viewsonic.com/tr/	Україна	www.viewsonic.com/ua/
United Kingdom	www.viewsonic.com/uk/		

Limited Warranty

ViewSonic® Display

What the warranty covers:

ViewSonic® warrants its products to be free from defects in material and workmanship during the warranty period. If a product proves to be defective in material or workmanship during the warranty period, ViewSonic® will, at its sole option, and as your sole remedy, repair or replace the product with a similar product. Replacement Product or parts may include remanufactured or refurbished parts or components. The repair or replacement unit or parts or components will be covered by the balance of the time remaining on the customer's original limited warranty and the warranty period will not be extended. ViewSonic® provides no warranty for any third-party software whether included with the product or installed by the customer, installation of any unauthorized hardware parts or components (e.g. Projector Lamps). (Please refer to: "What the warranty excludes and does not cover" section).

How long the warranty is effective:

ViewSonic® displays are warranted for between 1 and 3 years, depending on your country of purchase, for all parts including the light source and for all labor from the date of the first consumer purchase.

Who the warranty protects:

This warranty is valid only for the first consumer purchaser.

What the warranty excludes and does not cover:

- Any product on which the serial number has been defaced, modified, or removed.
- Damage, deterioration, or malfunction resulting from:
 - » Accident, misuse, neglect, fire, water, lightning, or other acts of nature, unauthorized product modification, or failure to follow instructions supplied with the product.
 - » Repair or attempted repair by anyone not authorized by ViewSonic®.
 - » Damage to or loss of any programs, data, or removable storage media.
 - » Normal wear and tear.
 - » Removal or installation of the product.
- Software or data loss occurring during repair or replacement.
- Any damage of the product due to shipment.

- Causes external to the product, such as electric power fluctuations or failure.
- Use of supplies or parts not meeting ViewSonic’s specifications.
- Failure of owner to perform periodic product maintenance as stated in the User Guide.
- Any other cause which does not relate to a product defect.
- Damage caused by static (non-moving) images displayed for lengthy periods of time (also referred to as image burn-in).
- Software - Any third-party software included with the product or installed by the customer.
- Hardware/Accessories/Parts/Components – Installation of any unauthorized hardware, accessories, consumable parts or components (e.g. Projector Lamps).
- Damage to, or abuse of, the coating on the surface of the display through inappropriate cleaning as described in the product User Guide.
- Removal, installation, and set-up service charges, including wall-mounting of the product.

How to get service:

- For information about receiving service under warranty, contact ViewSonic® Customer Support (Please refer to the “Customer Service” page). You will need to provide your product’s serial number.
- To obtain warranty service, you will be required to provide: (a) the original dated sales slip, (b) your name, (c) your address, (d) a description of the problem, and (e) the serial number of the product.
- Take or ship the product, freight prepaid, in the original container to an authorized ViewSonic® service center or ViewSonic®.
- For additional information or the name of the nearest ViewSonic® service center, contact ViewSonic®.

Limitation of implied warranties:

There are no warranties, express or implied, which extend beyond the description contained herein including the implied warranty of merchantability and fitness for a particular purpose.

Exclusion of damages:

ViewSonic's liability is limited to the cost of repair or replacement of the product. ViewSonic® shall not be liable for:

- Damage to other property caused by any defects in the product, damages based upon inconvenience, loss of use of the product, loss of time, loss of profits, loss of business opportunity, loss of goodwill, interference with business relationships, or other commercial loss, even if advised of the possibility of such damages.
- Any other damages, whether incidental, consequential or otherwise.
- Any claim against the customer by any other party.
- Repair or attempted repair by anyone not authorized by ViewSonic®.

Effect of state law:

This warranty gives you specific legal rights, and you may also have other rights which vary from state to state. Some states do not allow limitations on implied warranties and/or do not allow the exclusion of incidental or consequential damages, so the above limitations and exclusions may not apply to you.

Sales outside the U.S.A. and Canada:

For warranty information and service on ViewSonic® products sold outside of the U.S.A. and Canada, contact ViewSonic® or your local ViewSonic® dealer.

The warranty period for this product in mainland China (Hong Kong, Macao, and Taiwan Excluded) is subject to the terms and conditions of the Maintenance Guarantee Card.

For users in Europe and Russia, full details of warranty provided can be found at: <http://www.viewsonic.com/eu/> under "Support/Warranty Information".

Mexico Limited Warranty

ViewSonic® Display

What the warranty covers:

ViewSonic® warrants its products to be free from defects in material and workmanship, under normal use, during the warranty period. If a product proves to be defective in material or workmanship during the warranty period, ViewSonic® will, at its sole option, repair or replace the product with a like product. Replacement product or parts may include remanufactured or refurbished parts or components & accessories.

How long the warranty is effective:

ViewSonic® LCD displays are warranted for between 1 and 3 years, depending on your country of purchase, for all parts including the light source and for all labour from the date of the first consumer purchase.

Who the warranty protects:

This warranty is valid only for the first consumer purchaser.

What the warranty excludes and does not cover:

- Any product on which the serial number has been defaced, modified or removed.
- Damage, deterioration, or malfunction resulting from:
 - » Accident, misuse, neglect, fire, water, lightning, or other acts of nature, unauthorized product modification, unauthorized attempted repair, or failure to follow instructions supplied with the product.
 - » Causes external to the product, such as electrical power fluctuations or failure.
 - » Use of supplies or parts not meeting ViewSonic®'s specifications.
 - » Normal wear and tear.
 - » Any other cause which does not relate to a product defect.
- Any product exhibiting a condition commonly known as “image burn-in” which results when a static image is displayed on the product for an extended period of time.
- Removal, installation, insurance, and set-up service charges.

How to get service:

For information about receiving service under warranty, contact ViewSonic® Customer Support (Please refer to the attached “Customer Service” page). You will need to provide your product’s serial number, so please record the product information in the space provided below on your purchase for your future use. Please retain your receipt of proof of purchase to support your warranty claim.

For Your Records

Product Name: _____ Model Number: _____
Document Number: _____ Serial Number: _____
Purchase Date: _____ Extended Warranty Purchase? _____(Y/N)
If so, what date does warranty expire? _____

- To obtain warranty service, you will be required to provide (a) the original dated sales slip, (b) your name, (c) your address, (d) a description of the problem, and (e) the serial number of the product.
- Take or ship the product, in the original container packaging, to an authorized ViewSonic® service center.
- Round trip transportation costs for in-warranty products will be paid by ViewSonic®.

Limitation of implied warranties:

There are no warranties, express or implied, which extend beyond the description contained herein including the implied warranty of merchantability and fitness for a particular purpose.

Exclusion of damages:

ViewSonic®’s liability is limited to the cost of repair or replacement of the product. ViewSonic® shall not be liable for:

- Damage to other property caused by any defects in the product, damages based upon inconvenience, loss of use of the product, loss of time, loss of profits, loss of business opportunity, loss of goodwill, interference with business relationships, or other commercial loss, even if advised of the possibility of such damages.
- Any other damages, whether incidental, consequential or otherwise.
- Any claim against the customer by any other party.
- Repair or attempted repair by anyone not authorized by ViewSonic®.

Contact Information for Sales & Authorized Service (Centro Autorizado de Servicio) within Mexico:	
Name, address, of manufacturer and importers: México, Av. de la Palma #8 Piso 2 Despacho 203, Corporativo Interpalmas, Col. San Fernando Huixquilucan, Estado de México Tel: (55) 3605-1099 http://www.viewsonic.com/la/soporte/index.htm	
NÚMERO GRATIS DE ASISTENCIA TÉCNICA PARA TODO MÉXICO: 001.866.823.2004	
Hermosillo: Distribuciones y Servicios Computacionales SA de CV. Calle Juarez 284 local 2 Col. Bugambilias C.P: 83140 Tel: 01-66-22-14-9005 E-Mail: disc2@hmo.megared.net.mx	Villahermosa: Compumantenimientos Garantizados, S.A. de C.V. AV. GREGORIO MENDEZ #1504 COL, FLORIDA C.P. 86040 Tel: 01 (993) 3 52 00 47 / 3522074 / 3 52 20 09 E-Mail: compumantenimientos@prodigy.net.mx
Puebla, Pue. (Matriz): RENTA Y DATOS, S.A. DE C.V. Domicilio: 29 SUR 721 COL. LA PAZ 72160 PUEBLA, PUE. Tel: 01(52).222.891.55.77 CON 10 LINEAS E-Mail: datos@puebla.megared.net.mx	Veracruz, Ver.: CONEXION Y DESARROLLO, S.A DE C.V. Av. Americas # 419 ENTRE PINZÓN Y ALVARADO Fracc. Reforma C.P. 91919 Tel: 01-22-91-00-31-67 E-Mail: gacosta@qplus.com.mx
Chihuahua: Soluciones Globales en Computación C. Magisterio # 3321 Col. Magisterial Chihuahua, Chih. Tel: 4136954 E-Mail: Cefeo@soluglobales.com	Cuernavaca: Compusupport de Cuernavaca SA de CV Francisco Leyva # 178 Col. Miguel Hidalgo C.P. 62040, Cuernavaca Morelos Tel: 01 777 3180579 / 01 777 3124014 E-Mail: aquevedo@compusupportcva.com
Distrito Federal: QPLUS, S.A. de C.V. Av. Coyoacán 931 Col. Del Valle 03100, México, D.F. Tel: 01(52)55-50-00-27-35 E-Mail : gacosta@qplus.com.mx	Guadalajara, Jal.: SERVICRECE, S.A. de C.V. Av. Niños Héroes # 2281 Col. Arcos Sur, Sector Juárez 44170, Guadalajara, Jalisco Tel: 01(52)33-36-15-15-43 E-Mail: mmiranda@servicrece.com
Guerrero Acapulco: GS Computación (Grupo Sesicomp) Progreso #6-A, Colo Centro 39300 Acapulco, Guerrero Tel: 744-48-32627	Monterrey: Global Product Services Mar Caribe # 1987, Esquina con Golfo Pérsico Fracc. Bernardo Reyes, CP 64280 Monterrey N.L. México Tel: 8129-5103 E-Mail: aydeem@gps1.com.mx
MERIDA: ELECTROSER Av Reforma No. 403Gx39 y 41 Mérida, Yucatán, México CP97000 Tel: (52) 999-925-1916 E-Mail: rrrb@sureste.com	Oaxaca, Oax.: CENTRO DE DISTRIBUCION Y SERVICIO, S.A. de C.V. Murguía # 708 P.A., Col. Centro, 68000, Oaxaca Tel: 01(52)95-15-15-22-22 Fax: 01(52)95-15-13-67-00 E-Mail: gpotai2001@hotmail.com
Tijuana: STD Av Ferrocarril Sonora #3780 L-C Col 20 de Noviembr Tijuana, Mexico	FOR USA SUPPORT: ViewSonic® Corporation 381 Brea Canyon Road, Walnut, CA. 91789 USA Tel: 800-688-6688 E-Mail: http://www.viewsonic.com



ViewSonic®