

## Product Datasheet

### QSFP-100G-AOC7M-HW-C

#### Brocade® Compatible 100GBASE-SR4 QSFP28 to QSFP28 Active Optical Cable, Active, 7m

##### FEATURES

- Compliant with 100GBASE-SR4 and CAUI-4 specification per IEEE 802.3bm
- Compliant to SFF-8665 (QSFP28 Solution) Revision 1.8
- Supports 100 Gbps data rate links up to 70m/100 m via OM3/OM4, respectively.
- VCSEL array transmitter and PIN array receiver
- Low power consumption of max 3.5W
- Hot pluggable electrical interface
- Using standard 12/8 lane optical fiber with 3-mm round cable
- 0 to 70°C case temperature operating range
- RoHS-6 Compliant (lead-free)

##### APPLICATIONS

- Ethernet for 100GBASE-SR4
- InfiniBand EDR, FDR, & QDR
- HPC Interconnects
- Proprietary Interconnections

##### DESCRIPTION

ATGBICS QSFP-100G-AOC7M-HW-C QSFP28 active optical cables are high-performance active optical cable with bi-directional signal transmission and aggregate 100-Gbps bandwidth for both InfiniBand EDR and Ethernet 100G-SR4 applications. Compared to conventional copper cables, longer and lighter optical cables enable the ease of complicated data-center cabling. The AOCs utilize multimode fiber with 850-nm VCSELs and PIN PDs. The certificated cables have superior signal integrity and bit-error-rate, which enables reliable operation performance.

## Product Datasheet

### Absolute Maximum Ratings

Not necessarily applied together. Exceeding these values may cause permanent damage. Functional operation under these conditions is not implied.

| Parameter                              | Min  | Max | Unit                 | Note |
|--|------|-----|----------------------|------|
| <b>Storage Temperature</b>             | 0    | 70  | °C                   | 1    |
| <b>3.3V Power Supply Voltage</b>       | -0.5 | 3.6 | V                    |      |
| <b>Data Input Voltage-Single Ended</b> | -0.5 |     | V <sub>cc</sub> +0.5 |      |
| <b>Control Input Voltage</b>           | -0.5 | 3.6 | V                    |      |
| <b>Relative Humidity</b>               | 5    | 85  | %                    | 2    |

#### Note:

1. Limited by the fiber cable jacket, not the active ends
2. Non-condensing

### Recommended Operating Conditions

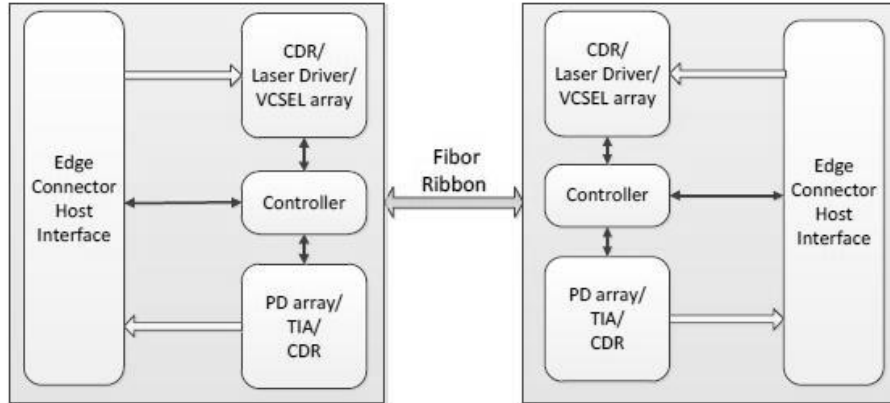
| Parameter   | Min   | Typical | Max                  | Unit | Note    |
|---|-------|---------|----------------------|------|---------|
| <b>Case Operating Temperature</b>                 | 0     |         | 70                   | °C   |         |
| <b>Power Supply Voltage</b>                       | 3.135 | 3.3     | 3.465                | V    |         |
| <b>Data Rate per Channel</b>                      |       |         | 25.78125             | Gbps |         |
| <b>Bit Error Ratio (BER)</b>                      |       | 10-12   |                      |      | 1, 2    |
| <b>Control Input Voltage High</b>                 | 2     |         | V <sub>cc</sub> +0.3 | V    |         |
| <b>Control Input Voltage Low</b>                  | -0.3  |         | 0.8                  | V    |         |
| <b>Two Wire Serial (TWS) Interface Clock Rate</b> |       |         | 400                  | kHz  |         |
| <b>Differential Data Input / Output Load</b>      |       | 100     |                      | Ohms | +/- 10% |
| <b>Standard Cable Lengths</b>                     |       |         | 100                  | m    | 3       |

#### Note:

1. Bit-Error-Rate (BER) is tested with PRBS 2<sup>31</sup>-1 pattern
2. 100G QSFP28 AOC cable requires an electrical connector compliant with SFF-8662 or SFF-8672 which is used on the host board in order to guarantee its electrical interface specification.
3. Per 100GBASE-SR4 Standard, cable length supports up to 70m / 100m via OM3 / OM4, respectively. Different cable length within this range upon customization.

## Product Datasheet

### Functional Description of Transceiver



## Product Datasheet

### Electrical Specifications

| Parameter   | Symbol | Min  | Typical   | Max  | Unit | Note |
|---|--------|------|-----------|------|------|------|
| <b>Transceiver Electrical Characteristics</b>               |        |      |           |      |      |      |
| TRx Power Consumption                                       |        |      | 2.5       | 3.5  | W    |      |
| TRx Power-on Initialization Time                            |        |      |           | 2000 | ms   |      |
| <b>CAUI-4 Module Electrical Input Characteristics (TP1)</b> |        |      |           |      |      |      |
| Single Ended Input Voltage Tolerance                        |        | -0.4 |           | 3.3  | V    |      |
| Differential pk-pk input voltage tolerance                  |        | 900  |           |      | mV   |      |
| Differential Input Return Loss                              | Sdd11  |      | See Eq. 1 |      | dB   | 1    |
| Differential to Common-mode Input Return Loss               | Sdc11  |      | See Eq. 2 |      | dB   | 2    |
| DC common mode voltage                                      |        | -350 |           | 2850 | mV   |      |

### Notes:

$$1. \quad RLd(f) \geq \begin{cases} 9.5 - 0.37f & 0.01 \leq f < 8 \\ 4.75 - 7.4 \log_{10} \left( \frac{f}{14} \right) & 8 \leq f < 19 \end{cases} \text{ (dB)} \quad \text{(Eq.1)}$$

where

$f$  is the frequency in GHz

$RLd$  is the CAUI-4 Chip-to-module input differential return loss

$$2. \quad RLdc(f) \geq \begin{cases} 22 - 20 \left( \frac{f}{25.78} \right) & 0.01 \leq f < 12.89 \\ 15 - 6 \left( \frac{f}{25.78} \right) & 12.89 \leq f < 19 \end{cases} \text{ (dB)} \quad \text{(Eq.2)}$$

where

$f$  is the frequency in GHz

$RLdc$  loss is the CAUI-4 Chip-to-module input differential to common mode input return loss

## Product Datasheet

| Parameter  | Symbol | Min  | Typical   | Max  | Unit | Note |
|--|--------|------|-----------|------|------|------|
| <b>CAUI-4 Module Electrical Output Characteristics (TP4)</b> |        |      |           |      |      |      |
| AC Common-Mode Output Voltage (RMS)                          |        |      |           | 17.5 | mV   |      |
| Differential Output Voltage                                  |        |      |           | 900  | mV   |      |
| Eye Width  |        | 0.57 |           |      | UI   |      |
| Eye Height, Differential                                     |        | 228  |           |      | mV   |      |
| Vertical Eye Closure   |        |      |           | 5.5  | dB   |      |
| Differential Output Return Loss                              | Sdd22  |      | See Eq. 1 |      | dB   | 1    |
| Common to Differential Mode Conversion Return Loss           | Scd22  |      | See Eq. 2 |      | dB   | 2    |
| Transition Time (20% to 80%)                                 |        | 12   |           |      | ps   |      |
| DC Common Voltage  |        | -350 |           | 2850 | mV   |      |

### Notes:

$$1. \quad RLd(f) \geq \begin{cases} 9.5 - 0.37f & 0.01 \leq f < 8 \\ 4.75 - 7.4 \log_{10} \left( \frac{f}{14} \right) & 8 \leq f < 19 \end{cases} \quad (\text{dB}) \quad (\text{Eq.1})$$

where

$f$  is the frequency in GHz

$RLd$  is the CAUI-4 Chip-to-module host output differential return loss

$$2. \quad RLdc(f) \geq \begin{cases} 22 - 20 \left( \frac{f}{25.78} \right) & 0.01 \leq f < 12.89 \\ 15 - 6 \left( \frac{f}{25.78} \right) & 12.89 \leq f < 19 \end{cases} \quad (\text{dB}) \quad (\text{Eq.2})$$

where

$f$  is the frequency in GHz

$RLdc$  is the CAUI-4 Chip-to-module output common to differential mode conversion return loss

### Optical Cable Specification

| Parameter                     | Specification                     | Notes |
|-------------------------------|-----------------------------------|-------|
| Minimum Cable Bending Radius  | ~30 mm                            |       |
| Cable Cross-Section Dimension | Round Cable with 3 mm in Diameter |       |
| Cable Cover Type              | LSZH                              | 1     |
| Standard Cable Length         | 10, 20, 30, 50, 70, 100-m         | 2     |
| Cable Length Tolerance        | +100/-0 cm                        |       |

### Notes:

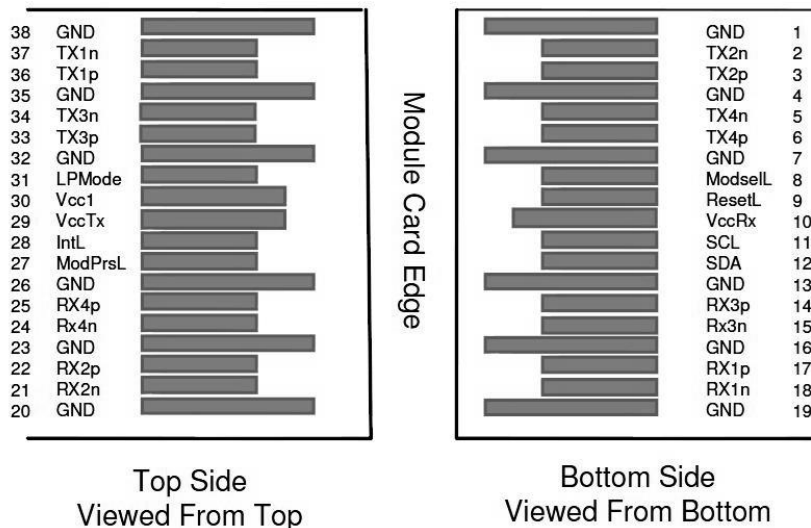
1. Cable cover type standard is LSZH. Other types can be available upon request.
2. Different cable length within this range upon customization.

## Product Datasheet

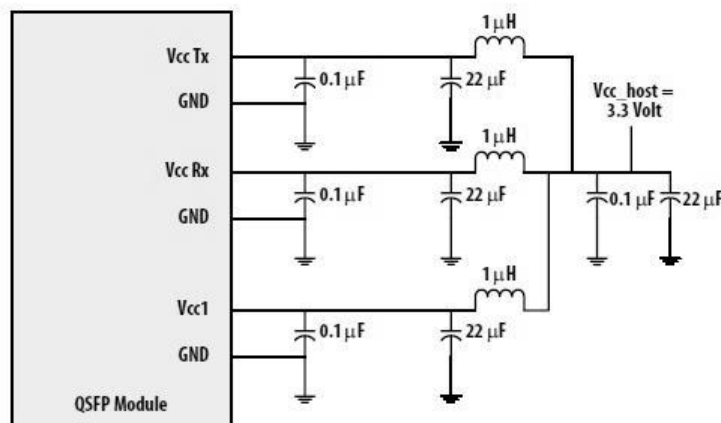
### QSFP28 Module Pad Assignments and Descriptions

| Pin | Logic      | Symbol  | Description                         | Plug Sequence |
|-----|------------|---------|-------------------------------------|---------------|
| 1   |            | GND     | Ground                              | 1             |
| 2   | CML-I      | Tx2n    | Transmitter Inverted Data Input     | 3             |
| 3   | CML-I      | Tx2p    | Transmitter Non-Inverted Data Input | 3             |
| 4   |            | GND     | Ground                              | 1             |
| 5   | CML-I      | Tx4n    | Transmitter Inverted Data Input     | 3             |
| 6   | CML-I      | Tx4p    | Transmitter Non-Inverted Data Input | 3             |
| 7   |            | GND     | Ground                              | 1             |
| 8   | LVTTL-I    | ModSelL | Module Select                       | 3             |
| 9   | LVTTL-I    | ResetL  | Module Reset                        | 3             |
| 10  |            | Vcc Rx  | +3.3V Power Supply Receiver         | 2             |
| 11  | LVCMOS-I/O | SCL     | 2-wire serial interface clock       | 3             |
| 12  | LVCMOS-I/O | SDA     | 2-wire serial interface data        | 3             |
| 13  |            | GND     | Ground                              | 1             |
| 14  | CML-O      | Rx3p    | Receiver Non-Inverted Data Output   | 3             |
| 15  | CML-O      | Rx3n    | Receiver Inverted Data Output       | 3             |
| 16  |            | GND     | Ground                              | 1             |
| 17  | CML-O      | Rx1p    | Receiver Non-Inverted Data Output   | 3             |
| 18  | CML-O      | Rx1n    | Receiver Inverted Data Output       | 3             |
| 19  |            | GND     | Ground                              | 1             |
| 20  |            | GND     | Ground                              | 1             |
| 21  | CML-O      | Rx2n    | Receiver Inverted Data Output       | 3             |
| 22  | CML-O      | Rx2p    | Receiver Non-Inverted Data Output   | 3             |
| 23  |            | GND     | Ground                              | 1             |
| 24  | CML-O      | Rx4n    | Receiver Inverted Data Output       | 3             |
| 25  | CML-O      | Rx4p    | Receiver Non-Inverted Data Output   | 3             |
| 26  |            | GND     | Ground                              | 1             |
| 27  | LVTTL-O    | ModPrsL | Module Present                      | 3             |
| 28  | LVTTL-O    | IntL    | Interrupt                           | 3             |
| 29  |            | Vcc Tx  | +3.3V Power supply transmitter      | 2             |
| 30  |            | Vcc1    | +3.3V Power supply                  | 2             |
| 31  | LVTTL-I    | LPMODE  | Low Power Mode                      | 3             |
| 32  |            | GND     | Ground                              | 1             |
| 33  | CML-I      | Tx3p    | Transmitter Non-Inverted Data Input | 3             |
| 34  | CML-I      | Tx3n    | Transmitter Inverted Data Input     | 3             |
| 35  |            | GND     | Ground                              | 1             |
| 36  | CML-I      | Tx1p    | Transmitter Non-Inverted Data Input | 3             |
| 37  | CML-I      | Tx1n    | Transmitter Inverted Data Input     | 3             |
| 38  |            | GND     | Ground                              | 1             |

## Product Datasheet

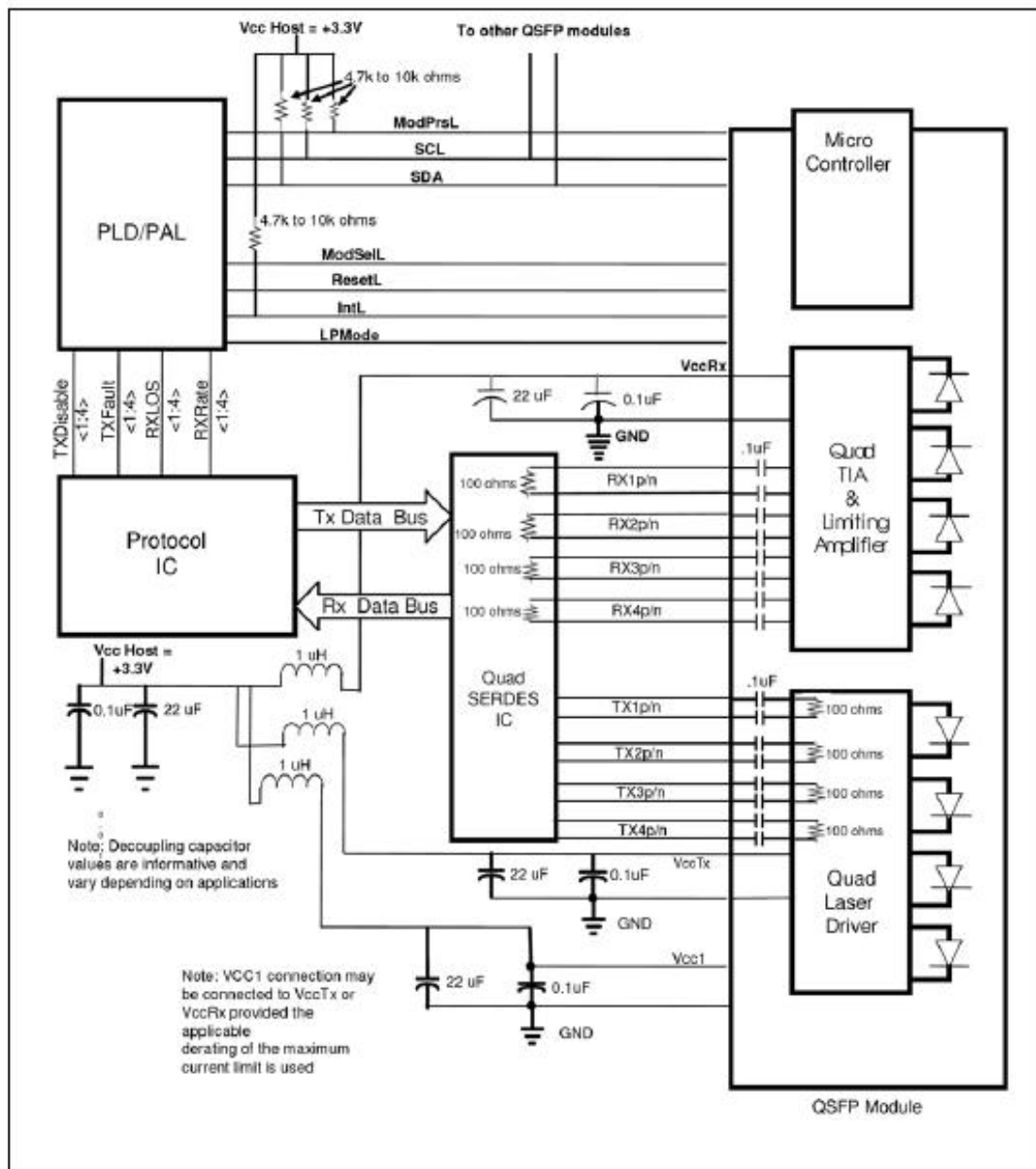


### RECOMMENDED HOST BOARD POWER SUPPLY CIRCUIT



### RECOMMENDED INTERFACE CIRCUIT

## Product Datasheet

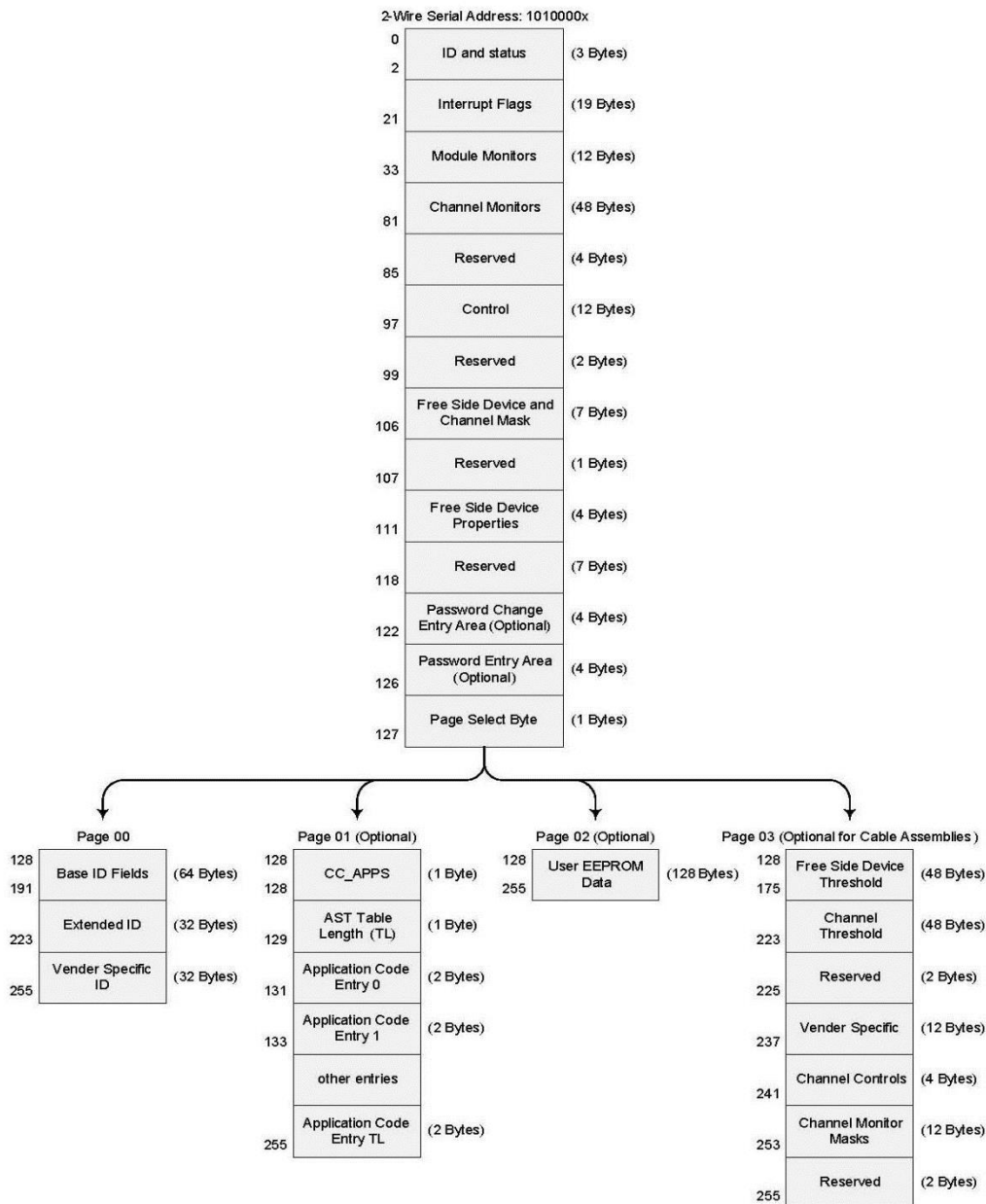




## Product Datasheet

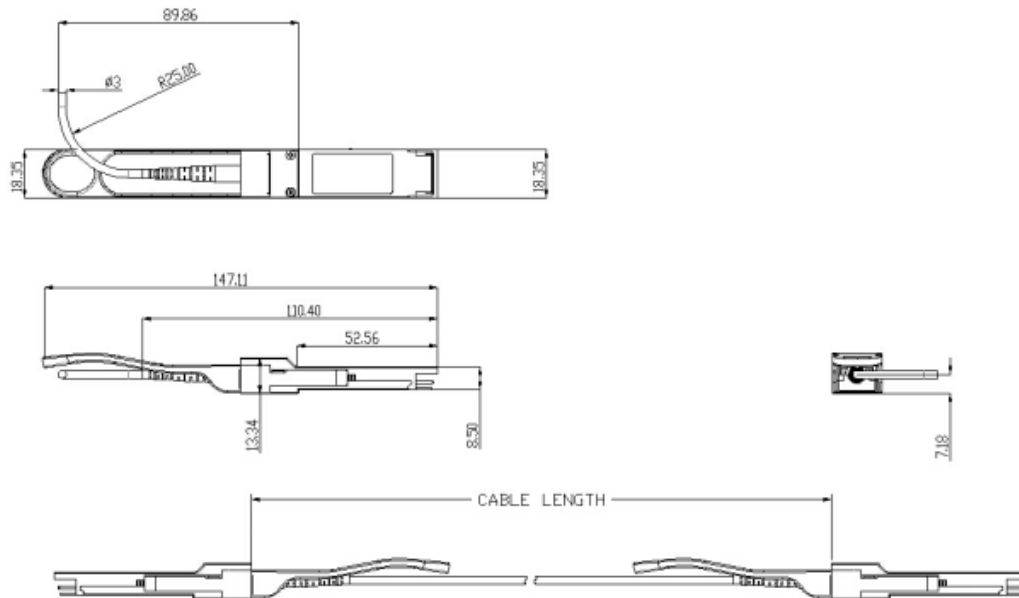
### Memory Map

The memory map is structured as a single address and multiple page approaches, according to the QSFP28 SFF-8636 MSA specification as shown in the below. For a more detailed description of this memory map or lower pages, please see our memory map document with flexible customization settings.



## Product Datasheet

### MECHANICAL DIMENSIONS



### Ordering Information

| Length | Note            |
|--------|-----------------|
| 3m     | OM3 Round Cable |
| 5m     | OM3 Round Cable |
| 10m    | OM3 Round Cable |
| 20m    | OM3 Round Cable |
| 30m    | OM3 Round Cable |
| 50m    | OM3 Round Cable |
| 70m    | OM3 Round Cable |
| 100m   | OM4 Round Cable |