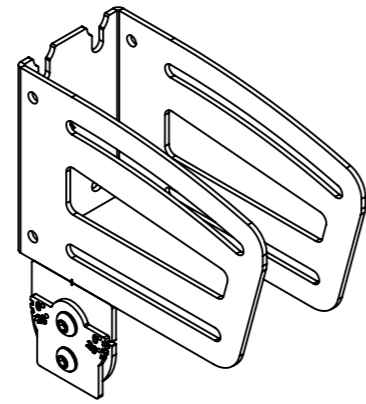
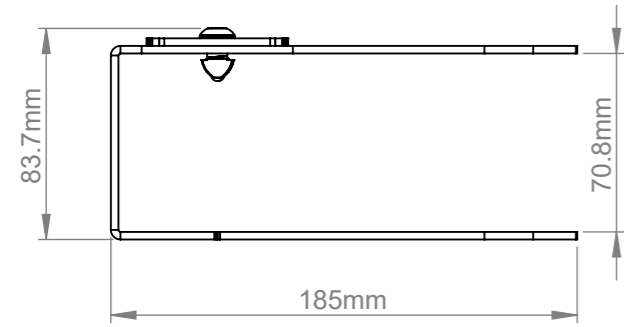
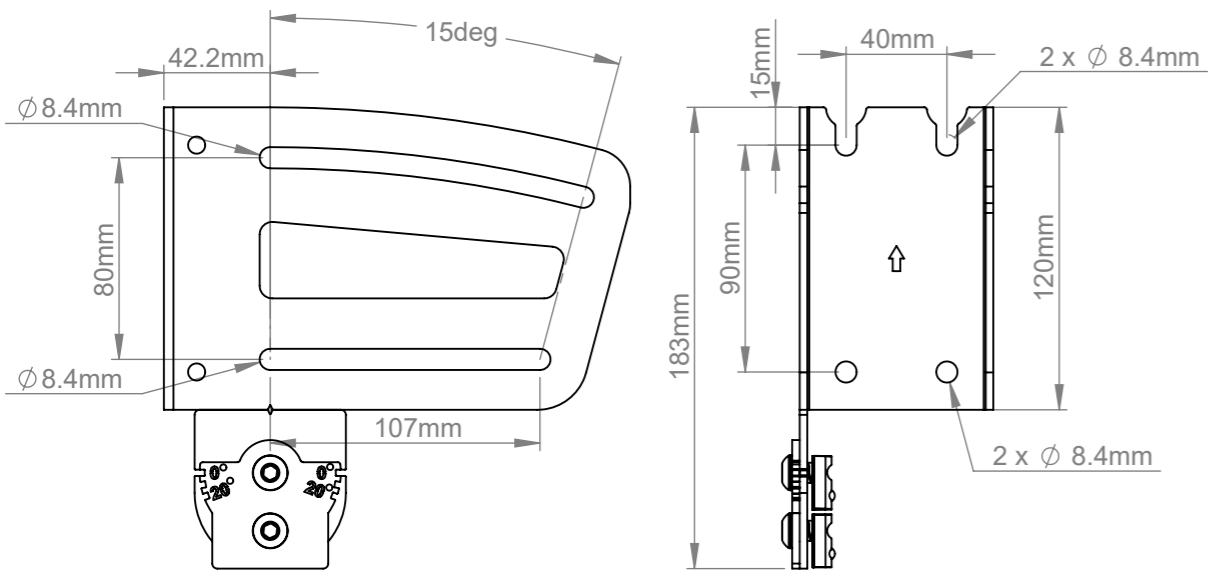
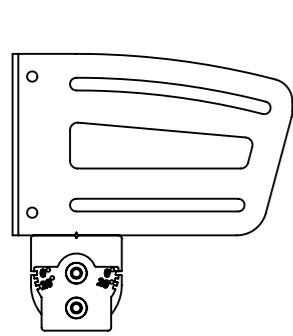


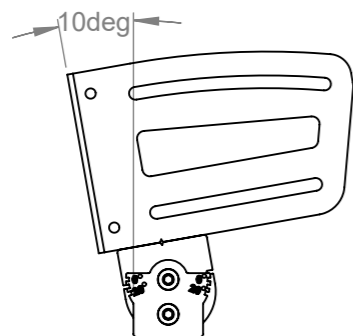
USE SINGLE TILT ADAPTOR



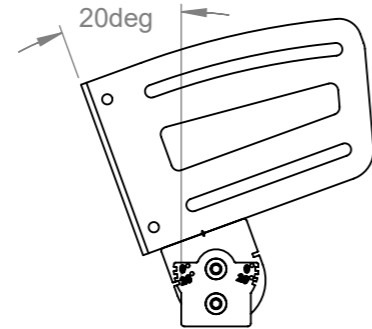
ISOMETRIC VIEW
SCALE: 1 : 4



TILT 0 DEGREE
SCALE 1 : 5

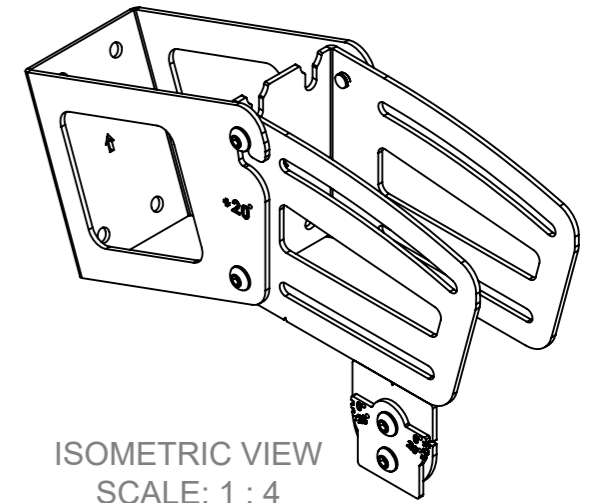
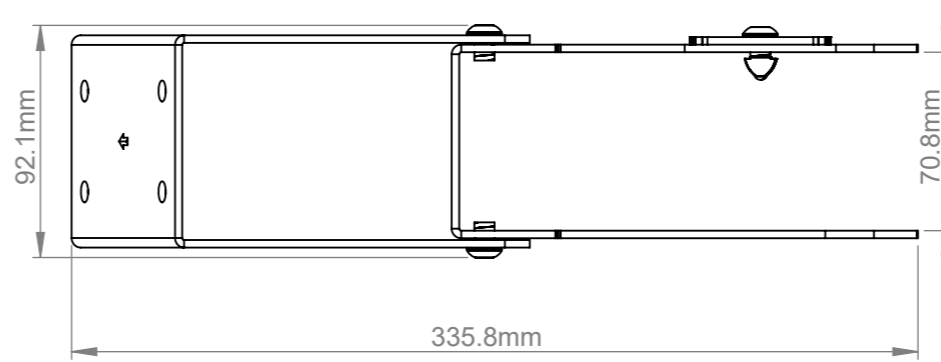
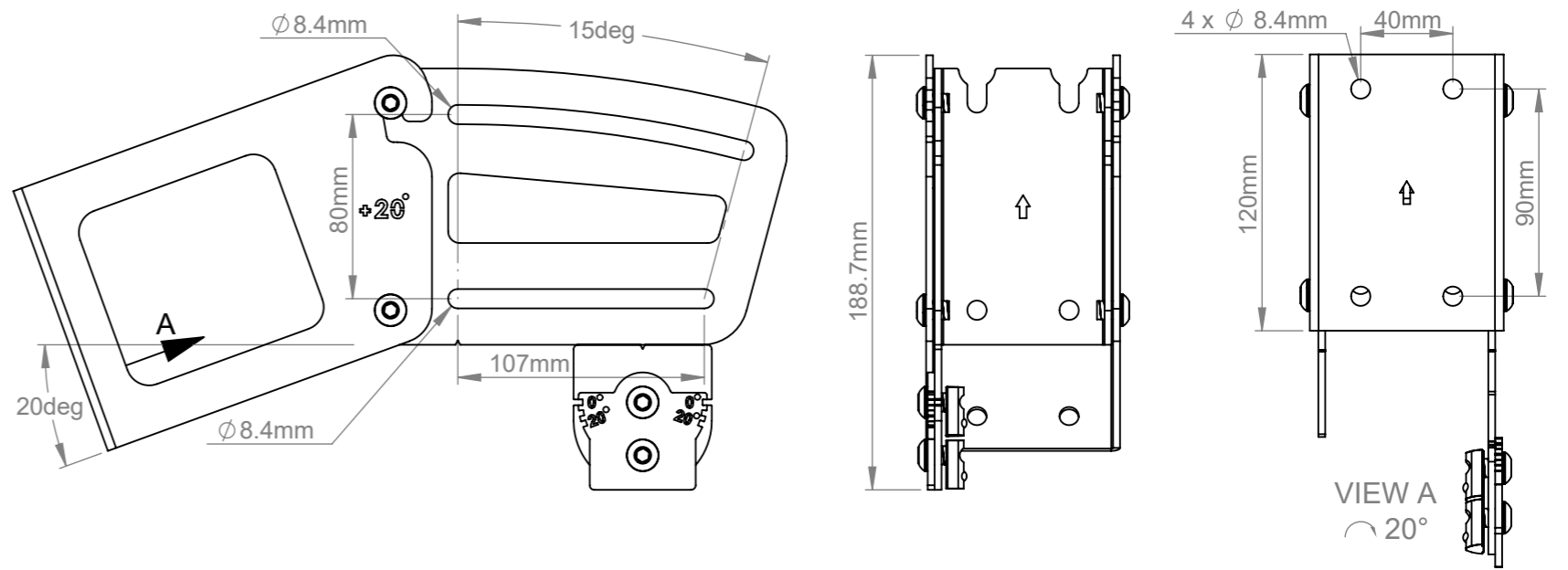


TILT 10 DEGREE
SCALE 1 : 5

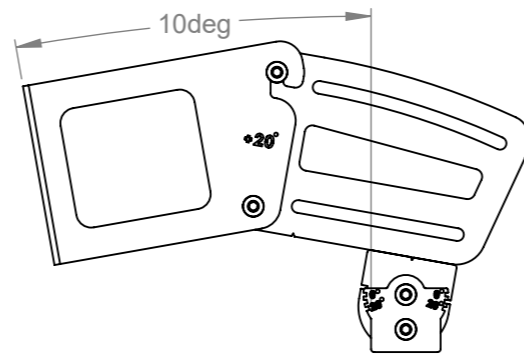


TILT 20 DEGREE
SCALE 1 : 5

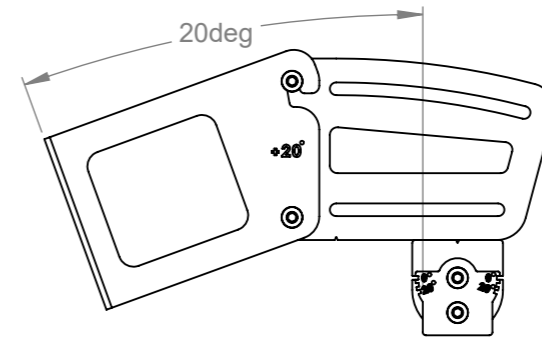
USE FULL EXTENSION TILT ADAPTOR



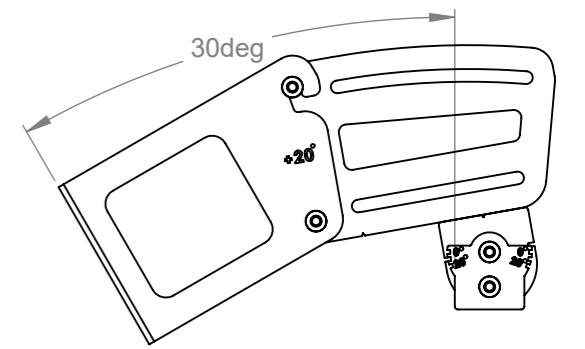
ISOMETRIC VIEW
SCALE: 1 : 4



TILT 10 DEGREE
SCALE 1 : 5



TILT 20 DEGREE
SCALE 1 : 5



TILT 30 DEGREE
SCALE 1 : 5

B-Tech International Design & Manufacturing Limited
Part of the B-Tech International Group

B-Tech No: BT8380-JPT

Title: SYSTEM X - Tilting Joining Plate Kit



UNLESS OTHERWISE SPECIFIED DIMENSIONS ARE IN MILLIMETERS

Size: A3
Scale: 1:3
Sheet: 1 of 1

Revision: R00

Date: 28/01/2022

File Name: BTD-BT8380-JPT