



B-TECH AV MOUNTS

BT8380-FFT

FALSE FLOOR TRIM FOR USE WITH BT8380 COLUMNS



BT8380-FFT False Floor Trims are designed to improve the look of installations into false floors. Trims can be retro-fitted on to existing columns using the split design and are ideal for making cosmetic improvements to an installation by covering any cut-outs made to the false floor.

FEATURES

- Designed to improve the look of a false floor mounted installation*
- Can be retro-fitted onto columns, using split design for easier installation
- Ideal for when a column passes through a raised floor
- Supplied with double sided adhesive tape to fix covers in position

*Column must also be fixed to the floor

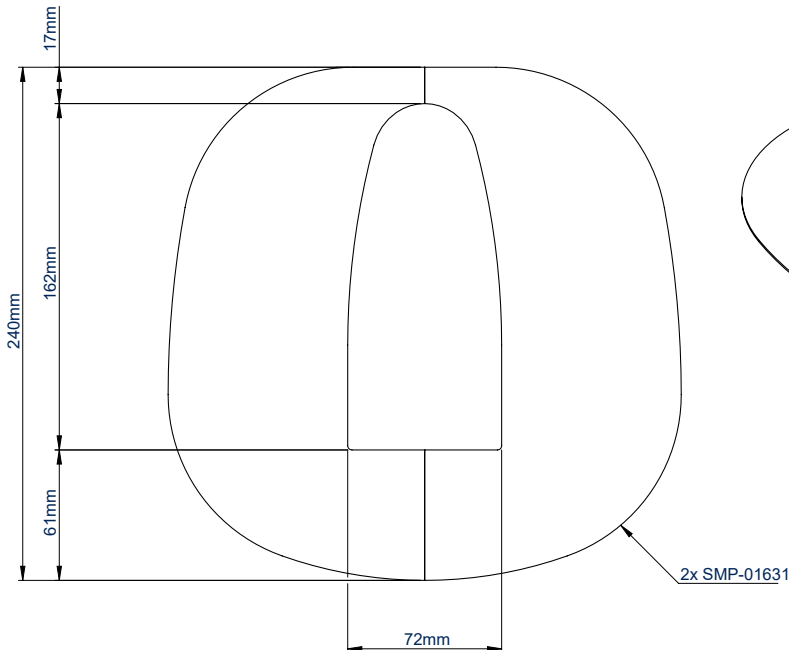
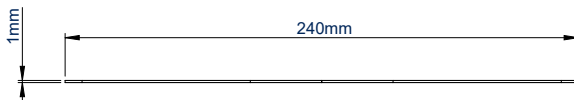
SPECIFICATION

| | |
|-------------------|-------------------------|
| Material | Steel (1mm) |
| Compatible column | BT8380-060 & BT8380-180 |
| Colour | Black |

PACKING INFORMATION

| COLOUR: | ORDER REF: | EAN CODE: | MASTER CARTON QTY: | INNER CARTON QTY: | MASTER CARTON WEIGHT: | MASTER CARTON CUBE: |
|---------|--------------|---------------|--------------------|-------------------|-----------------------|---------------------|
| Black | BT8380-FFT/B | 5019318305252 | 10 | 0 | 3.5kg | 0.004cbm |

TECHNICAL DRAWINGS



B-TECH AV MOUNTS

© 2017 B-Tech Av Mounts. All rights reserved. This information is provided for informational purposes only and does not constitute an offer or a contract. The information is subject to change without notice. B-Tech Av Mounts and its products are registered trademarks of B-Tech International Design & Manufacturing Limited. B-Tech Av Mounts is not liable for loss or damage caused by improper or incorrect installation, use, or modification of the product. Any reproduction or transmission or publication of any part of this specification is strictly prohibited, unless prior written permission has been granted by B-Tech International Design & Manufacturing Limited. E&OE.

SS-V1-BT8380-FFT-221021