

B-TECH AV MOUNTS

SYSTEM X™

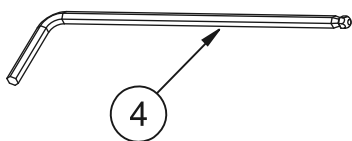
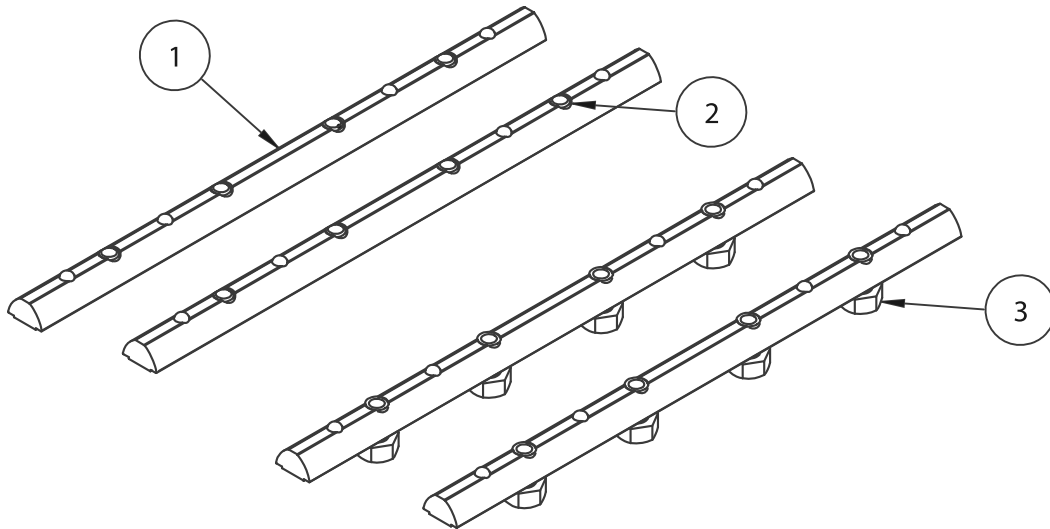
B-TECH AV MOUNTS

BT8380-EXTV

COLUMN EXTENSION KIT



PARTS LIST

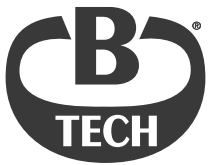


ITEM	PART NAME	QTY
1	CONNECTOR BAR	4
2	M6 x 8mm GRUB SCREW	8
3	M6 x 10mm HEX BOLT	8
4	3AF HEX KEY	1

Designed to connect together 2 BT8380 Vertical Columns



www.btechavmounts.com

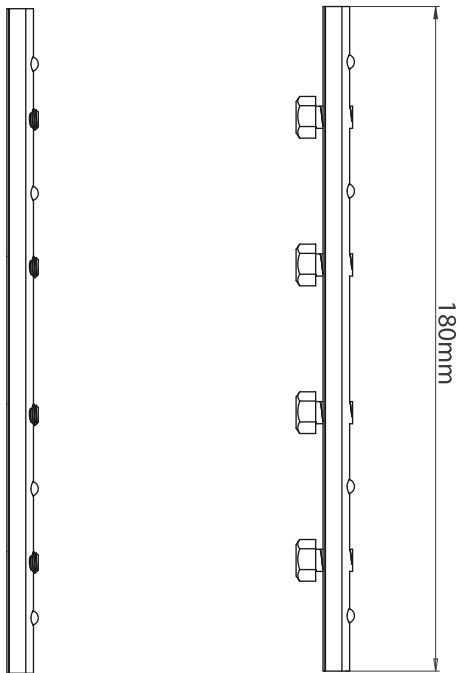
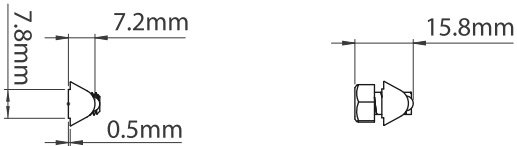


B-TECH AV MOUNTS®

BT8380-EXTV

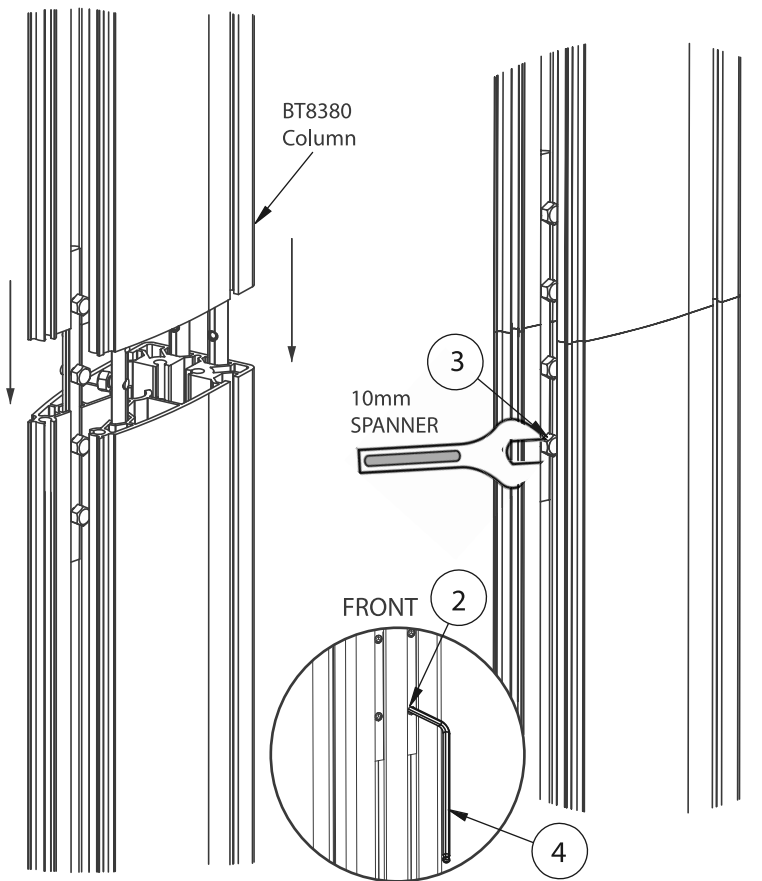
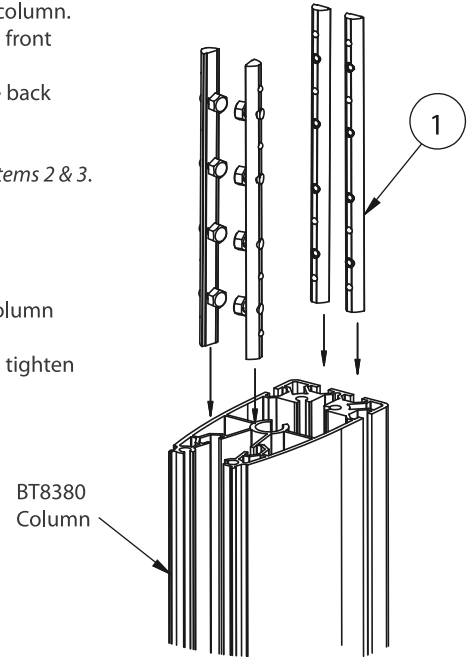
COLUMN EXTENSION KIT

PRODUCT DIMENSIONS



DESIGNED TO CONNECT TWO BT8380 VERTICAL COLUMNS

- i. Insert *item 1* into the lower column.
2x *item 1* (with *item 2*) in the front of the column.
2x *item 1* (with *item 3*) in the back of the column.
- ii. Tighten the bottom set of *items 2 & 3*.
- iii. Slide the upper column onto *item 1*.
- iv. Tighten *item 3* on rear of column with a 10mm spanner.
On the front of the column tighten *item 2* with *item 4*.



CONTACT:
info@btechavmounts.com

©2021 B-Tech International Design & Manufacturing Ltd. All rights reserved.
B-Tech AV Mounts is a division of B-Tech International Design & Manufacturing Ltd.
B-Tech AV Mounts and the B-Tech logo are registered trade marks.
All other brands and product names are trademarks of their respective owners.
Photographs are for illustrative purposes only. E&OE.
AMA-BT8380-EXTV-V2.1-0921-104 MADE IN VIETNAM

