

IDEAL FOR
UNEVEN
WALLS

BT8390-WFK6

SYSTEM X™

ADJUSTABLE HEIGHT & DEPTH RAIL MOUNTING BRACKET

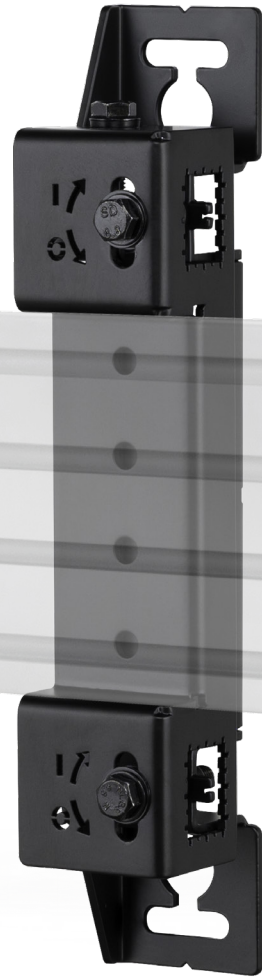
The BT8390-WFK6 is an adjustable wall bracket designed for the installation of dvLED video walls. As part of the System X Range, it is compatible with B-Tech's range of horizontal mounting rails and features both height and depth adjustment to give full, precise control over the install across every axis, no matter how uneven the wall surface is. Keyhole fixing points make installation quick and easy and the bracket is also compatible for mounting onto vertical columns and poles, meaning it can be used in floor stand applications as well as for wall mounted installations.

SPECIFICATION

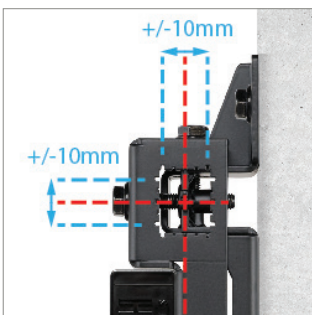
Wall to rear of rail distance	37mm (+/- 10mm)
Dimensions	W: 56mm H: 310mm D: 59-67.3mm
Adjustable Depth & Height	+/- 10mm
Max load (per bracket)	50kg
Brackets supplied per pack	1
Colour	Black

FEATURES

- Designed to mount **BT8390** horizontal rails and **BT8393** vertical columns to walls and poles
- Mounts the **BT8390** horizontal rail just 37mm from the wall with a +/-10mm adjustable depth to ensure a flat to the wall installation
- BT8390-WFK6** can also be pole mounted using B-Tech accessory collars
- Keyhole mounting allows for easy installation
- Micro-Adjustment of the height of the mounting rail with the supplied Hex Key allow for precision alignment
- Easy adjustment of the depth of the rails with a 13mm spanner ideal for counteracting uneven walls
- Integrated adjustment guides for straightforward alignment
- All mounting hardware included



PER BRACKET



Micro-Adjustment of the height & depth of the installation to counteract uneven walls



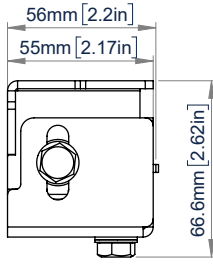
Integrated adjustment guides for straightforward alignment



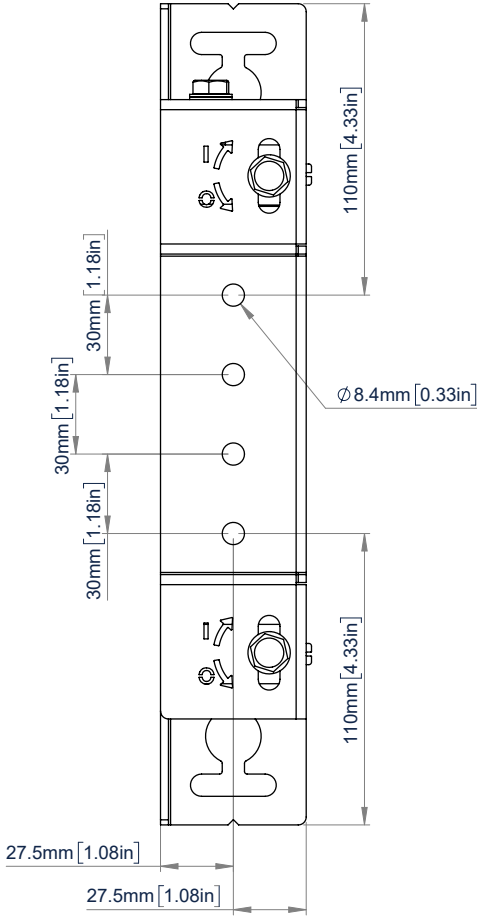
Keyhole mounting allows for easy installation



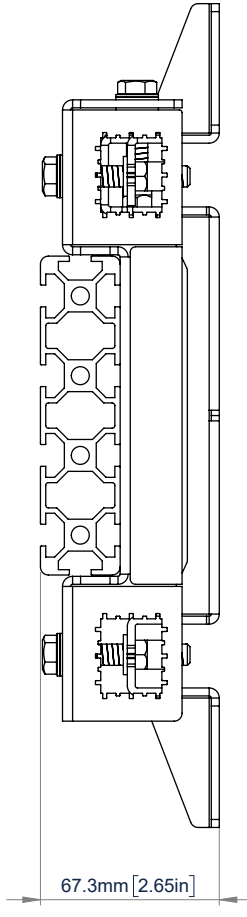
Can also be pole mounted using B-Tech accessory collars



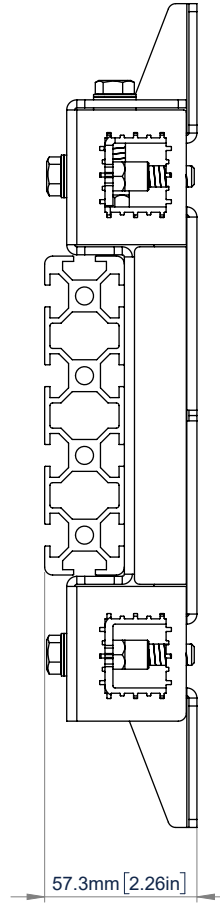
TOP VIEW



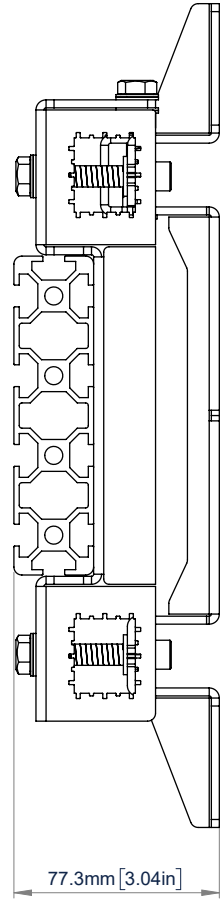
FRONT VIEW



SIDE VIEW



SIDE VIEW WITH BT8390 MOUNTING RAIL MINIMUM DEPTH



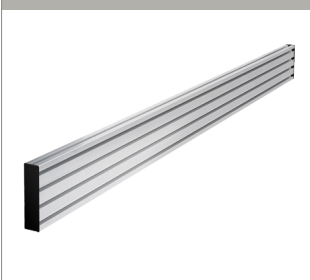
SIDE VIEW WITH BT8390 MOUNTING RAIL MAXIMUM DEPTH

PACKING INFORMATION

COLOUR:	ORDER REF:	EAN CODE:
Black	BT8390-WFK6/B	5019318307287

RELATED PRODUCTS

BT8390-030/050/070/150/175/200



Mounting Rails can be fixed to columns, walls or poles using System X components

BT7052



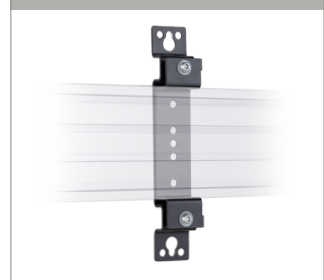
Heavy Duty Ø50mm Accessory Collar designed to attach a variety of mounts and accessories onto B-Tech poles.

BT8390-WFK1



The BT8390-WFK1 Bracket designed to fix BT8390 mounting rails onto walls

BT8390-WFK5



The BT8390-WFK5 Bracket with Depth Adjustment is designed to fix BT8390 rails onto walls or vertical support columns to install large format displays.

© 2019 B-Tech Professional Design & Manufacturing Ltd. All rights reserved.
 The information in this specification sheet reflects the current technical specifications of the product as of the date of print.
 We reserve the right to change the technical or physical specifications without prior notice. This B-Tech Professional Design & Manufacturing Ltd.
 is not responsible for loss or damage caused by improper or mounting on unsuitable structures. Any reproduction or retransmission or replication of any part of this
 specification is expressly prohibited, unless prior written permission has been granted by B-Tech Professional Design & Manufacturing Ltd. (BTE).

SS-V1-BT8390-WFK6-270623