



B-TECH AV MOUNTS™

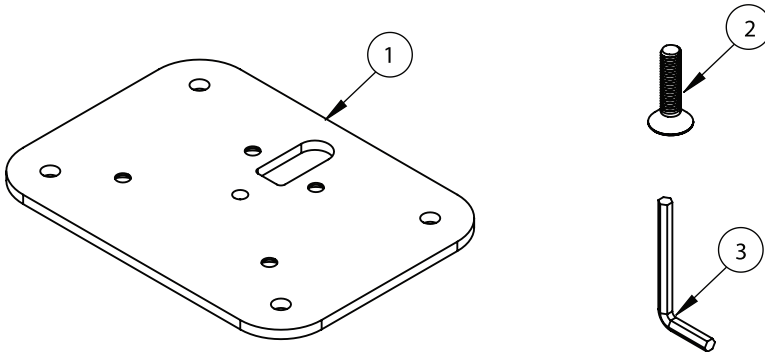
# BT8381-FFB

## FIXED FLOOR BASE

FOR USE WITH A BT8381 COLUMN



## PARTS LIST



ITEM	DESCRIPTION	QTY
1	FLOOR BASE	1
2	M8 x 35mm CSK HEX SCREW	4
3	5AF HEX KEY	1



SINGLE



DOUBLE

# INSTALLATION SAFETY INSTRUCTIONS



**CAUTION:** This product is intended for use only with the maximum weights indicated. Use with equipment heavier than the maximum indicated may result in instability causing possible injury.

B-Tech AV Mounts, it's distributors and dealers are not responsible for damage or injury caused by improper installation, improper use, modifications, installations over the specified weight capacity and/or failure to observe these safety instructions. In such cases, any warranty will expire.

It is recommended that this product should only be installed by a qualified professional / installer.

B-Tech AV Mounts does not claim any liability for any difficulties that may arise from the interpretation contained in these instructions. Failure to mount this product correctly may lead to serious injury and/or death.

Please check carefully to make sure there are no missing or defective parts - defective parts must never be used. In the event of missing and/or defective parts, or technical questions, please contact an authorised dealer.

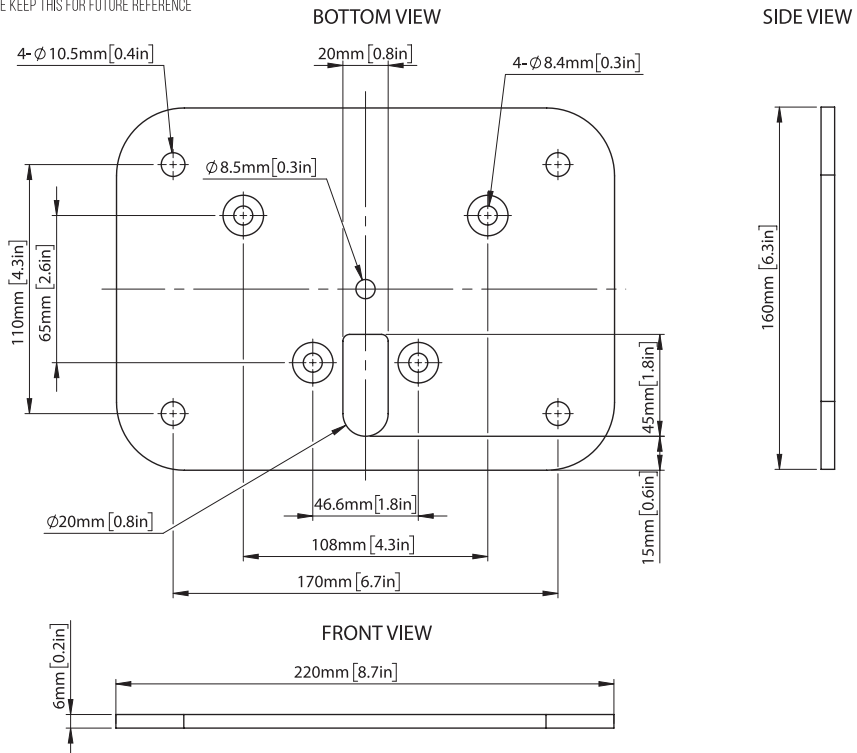
Please pay careful attention to where this product is located. Designed for indoor use, this product is suitable for public or home installation. Check load capacity of the floor prior to installation as some surfaces are not suitable for installation.

When verifying the stability of the structure, consider the following external factors: The strength of the floor, exposure to sudden and severe wind and danger arising from contact with people and / or objects (eg installations in passageways, emergency exits), if located in a public or frequently populated area ensure that the product is out of the immediate reach of people. When drilling holes it is essential to avoid contact with electrical cables and water or gas pipes contained within. It is recommended that periodic inspections of the product are made as frequently as possible to ensure that safety is maintained.

*Please keep these instructions for future reference.*

## BT8381-FFB DIMENSIONS

PLEASE KEEP THIS FOR FUTURE REFERENCE



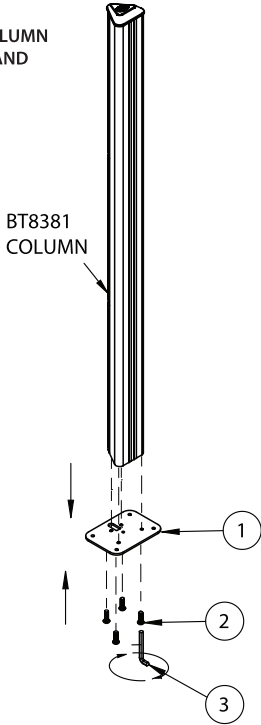
THESE INSTRUCTIONS ARE INTENDED AS A GUIDE ONLY AND B-TECH ACCEPTS NO LIABILITY FOR THE ACCURACY OF THE INFORMATION CONTAINED IN THIS DOCUMENT.

# INSTALLATION INSTRUCTIONS

## 1. ATTACH BASE TO COLUMN

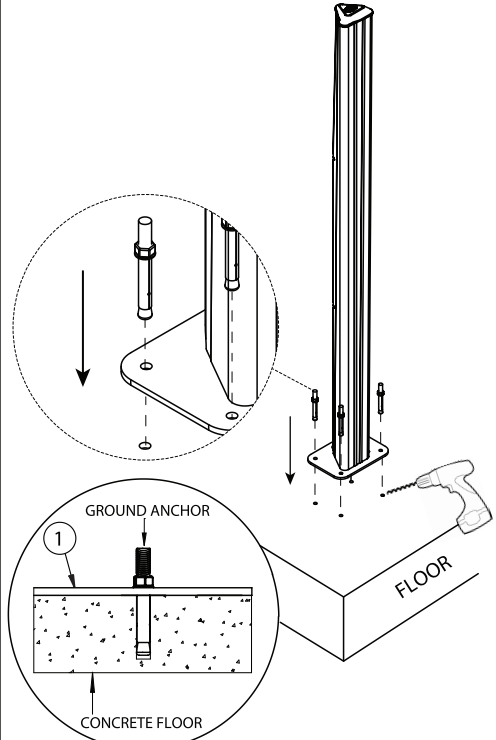
Fix item 1 to a BT8381 column using item 2.

SINGLE COLUMN  
FLOOR STAND

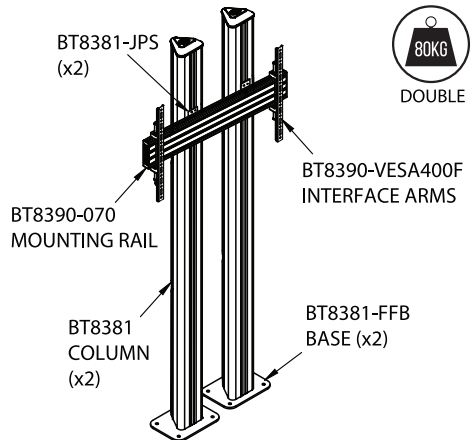
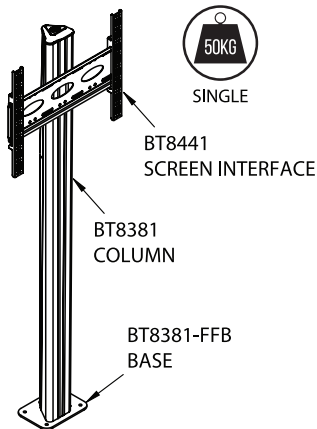


## 2. BOLT BASE TO FLOOR

Pre-drill holes in floor and using suitable ground anchor fixings (not supplied), fix stand to floor.



## EXAMPLE INSTALLATIONS





**CONTACT:**

[info@btechavmounts.com](mailto:info@btechavmounts.com)

©2022 B-Tech International Design and Manufacturing Ltd. All rights reserved.

B-Tech AV Mounts is a division of B-Tech International Design and Manufacturing Ltd.

B-Tech AV Mounts and the B-Tech logo are registered trade marks.

All other brands and product names are trademarks of their respective owners.

Photographs are for illustrative purposes only. E&OE.

AMA-BT8381-FFB-V1-0322-03 MADE IN THE P.R.C.

