



POLE ADAPTOR
 SUPPLIED
 FOR EXTENDED
 CEILING DROPS

BT899XL

EXTRA-LARGE PROJECTOR CEILING MOUNT WITH MICRO-ADJUSTMENT



BT899XL is a universal projector ceiling mount designed to mount projectors up to 25kg. Compatible with B-Tech's System 2 professional range, this mount can be fitted flush to the ceiling or attached to BT7850 Ø50mm poles using the supplied pole adaptor. The Projector Mount is designed with easy adjustment of tilt, roll and swivel and optional micro-adjustment for short throw projectors making this mount the ideal solution for installing heavy duty projectors.

SPECIFICATION

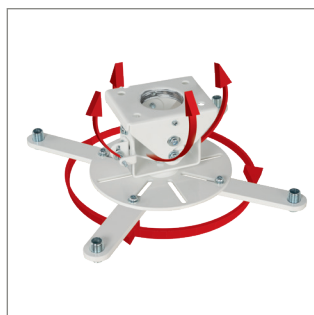
Max load	25kg
Tilt (pitch)	+/- 13°
Roll	+/- 6°
Yaw	360°
Ceiling drop	98.5mm
Max distance between fixings	493mm
Colour Options	Black or White

FEATURES

- Can be mounted directly to the ceiling or onto a pole
- The 52mm collar is compatible with 50mm (2") pole systems including B-Tech System 2 and 1.5" NPT pipe systems
- Pre-assembled for simple three step installation
- Micro-adjustment for short throw projectors
- Integrated cable management for a smart installation
- Security locking screws and Allen key provided for a secure installation
- Unique 'Carousel' mounting plate for universal compatibility
- Suitable for projectors using M2.5, M3, M4, M5 and M6 fixings
- All mounting hardware included



Unique 'carousel' mounting plate for universal compatibility



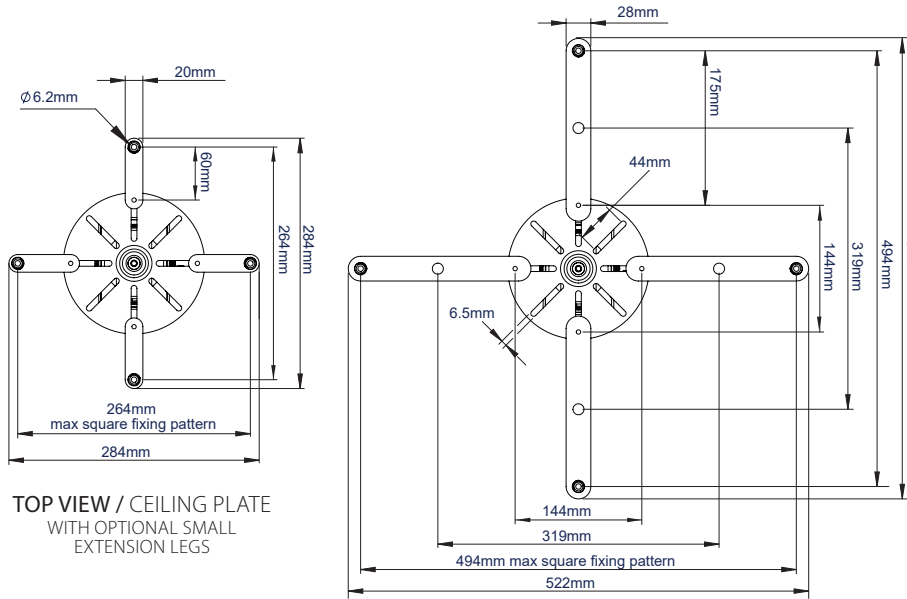
Features easy tilt, roll and swivel functions



Compatible with B-Tech System 2 poles and ceiling mounts

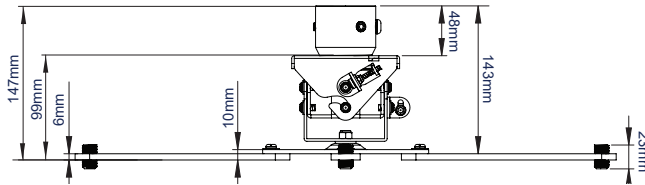


Micro-adjustment feature is ideal for short throw projectors

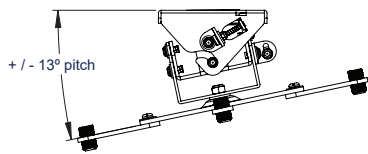


TOP VIEW / CEILING PLATE WITH OPTIONAL SMALL EXTENSION LEGS

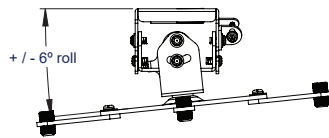
TOP VIEW / CEILING PLATE WITH OPTIONAL LARGE EXTENSION LEGS



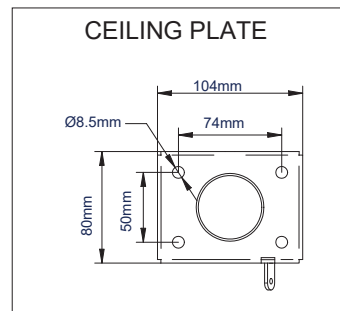
SIDE VIEW / FLAT WITH POLE ADAPTOR ATTACHED



SIDE VIEW / PITCH



FRONT VIEW / ROLL



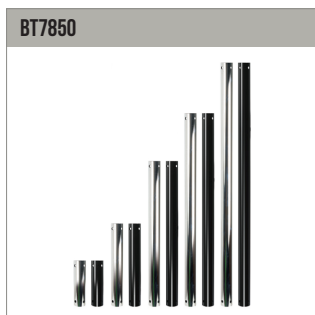
CEILING PLATE

PACKING INFORMATION

ORIGINAL DESIGNS BY B-TECH AV MOUNTS - REGISTERED DESIGNS & PATENTS APPLY

COLOUR:	ORDER REF:	EAN CODE:	MASTER CARTON QTY:	INNER CARTON QTY:	MASTER CARTON WEIGHT:	MASTER CARTON CUBE:
Black	BT899XL/B	5019318089657	8	0	11.7kg	0.022cbm
White	BT899XL/W	5019318306181	8	0	11.7kg	0.022cbm

RELATED PRODUCTS



BT7850
Ø50mm Poles available in different lengths up to 3m



BT7822
Ceiling Mount securely fixes Ø50mm poles to the ceiling



BT7808
Ceiling Mount with Tilt ideal for mounting Ø50mm poles to angled ceilings



BT899
Projector Ceiling Mount with Micro-Adjustment Maximum distance between fixings 370mm

© 2015 B-Tech Professional Design & Manufacturing Ltd. All rights reserved. The information in this specification is intended to provide a general overview of the product and is not intended to be used as a substitute for the manufacturer's instructions. B-Tech Professional Design & Manufacturing Ltd. is not responsible for any damage or loss of data caused by the use of this product. All other trademarks are the property of their respective owners.