



FOR
BOSE
 logitech
 Yealink neat.
 VIDEO BARS

BT7877

MOUNTING PLATE

FOR BOSE VIDEOBAR VB1/VB-S,
 NEAT.BAR/NEAT.BAR PRO,
 YEALINK MSPEAKER II &
 LOGITECH RALLY PLUS

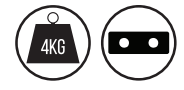


The BT7877 is a mounting plate designed for mounting Bose Videobar VB1, Neat.Bar, Neat.Bar Pro, Yealink MSpeaker II or Logitech Rally Plus Speakers to a variety of B-Tech products. Using an accessory mounting arm, the plate can be positioned above or below a screen mounted on a B-Tech flat screen wall mount or to a System X Rail. The BT7877 is also compatible with B-Tech accessory collars for pole mounting, or alternatively can be fitted directly to a B-Tech column.

SPECIFICATION	
Max Load	4kg
Dimensions	W: 250mm x H: 40mm
Steel thickness	5mm
Colour	Black

FEATURES

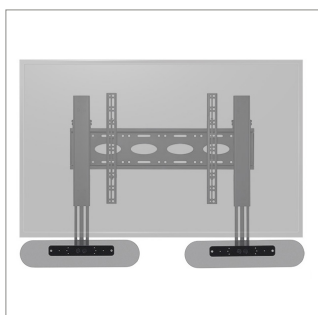
- Designed to mount a Bose Videobar VB1 / VBS, Neat.Bar, Neat.Bar Pro or a Yealink MSpeaker II
- Can also mount Logitech Rally Plus dual speakers using 2x BT7877
- Mounts directly to a BT8380 / BT8381 Column
- Compatible with BT7052 / BT7841 Collars for use with Ø50mm Poles
- Use with a BT7031 Adjustable Mounting Arm to mount on to a BT8431 / BT8432 / BT8441 / BT8442 / BT9901 / BT9903 Flat Screen Wall Mount
- Use with a BT8390-SA Adjustable Mounting Arm to mount above or below a screen mounted on a BT8390 System X Rail
- Simple installation
- All mounting hardware included



Designed to mount Bose Videobar VB1, Neat.Bar, Neat.Bar Pro, Yealink Mspeaker II and Logitech Rally Plus Speakers



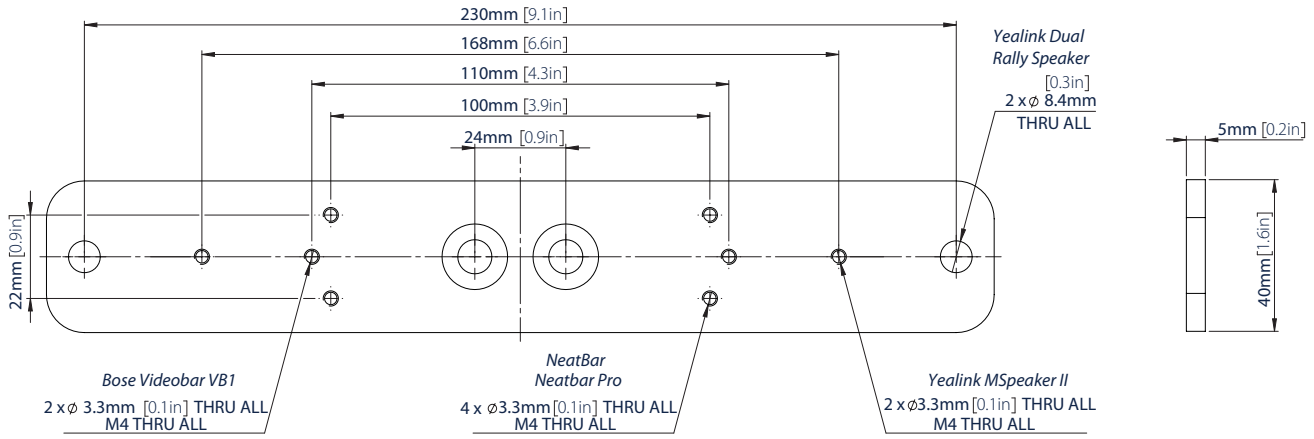
Fits directly to a BT8380 or BT8381 column



Use x2 BT7877 to mount Logitech Rally Plus Duel Speakers. Shown above mounted to x2 Accessory Mounting Arms.

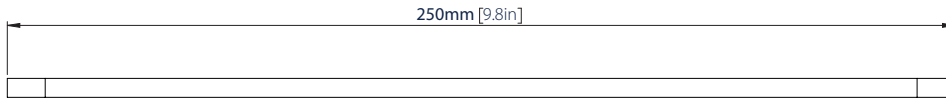


Compatible with BT7052 collars for use with Ø50mm poles



FRONT VIEW

SIDE VIEW



TOP VIEW

PACKING INFORMATION

COLOUR:	ORDER REF:	EAN CODE:
Black	BT7877/B	5019318307263

ACCESSORIES AND RELATED PRODUCTS



Adjustable Accessory Mounting Arm allows mounted accessories to be positioned above or below the screen(s) on a compatible B-Tech flat screen wall mounts



Adjustable Accessory Mounting Arm allows mounted accessories to be positioned above or below the screen(s) on BT8390 System X Rails



Mounts to any B-Tech Column for a fixed, freestanding or mobile applications



Video Bar Mounting Plate designed to mount a Yealink UVC40 / A20 / MeetingEye 400, Logitech Meet Up & Poly Studio X30 to a range of B-Tech products

© 2019 B-Tech Professional Design & Manufacturing Ltd. All rights reserved. The information in this specification is subject to change without notice. B-Tech Professional Design & Manufacturing Ltd. is not responsible for loss or damage caused by improper installation or use of the product. Any reproduction or transmission of any part of this specification is strictly prohibited unless prior written permission has been granted by B-Tech Professional Design & Manufacturing Ltd. (BTD).