

Technical Datasheet

AFBR-5921ALZ-C

Avago Broadcom® Compatible 2x5 SFF 2.5Gbps Transceiver

+3.3V, LC, Multi-Mode, 850nm, 300m, Extended Temperature

FEATURES

- 2x5 Pin Package, Single-Mode Transceiver
- RoHS Compliant, Lead Free
- FP Laser Diode Transmitter
- 3.3V power supply
- LC duplex optical interface
- CML Differential Inputs
- CML Outputs and (LV)TTL signal detect
- Class 1 Laser International Safety Standard IEC 825 Compliant
- Extended Operating Temperature Range: -10°C to 85°C
- 850nm VCSEL Transmitter
- Link lengths at 2.125 GBd:
 - 0.5 to 300 m – 50/125 µm MMF
 - 0.5 to 150 m – 62.5/125 µm MMF
- Link lengths at 1.0625 GBd:
 - 0.5 to 500 m – 50/125 µm MMF
 - 0.5 to 300 m – 62.5/125 µm MMF

APPLICATIONS

- Fiber Channel Switch Infrastructure
- Other optic links

DESCRIPTION

ATGBICS AFBR-5921ALZ-C transceiver module is the perfect solution for high-speed communication networks. These transceiver modules support data rates up to 2.5Gbps. The module is fully compliant with the 2X5 standard package defined by the Small Form Factor Multi-Sourcing Agreement (MSA).

This transceiver module provides the system designer with solutions for Telecom, Datacom, and other Fiber Channel applications.

Technical Datasheet

Absolute Maximum Ratings

Parameter	Symbol	Min	Max	Units	Note
Storage Temperature	TST	-40	+85	°C	-
Relative Humidity	RH	5	95	%	-
Supply Voltage	VCC	0	+3.6	V	-

Recommended Operating Environment and Electrical Characteristics:

Parameter	Symbol	Min	Typ	Max	Units	Note
Supply Voltage	VCC	+3.1	+3.3	+3.5	V	-
Supply Current	Icc	-	-	260	mA	-
Operating Case Temperature	TOP	0	-	+70	°C	1
		-10	-	+85		2
Data Rate	B			5	Gbps	-
Soldering temperature		-	-	260	°C	3
Soldering duration		-	-	10	Sec	3

Notes:

1. Standard level
2. Industrial level
3. Not recommended wave soldering

Technical Datasheet

Optical Parameters

Transceiver Optical Characteristics (Ambient Operating Temperature $T_a = +25 \pm 5^\circ\text{C}$, $V_{CC} = 3.3 \pm 0.2\text{V}$)

Parameter	Symbol	Min	Typ	Max	Units	Notes
Average Launch Power	$P_{o, \text{Avg}}$	-8		0	dBm	
Output Center Wavelength	c	840	850	860	nm	
Output Spectrum Width	σ			0.45	nm	RMS(σ)
Laser Off Power	P_{off}			-30	dBm	
Extinction Ratio	ER	8.2			dB	
Relative Intensity Noise	RIN			-128	dB/Hz	12dB reflection
Transmitter Dispersion Penalty	TDP			3.9	dB	
Optical Return Loss Tolerance				12	dB	

Receiver Optical Specifications ($T_a = +25 \pm 5^\circ\text{C}$, $V_{CC} = 3.3 \pm 0.2\text{V}$)

Parameter	Symbol	Min	Typ	Max	Units	Notes
Input Center Wavelength	c	840	850	860	nm	
Receiver Sensitivity	Sen1			-16	dBm	
Receiver Overload	P _{MAX}	-1			dBm	
LOS -- Deasserted	LOSD			-16	dBm	Transition: low to high
LOS -- Asserted	LOSA	-30			dBm	Transition: high to low
Los Hysteresis	LOSH	0.5	-	-	dB	
Receiver Reflectance				-12	dB	

Technical Datasheet

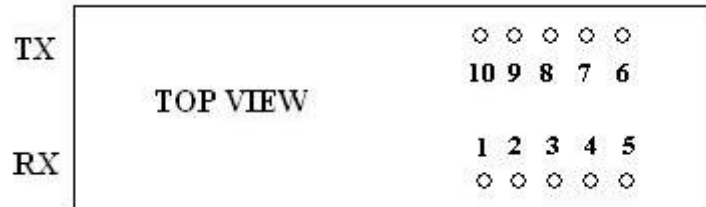
Electrical Parameters

Transceiver Electrical Characteristics (Ambient Operating Temperature $T_a=+25\pm 5^\circ\text{C}$, $V_{CC} = 3.3\pm 0.2\text{V}$)

Parameter	Symbol	Min	Typ	Max	Units	Notes
High-Speed Signal (CML) Interface Specification						
Input Data Rate			-	5	Gb/s	
Differential Input Impedance	Rin		100		Ω	Internally AC coupled
Single Ended Output Voltage Tolerance		-0.3		4	V	
Common mode voltage tolerance		15			mV	
Tx Input Diff Voltage	VI	90		350	mV	
Tx Fault	VoL	-0.3		0.4	V	At 0.7mA
Output Data Rate			-	5	Gb/s	
Differential Output Impedance	Rout		100		Ω	
Single Ended Output Voltage Tolerance		-0.3		4	V	
Rx Output Diff Voltage	Vo	150		425	mV	
Rx Output Rise and Fall Time	Tr/Tf	30			ps	20% to 80%
Low-Speed Signal (LVTTTL) Interface Specification						
Input High Voltage		2.0		$V_{CC}+0.3$	V	
Input Low Voltage		GND		0.8	V	
Output High Voltage		2.4		V_{CC}	V	
Output Low Voltage		GND		0.5	V	

Technical Datasheet

Pin Assignment



Pin Function Definitions

Pin #	Pin Name	Description	Note
1	VEER	Receiver Ground	-
2	VCCR	Receiver Power Supply	-
3	SD	Signal Detect. (LV)PECL or (LV)TTL output	1
4	RD-	Inv. Received Data Out	-
5	RD+	Received Data Out	-
6	VCCT	Transmitter Power Supply	-
7	VEET	Transmitter Ground	-
8	TDIS	Transmitter Disable	2
9	TD+	Transmit Data In	-
10	TD-	Inv. Transmit Data In	-

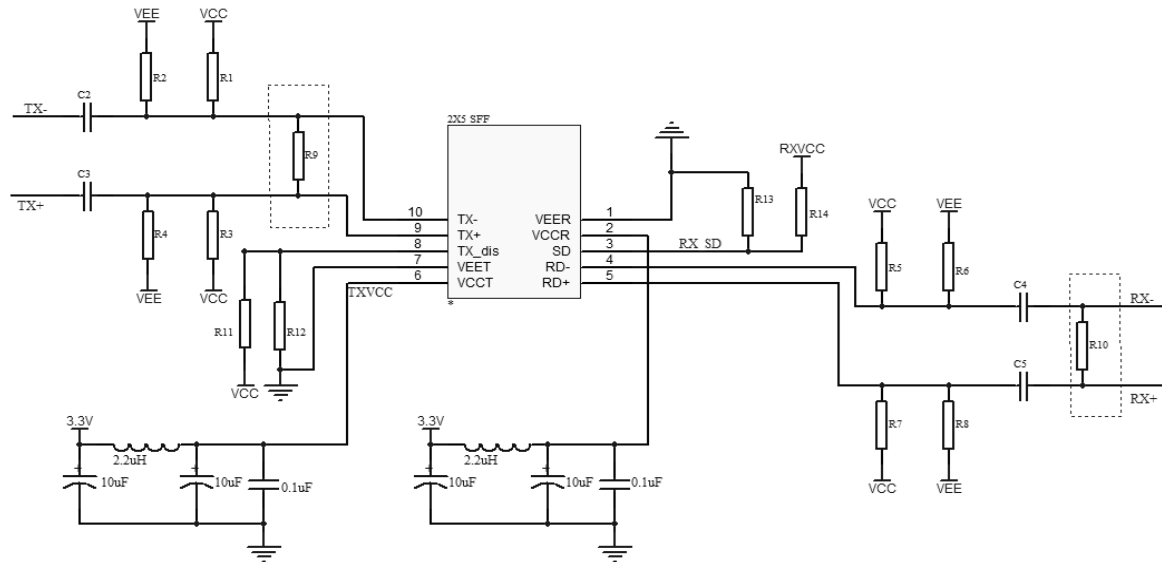
Notes:

1: (LV)PECL-Normal optical input levels to the receiver result in logic “1” output, pull-down 130Ω or 270Ω resistor, (LV)TTL-Normal optical input levels to the receiver result in logic “0” output, pull-up 10kΩ resistor.

2: This is an input that is used to shut down the transmitter optical output. Transmitter on in logic “0”.

Technical Datasheet

Recommended Circuit



$R1=R3=R5=R7=130\Omega$, $R2=R4=R6=R8=82\Omega$, $C2=C3=C4=C5=104p$, $R5=R10=100\Omega=NC$,
 $R11=R12=10K$,

$SD=LVPECL$: $R14=10K=NC$, $R13=130\Omega$, $SD=LVTTTL$: $R14=10K$, $R12=130\Omega=NC$.

Technical Datasheet

Mechanical Dimensions (units: mm)

