

STYLISH
HIGH-END
AESTHETIC

BT8562

UNIVERSAL FLAT SCREEN TROLLEY

As part of B-Tech's Designer Trolley range, the BT8562 is a high-end mounting solution which adds a touch of aesthetic class to any mobile display requirement. Featuring a triangular shaped column, the BT8562 has a modern, contemporary look and is universally suitable for mounting screens in both landscape and portrait orientations. Levelling screws allow post-installation screen levelling and integrated cable management keeps finished installations looking neat and tidy. Non-marking, braked castors make repositioning quick and easy without marking or scuffing floor surfaces and AV components such as shelves can be fitted directly to the column to accessorise the install.

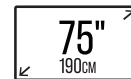
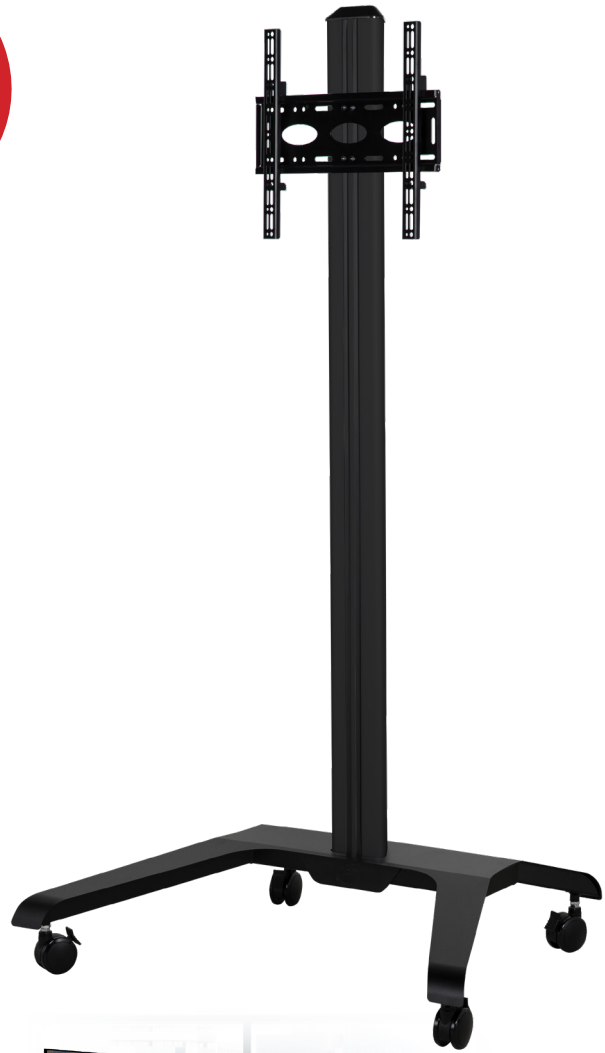
SPECIFICATION

Recommended screen size	up to 75"
Max load	70kg
VESA® & non-VESA fixings	up to 600 x 400mm
Trolley dimensions	H:1885mm* W:1029 D:767mm
Colour options	Black

*Measurement from floor to top of vertical column (including end cap)

FEATURES

- Universal design suitable for displaying screens in a landscape or portrait orientation
- 3" non-marking locking / braked castors included
- Collar compatible accessories such as shelves (available separately) can be fitted directly to the column
- Interface arms include levelling screws to adjust the height of the screen
- Integrated cable management for a smart installation
- Safety screws help prevent unauthorised removal of screen
- Simple 'hook-on' screen installation with all mounting hardware included



Dual colour options available for a modern contemporary look



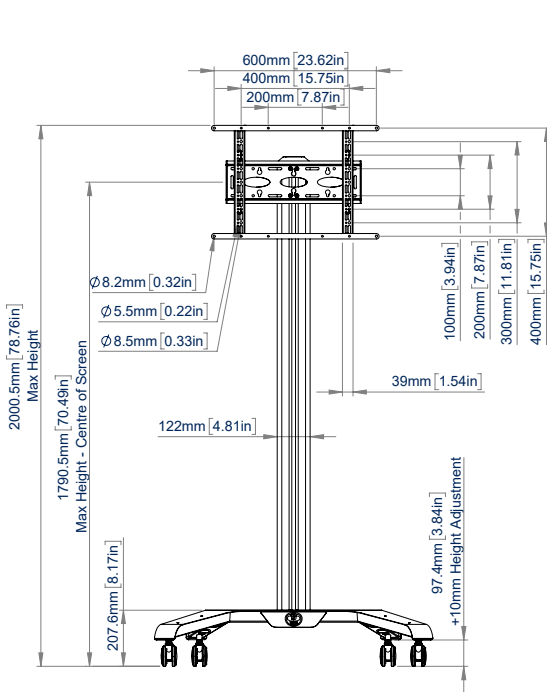
3" non-marking locking / braked castors included



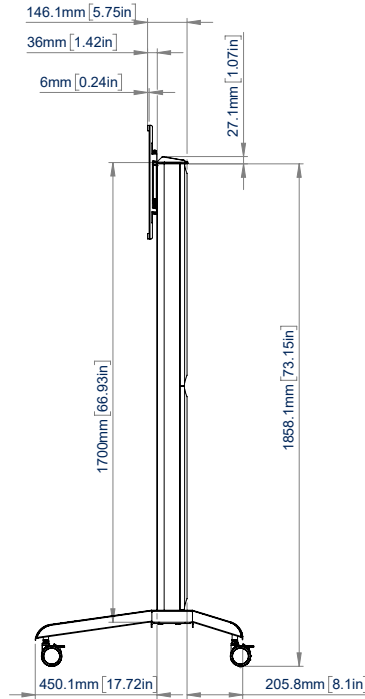
Interface arms include levelling screws to adjust the height of the screen



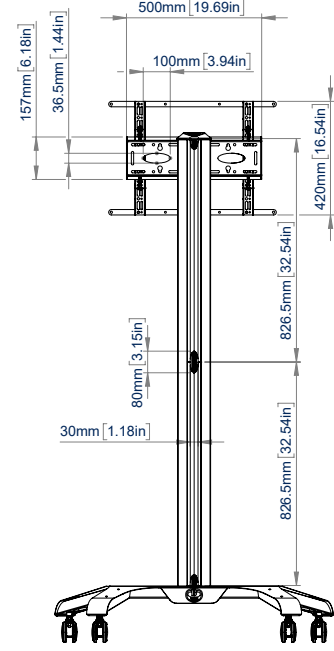
AV accessory shelves can be fitted directly to the columns



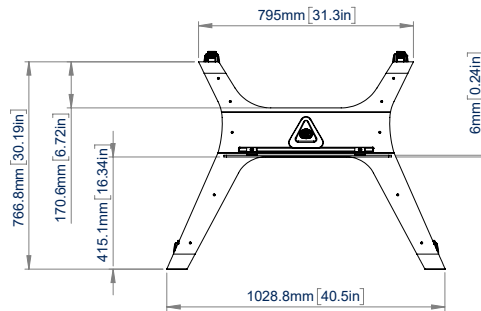
FRONT VIEW



SIDE VIEW



REAR VIEW



TOP VIEW

PACKING INFORMATION

PLEASE NOTE, THIS IS A 2 BOX ITEM

COLOUR:	ORDER REF:	EAN CODE:	MASTER CARTON WEIGHT:	MASTER CARTON CUBE:
Black	BT8562/BB V2	5019318301780	24.5kg / 8.1kg	0.19cbm / 0.07cbm

RELATED PRODUCTS AND ACCESSORIES



AV Accessory Shelves can be fitted directly to the vertical column



Video Conferencing Camera Shelf can be fitted directly to the vertical column



Universal XL Flat Screen Trolley from screens from 65" to 120" and up to 130kg



Flat Screen Trolley with Flip Rotation from screens from 37" to 75" and up to 70kg

© 2019 B-Tech Mounts Professional Design & Manufacturing Ltd. All rights reserved. The information in this specification sheet reflects the current technical specifications at the time of print. We reserve the right to change the technical or physical specifications without prior notice. B-Tech Mounts and B-Tech logos are registered trademarks of B-Tech Professional Design & Manufacturing Ltd. B-Tech is not liable for loss or damage caused by improper installation, use, or modification of the product. Any reproduction or transmission or replication of any part of this specification is strictly prohibited unless prior written permission has been granted by B-Tech Professional Design & Manufacturing Ltd. (B-Tech).

SS-V1-BT8562 V2-260922