



FOR  
 Yealink /  
 Logitech /  
 Poly Studio

# BT7875

## MOUNTING PLATE

FOR LOGITECH MEETUP, POLY  
 STUDIO X30 & YEALINK UVC40 /  
 A20 / MEETINGEYE 400

The BT7875 is a mounting plate designed for mounting a Yealink UVC40, A20, MeetingEye 400, Poly Studio X30 or a Logitech MeetUp all-in-one video conferencing camera to a variety of B-Tech products. Using an adjustable accessory mounting arm, the BT7875 can be positioned above or below a screen mounted on a B-Tech flat screen wall mount or to a BT8390 rail. The mounting plate is also compatible with Ø50mm collars for pole mounting, or alternatively can attach directly to B-Tech columns. The BT7875 platform is also suitable for mounting small VC cameras.

### SPECIFICATION

Max Load	3kg
Dimensions	W: 90mm x D: 60mm x H: 63mm
Steel thickness	3mm
Colour	Black

### FEATURES

- Designed to mount Yealink UVC40, A20, MeetingEye 400, Poly Studio X30 and Logitech MeetUp VC cameras to a range of B-Tech products
- Also suitable for mounting a small VC camera using the central slot on the platform
- Mounts directly to a BT8380 / BT8381 Column
- Compatible with BT7052 / BT7841 Collars for use with Ø50mm Poles
- Use with a BT7031 Accessory Mounting Arm to mount on to a BT8431 / BT8432 / BT8441 / BT8442 / BT9901 / BT9903 Flat Screen Wall Mount
- Use with a BT8390-SA Accessory Mounting Arm to position camera above or below a screen mounted on a BT8390 System X Rail
- Simple installation
- All mounting hardware included



Suitable for Yealink UVC40 / A20 / Meeting Eye 400, Poly Studio X30 & Logitech MeetUp video conferencing cameras



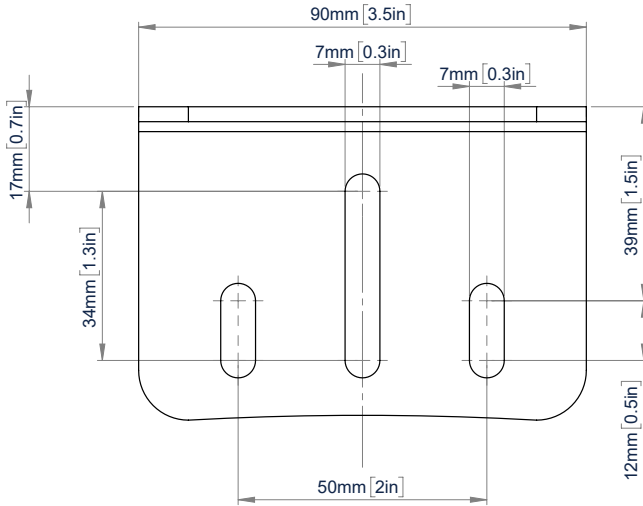
Use with a BT8390-SA to mount speakers onto a BT8390 rail.



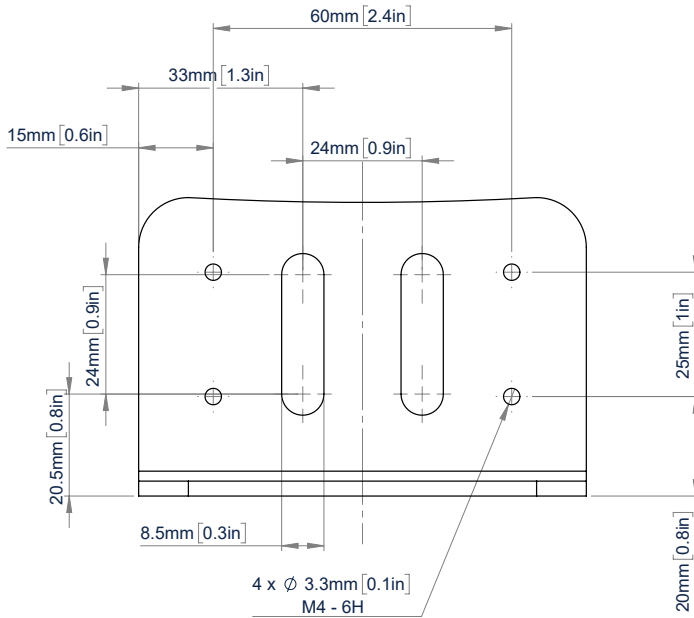
Suitable for mounting speakers above or below the screen.



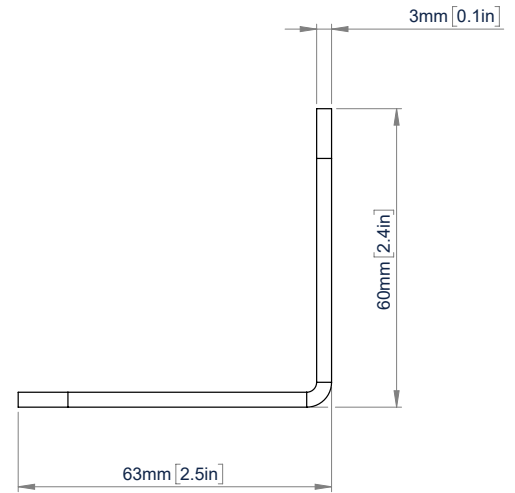
Mounts directly to a B-Tech column or can be pole mounted using a Ø50mm collar



TOP VIEW



FRONT VIEW



SIDE VIEW

PACKING INFORMATION

COLOUR:	ORDER REF:	EAN CODE:
Black	BT7875/B V2	5019318307034

ACCESSORIES AND RELATED PRODUCTS



**BT7031**  
Adjustable Accessory Mounting Arm allows mounted accessories to be positioned above or below the screen(s) on compatible B-Tech flat screen wall mounts



**BT8390-SA**  
Adjustable Accessory Mounting Arm allows mounted accessories to be positioned above or below the screen(s) from BT8390 System X Rails



**BT8380 / BT8381 / BT8385**  
Mounts to any B-Tech Column for a fixed, freestanding or mobile applications



**BT7871**  
Mounting Plate for UC/VC Video Bars allows the user to fit a Jabra Panacast 50, Poly Studio / X50 / X70 to a range of B-Tech products

© 2018 B-Tech Av Mounts. All rights reserved. This information is for informational purposes only and does not constitute an offer of any product. B-Tech Av Mounts is not responsible for any damage or loss of data caused by improper use of its products. Any reproduction or distribution of this information without the prior written permission of B-Tech Av Mounts is strictly prohibited.

SS-V1-BT7875-V2-230123