



IDEAL FOR
 RECESS
 MOUNTING

BT8309

POP-OUT FLAT SCREEN WALL MOUNT

WITH MICRO-ADJUSTMENT

The BT8309 is designed to install small to medium screens into recessed walls. The pop-out mechanism allows for a flush to the wall installation while still allowing access to the rear of the screen for easy installation and service access. Tool-less micro-adjustment is included on each corner to allow screens to perfectly align to the recess and additional screens in a videowall installation. BT8309 also allows screens to be mounted in landscape or portrait orientation and is compatible with B-Tech's professional pole and collar system for pole-mounted installs.

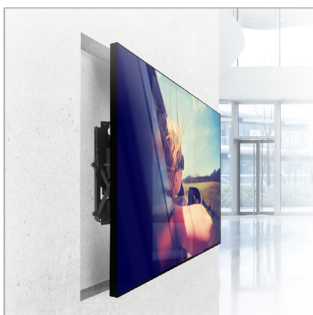
SPECIFICATION

Recommended screen size	up to 42"
Max load	25kg
VESA® compatibility	75 x 75 up to 200 x 200*
Flat to wall depth	73mm (+/-6mm micro-adjustment)
Popped out depth	191mm (+/-6mm micro-adjustment)
Screen height adjustment	+12mm
Colour	Black

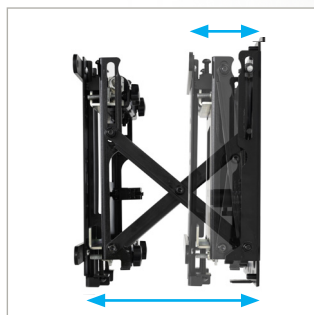
FEATURES

- Perfect solution for mounting screens into a recessed wall
- Can also be used to create videowall installations
- Push to open / push to close system provides quick and easy service access
- Micro-adjustment of +/-6mm at each corner for seamless display alignment
- Suitable for landscape or portrait screen mounting
- Suitable for both wall or pole mounting
- Keyhole mounting for quick and easy installation
- Levelling screws allow adjustment of screen height
- Integrated locking mechanism prevents accidental pop-out of mount
- Integrated cable management
- *Hook-on* installation with all mounting hardware included

*Using the included interface adaptor arms to mount VESA 200 x 200 screens will increase the total depth of the product by 4mm



Perfect solution for mounting screens into a recessed wall.



Push to open / push to close system provides quick and easy service access.

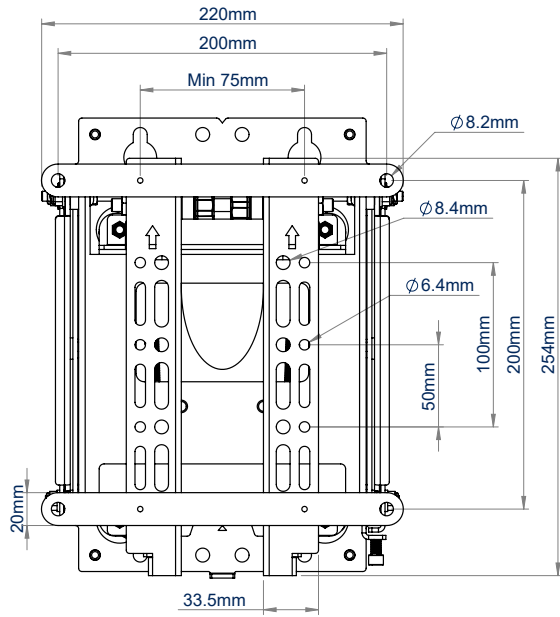


Compatible with B-Tech's professional pole and collar system for pole mounting.

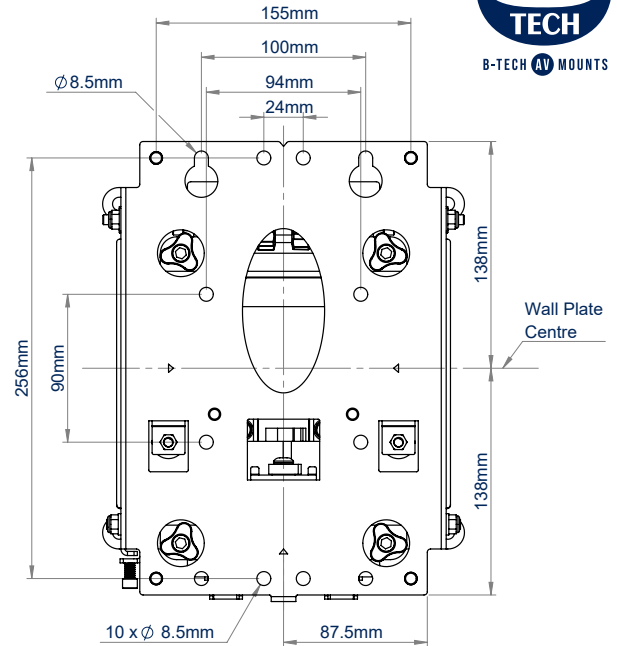


Tool-less micro-adjustment for seamless display alignment.

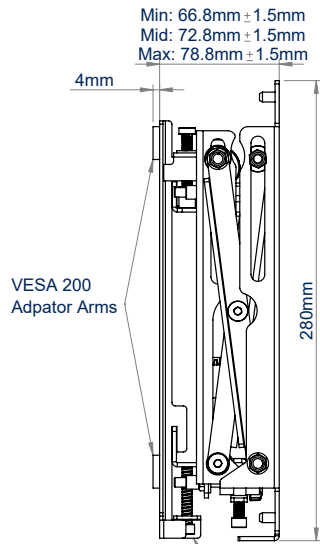




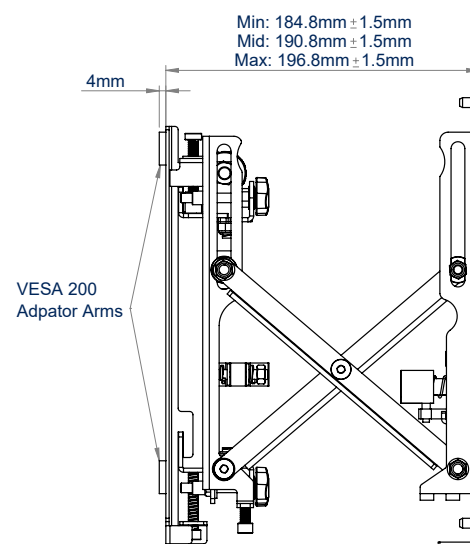
FRONT VIEW



REAR VIEW



SIDE VIEW CLOSED



SIDE VIEW EXTENDED

Interface arms are set at the lowest point.
Height adjustment range: 12mm

PACKING INFORMATION

COLOUR:	ORDER REF:	EAN CODE:	MASTER CARTON QTY:	INNER CARTON QTY:	MASTER CARTON WEIGHT:	MASTER CARTON CUBE:
Black	BT8309/B	5019318440588	4	0	18kg	0.025cbm

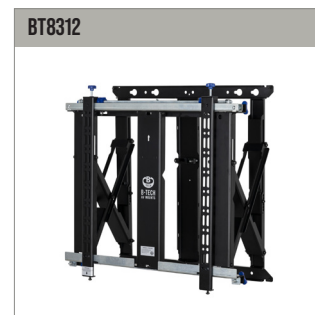
ACCESSORIES AND RELATED PRODUCTS TO BT8309



50mm diameter poles available in different lengths up to 3m.



50mm Accessory Collar for fixing mounts & accessories up to 50mm poles.



Slimline Soft-Open Full Service Videowall Mount for screens with VESA fixings from 200 x 100 up to 600 x 400.



Professional Pop-In, Pop-Out Video Wall Mount for XL video walls or recess mounting larger screens up to 120".

© 2019 B-Tech Professional Design & Manufacturing Limited. All rights reserved. This document is the property of B-Tech Professional Design & Manufacturing Limited. No part of this document may be reproduced, stored in a retrieval system, or transmitted in any form or by any means, electronic, mechanical, photocopying, recording, or by any information storage and retrieval system, without the prior written permission of B-Tech Professional Design & Manufacturing Limited. B-Tech Professional Design & Manufacturing Limited is not responsible for any damage caused by improper or misuse of the products. Any reproduction or transmission of any part of this specification is expressly prohibited unless prior written permission has been granted by B-Tech Professional Design & Manufacturing Limited. B-Tech