

Single Arm Flat Screen Wall Mount with Tilt and Swivel

For more information please visit www.btechavmounts.com/BT7534

BT7534

Registered Design Number: 001713280-0014

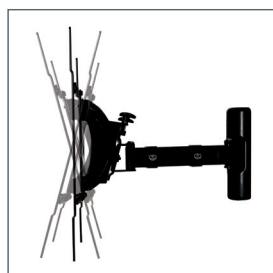


BT7534

Single Arm Flat Screen Wall Mount with Tilt and Swivel

Designed for medium / large screens
up to 50" (127cm) / 40kg (88lbs)

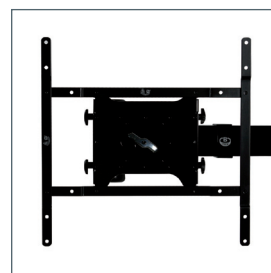
- Fits screens with VESA® mounting patterns up to 400 x 400mm
- Easy tilt adjustment +/-15°
- Features two swivel points: 180° at wall and 240° at interface
- Features 'OWLS'™ On Wall Levelling System
- Alternative short arm included
- **CLIPLOGIC™** cable management included
- Security locking screws & Allen key provided for secure installation
- Simple 'hook-on' installation with all mounting hardware included
- Available in Piano Black and Silver



Easy adjustment of tilt



CLIPLOGIC™ cable management



Space saving design - folds flat to the wall



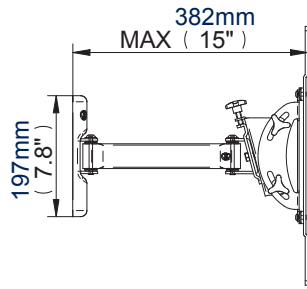
Security locking screws provided

Single Arm Flat Screen Wall Mount with Tilt and Swivel

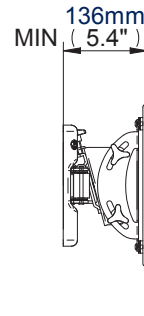
For more information please visit www.btechavmounts.com/BT7534

BT7534

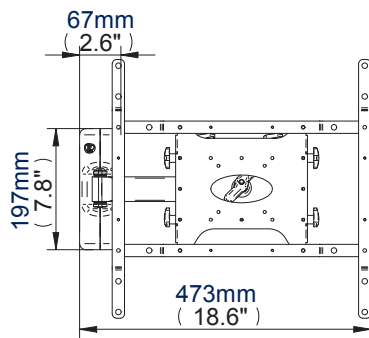
Registered Design Number: 001713280-0014



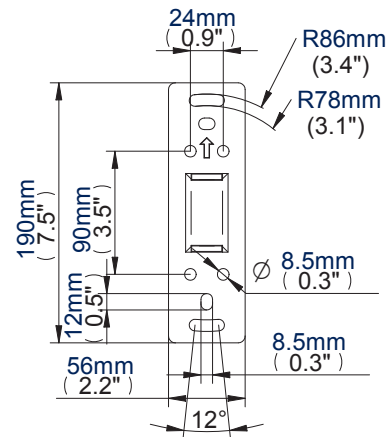
Side View - Maximum Extension



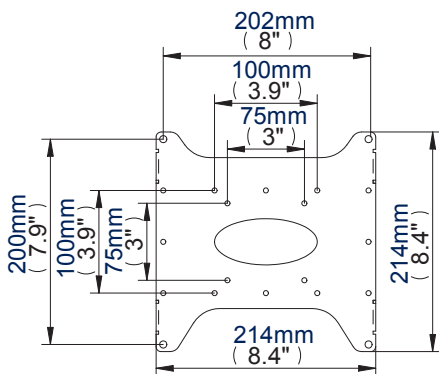
Side View - Flat to Wall



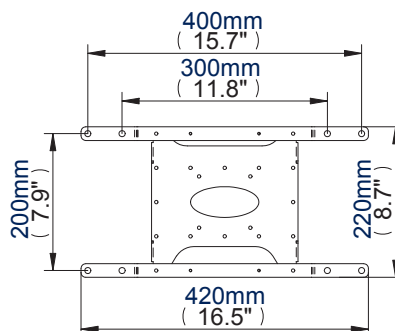
Front View - Flat to Wall



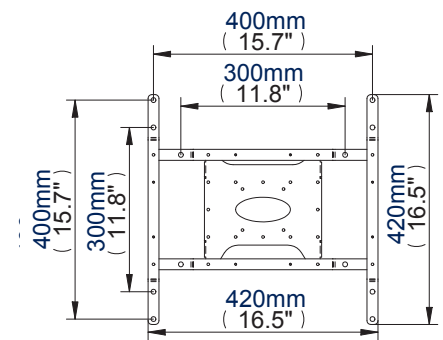
Wall Plate



Interface Plate



400 x 200 Interface



400 x 400 Interface

This information is intended as a guide only and B-Tech accepts no liability for the accuracy of the information contained in this document