



STAND
 HEIGHT
 60CM

BT606

ATLAS™ SPEAKER STANDS

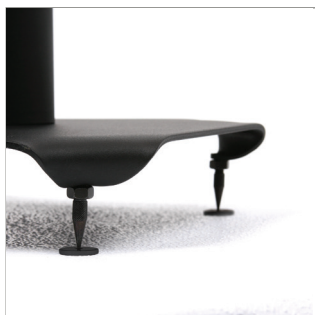
Supplied in pairs these Atlas floor stands are designed for speakers up to 35kg. Mounting the speakers at a height of 60cm, the BT606 is easy to assemble and the columns can be filled with sand for sound dampening. Stable on any flooring, the stands are supplied with sound isolating spikes and floor discs to protect wooden/tiled floors, alternative foam pads are also included.

SPECIFICATION

Max load	35kg
Stand height	60cm
Top plate dimensions	160 x 160mm
Base plate dimensions	240 x 240mm
Colour	Black

FEATURES

- Sound isolating speaker floor stands
- Fillable columns for superior dampening
- Solid construction using heavy gauge steel for enhanced stability
- Top and bottom isolation spikes provided
- Foam pads included as an alternative to isolating support spikes
- Suitable for all types of floors including wood and carpet with supplied protection discs
- Simple assembly and easy speaker mounting
- Supplied in pairs
- Colours available: Black



Bottom isolation spikes supplied with floor protection discs



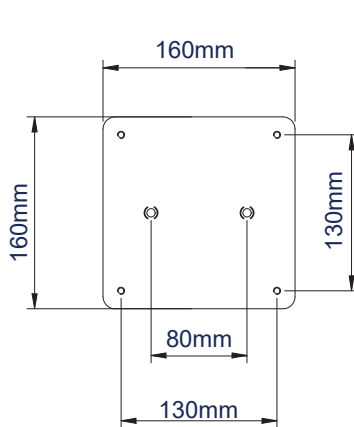
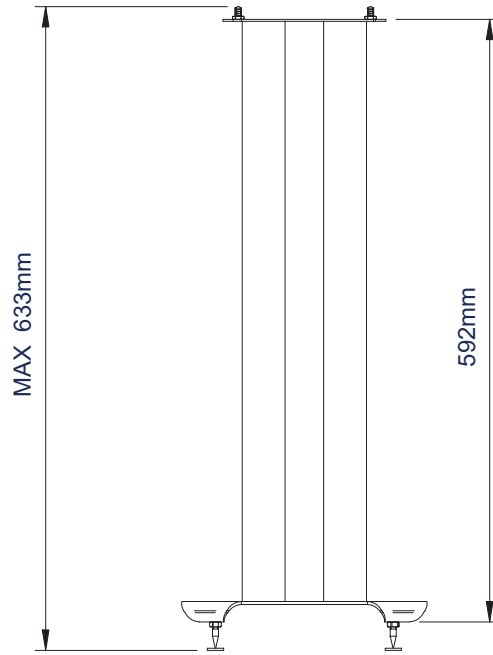
Supplied with isolation spikes and alternative foam pads



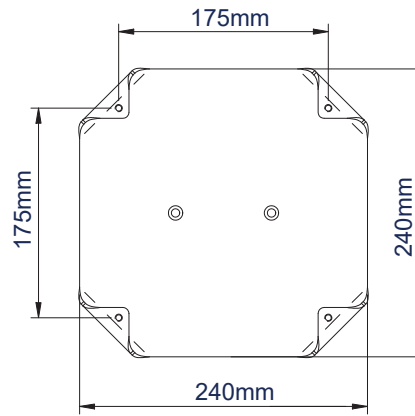
Use dry sand to fill columns for superior dampening



Supplied in retail packaging - ideal for the consumer market



TOP PLATE



BASE PLATE

PACKING INFORMATION

ORIGINAL DESIGNS BY B-TECH AV MOUNTS - REGISTERED DESIGNS & PATENTS APPLY

COLOUR:	ORDER REF:	EAN CODE:	MASTER CARTON QTY:	INNER CARTON QTY:	MASTER CARTON WEIGHT:	MASTER CARTON CUBE:
Black	BT606/B	5019318036064	2	N/A	15.24kg	0.33cbm

RELATED PRODUCTS



Atlas Speaker Stands Height 40cm



Atlas Speaker Stands Height 80cm



Side Clamping Speaker Wall Mounts for speakers up to 25kg



Home Cinema Speaker Floor Stands For speakers up to 2kg

© 2016 B-Tech Consumer Products. All rights reserved. The information in this specification is for reference only. B-Tech reserves the right to change the technical specifications without notice. B-Tech is not liable for loss or damage caused by improper or misuse of its products. Any reproduction or transmission of any part of this specification is strictly prohibited unless prior written permission has been granted by B-Tech Consumer Products Manufacturing Ltd. (B-Tech).

SS-V1-BT606-191118