



# Z3 Pro

## Welcome Guide



[support.arctic.ac/z3pro](https://support.arctic.ac/z3pro)

Dear Customer,

Thank you for choosing the ARCTIC Z3 Pro.

Smart people use three monitors and enjoy their video games even more. This sturdy holder brings your monitors precisely into the position and angles of your preference, keeps your desk clean, frees space for you and allows you to use USB 3.0 devices easier than ever.

I hope you enjoy our Z3 Pro and we at ARCTIC look forward to further enriching your life with our products. If you would like to share how you use ARCTIC's products please do so at <https://www.facebook.com/ARCTIC.en>

ARCTIC is a fully carbon neutral company and your support helps us to compensate every kilogram of CO<sub>2</sub> we produce. Thank You.

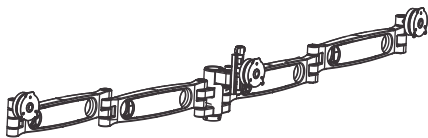
Sincerely,

A handwritten signature in black ink, appearing to read "Magnus Huber".

Magnus Huber  
ARCTIC CEO

## Accessories

Ⓐ Adapter Bracket Assembly  
x 1



Ⓑ VESA Plate  
x 3



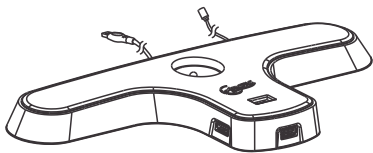
Ⓒ Pole  
x 1



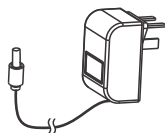
Ⓓ Desk Clamp  
x 1



Ⓔ Base with USB  
Interface x 1



Ⓕ Power Adapter  
x 1



Ⓖ Hex Key (3 mm)  
x 1



Ⓖ Hex Key (4 mm)  
x 1



Ⓖ Metal Base Plate  
x 1



Ⓙ M4 Screw  
(12 mm) x 12



Ⓚ M5 Screw  
(12 mm) x 12



Ⓛ M4 Screw  
(14 mm) x 12



Ⓜ M5 Screw  
(14 mm) x 12



Ⓝ M4 Screw  
(30 mm) x 12



Ⓞ M5 Screw  
(30 mm) x 12



Ⓟ Socket Head  
M4 Screw  
(8 mm) x 6



Ⓠ Flat Head M6  
Screw (10 mm)  
x 3



Ⓡ Small Spacer  
x 12



Ⓢ Big Spacer  
x 12



Ⓣ D5 Washer  
x 12



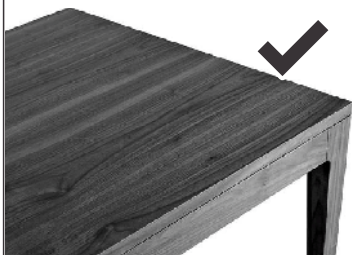
Ⓤ Metal Pad x 1



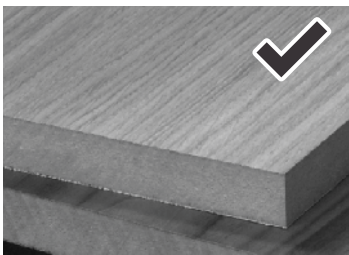
**⚠** This Monitor Arm is not suitable for Honeycomb-structured or Sandwich structured tables with hollow pockets.

Examples of NOT recommended tables, using a paper honey comb filling: IKEA MALM Desk, IKEA TORNLIDEN, IKEA ODDVALD, IKEA LINNMON, IKEA LALLE, IKEA TORNLIDEN, and IKEA ADILS Desk

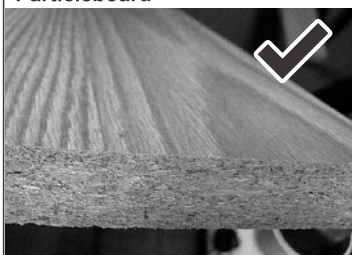
**Wooden**



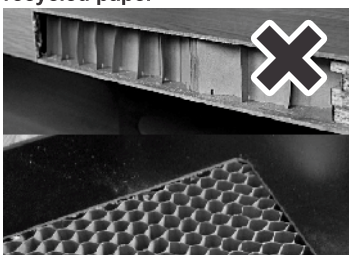
**Fiberboard**



**Particleboard**



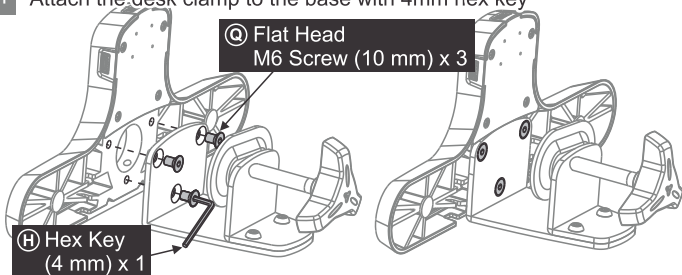
**Honeycomb Structure recycled paper**



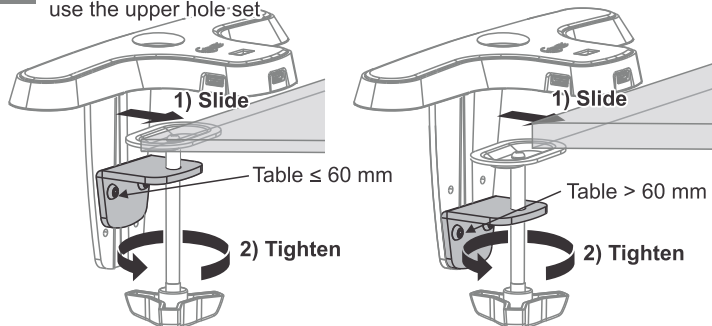
## Preparation

### A. Desk Clamp Installation

**A1** Attach the desk clamp to the base with 4mm hex key



**A2** Tighten it on table. For table less than 60mm thickness, use the upper hole set.



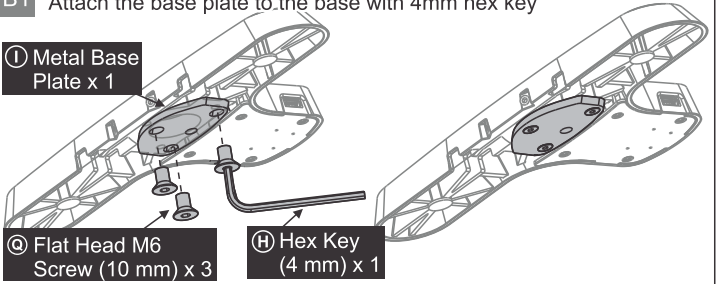
## B. Hole Installation

**B1** Attach the base plate to the base with 4mm hex key

① Metal Base Plate x 1

ⓐ Flat Head M6 Screw (10 mm) x 3

ⓗ Hex Key (4 mm) x 1

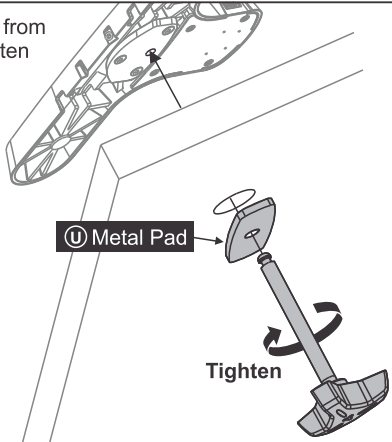


**B2** Remove the long screw from the desk clamp and tighten it on table.

Hole diameter range:  
10-70mm

Ⓤ Metal Pad

Tighten



**3** Install the pole and adjust the collar to the desire height.  
The center of the monitor will be around 12 cm above the collar.

Ⓒ Pole x 1

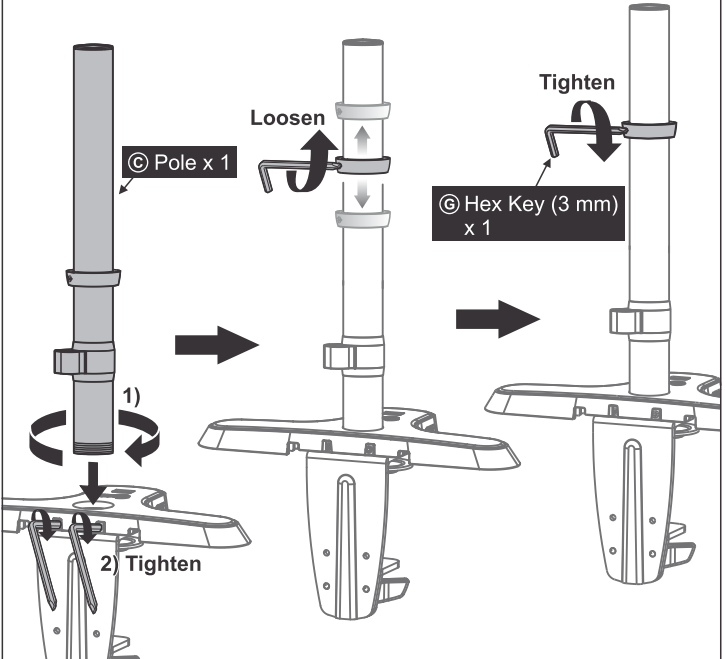
Loosen

Tighten

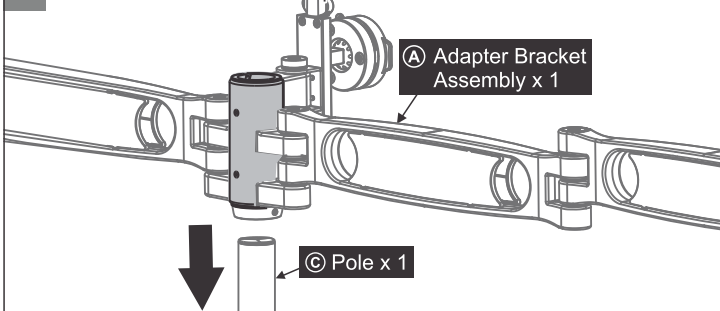
Ⓒ Hex Key (3 mm) x 1

1)

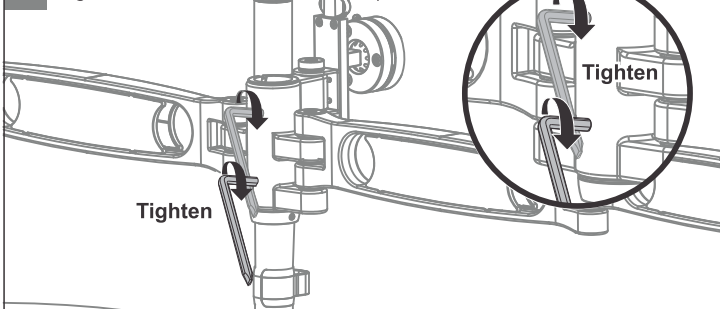
2) Tighten



4 Put the arm into the bottom pole



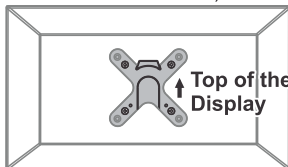
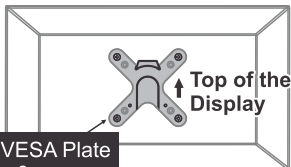
5 Tighten the screw to fix the arm's position



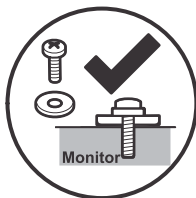
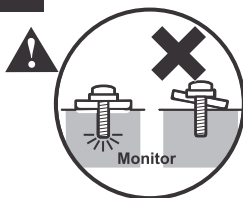
6 Choose the right screw according to the size and depth of the holes at the back of the monitors. Spacers are used to fill the gap between the VESA plate and the monitor if any.

(A) VESA 100 (Distance between each hole = 100 mm)

(B) VESA 75 (Distance between each hole = 75 mm)



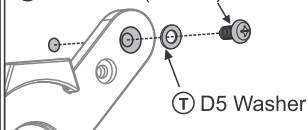
(B) VESA Plate x 3



Direct Mounting

For monitors with flat backside

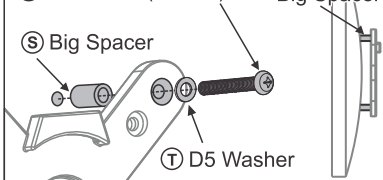
- (J) M4 Screw (12 mm) or
- (K) M5 Screw (12 mm) or
- (L) M4 Screw (14 mm) or
- (M) M5 Screw (14 mm)



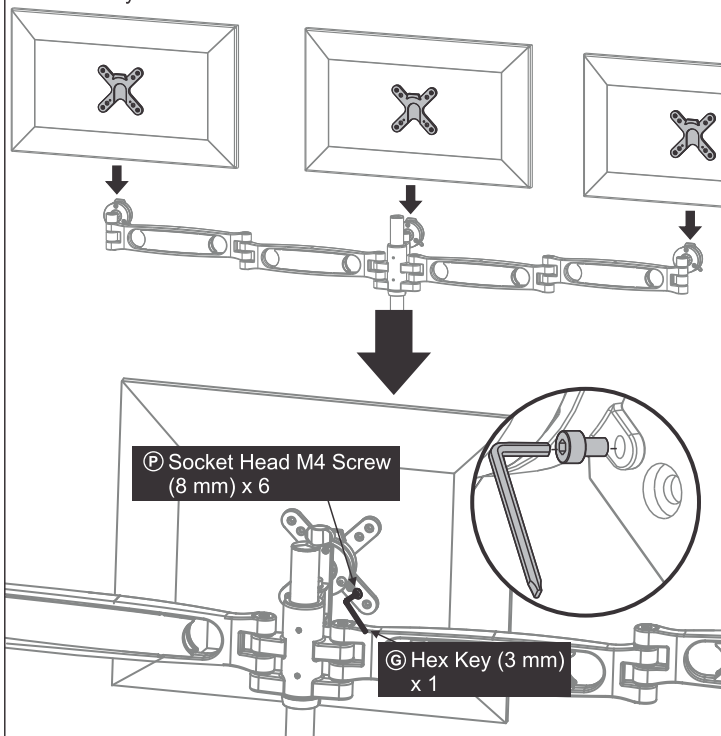
With Spacer

For monitors with non-flat backside

- (N) M4 Screw (30 mm) or
- (O) M5 Screw (30 mm)
- (S) Big Spacer

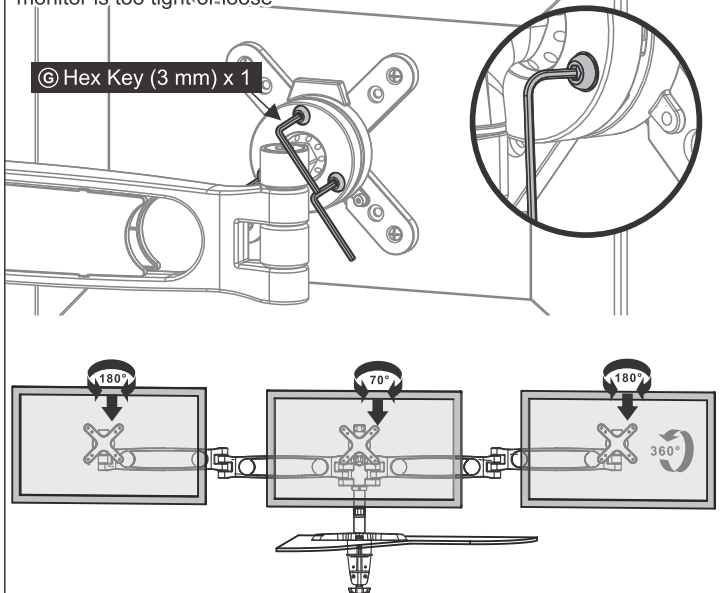


7 Hang the monitor on the arm and fasten the screws with a 3 mm hex key

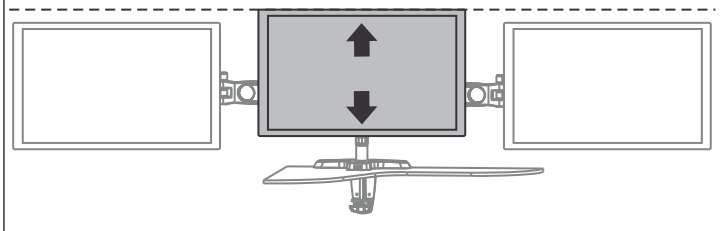
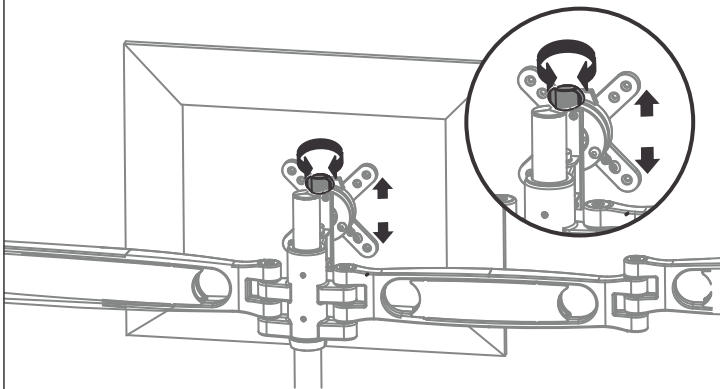


### Adjust the Tightness of the Monitors

Slightly loosen or tighten the screw by a 4 mm hex key when the monitor is too tight or loose

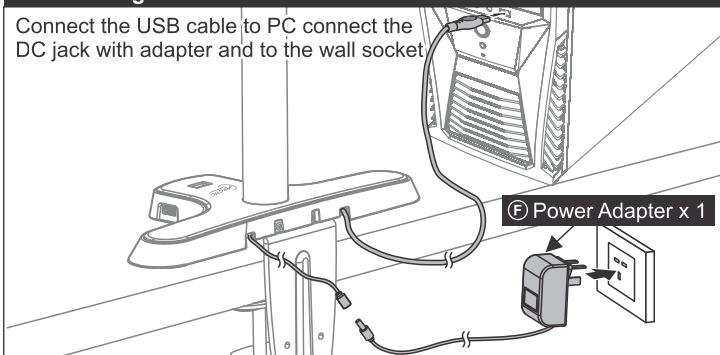


## Leveling the Monitors



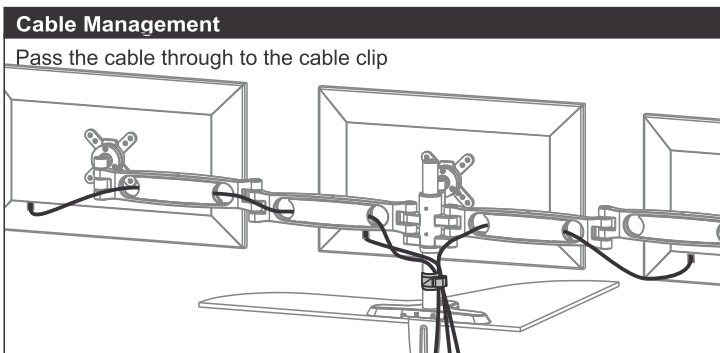
## How to Plug USB Hub

Connect the USB cable to PC connect the DC jack with adapter and to the wall socket



## Cable Management

Pass the cable through to the cable clip



<b>Specifications</b>	
<b>Arm</b>	
Material	Aluminum Alloy ADC 12
Dimensions	180 (L) x 14 (W) x 51(H) cm
Weight	8.3 kg
Screen Size	13"- 30"
Maximum Monitor Weight	10 kg / 22 lbs per mount
VESA Standard	75 / 100
Rotation	360°
Swivel	180°
Tilt	+/-15°
Distance to the Pole	40 - 86 cm
Max Table Thickness	90 mm
Number of Mountable Monitors	3
<b>USB Hub</b>	
Type	4 ports USB 3.0, Powered
Transfer Rate	With USB 3.0: up to 5 Gbps With USB 2.0: up to 480 Mbps
Compatibility	Windows 7 or higher Mac OS X Linux
Cable Length	2 m
<b>Power Adaptor</b>	
Input	100-240V AC, 50/60Hz, 0.55A
Output	5V DC, 2A
Cable Length	2 m



## Warranty

This ARCTIC Product includes a two-year limited warranty. Please visit <http://warranty.arctic.ac> for further details.

## Safety Instructions

We recommend to perform the installation with two people. You are required to verify that your desk can support the additional weight and has adequate structure.



### EC Declaration of Conformity

ARCTIC declares under its sole responsibility that this product is compliant with the provisions of the Low Voltage directive (2006/95/EC), the electromagnetic compatibility directive (2004/108/EC) and the Restriction of the use of certain hazardous substances directive (2011/65/EU). A detailed Declaration of Conformity is available at <http://z3pro.arctic.ac#support>



### Directive 2002/96/EC about Waste of Electrical and Electronic Equipment (WEEE)

Waste of Electrical and Electronic Equipment must not be disposed of with domestic waste. If the device cannot be used anymore, the user is legally obliged to separate it from domestic waste and hand it over to a designated collection point of his community/district. Thereby it is guaranteed that the Waste of Electrical and Electronic Equipment is recycled properly and negative impacts for the environment are avoided. Therefore, electronic devices are marked by this sign.

ARCTIC and the ARCTIC logo are registered trademarks of Boost Up International Limited.

© 2015 ARCTIC (HK) Ltd. All rights reserved.

No part of this manual including the products described in it, may be reproduced, transmitted, stored in a retrieval system, or translated into any language in any form or by any means, except documentation kept by the purchaser for backup purpose, without the express written permission of ARCTIC (HK) Ltd. In no event shall ARCTIC, its directors or employees be liable for any indirect damages, incidental or consequential damages arising from any defect or error in this manual or product.