

Order Code: 100014081

PD02MHA

Mobile, Motorised, height-adjustable Mount

Mobile, Motorised, Height-Adjustable Mount for NEC Large Format Displays

The very stable design is perfect for large heavy displays and touch-sensitive displays. The motorised height adjustment ensures the user to present or interact with the display in an ergonomic position, whether very tall, short, standing up or sitting down. Thanks to the wheels, it is easy to move the unit between different rooms. The design includes a storage box for e.g. mini PC, codec or laptop, easily accessed from the front.



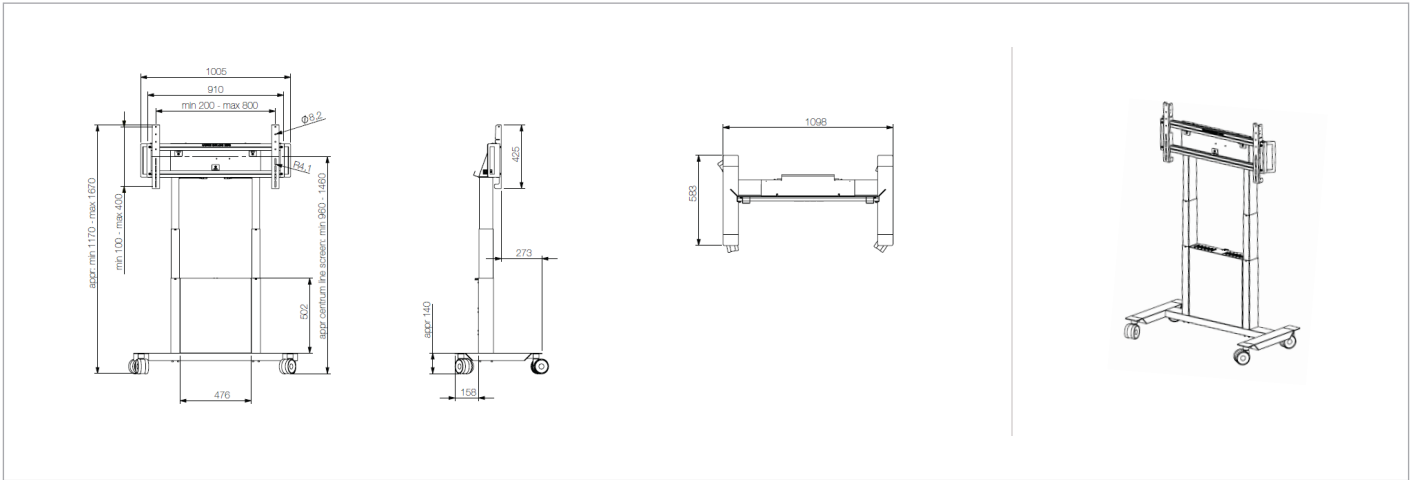
PD02MHA front view

Delivering Genuine Benefits

- Motorised height-adjustment
- Especially designed for usage with touch displays
- Professional cable management inside main body
- Storage space for equipment
- Easy to move (large handles as standard)
- Lockable 100mm casters enable safe and easy maneuverability over various flooring surfaces
- Highly preassembled to make installation quick and easy



Technical Drawings



Technical Specifications

Order Code	
PD02MHA	100014081
Max. load capacity (kg)	120
Recommended display size	46" to 84"
Orientation	Landscape
Height adjustment (mm)	500
Storage box dimensions (mm):	496 x 472 x 96
VESA pattern (mm)	200x100 to 800x400
Product weight (kg)	51
Shipping weight (kg)	52
Package dimension (mm)	1120 x 790 x 205
Shipping Content	Main body of trolley incl. electric motor, Foot incl. 100mm casters, Handles, Remote control with cable, VESA mounting rails
Finish	Black
Supported NEC Large Format Displays	All Large Format Displays from 46" to 84"
Warranty	2 years
For additional pictures and Solutions overview, Visit www.nec-display-solutions.com for details.	

NEC Display Solutions Europe GmbH
 Landshuter Allee 12-14, D-80637 München
 infomail@nec-displays.com
 Phone: +49 (0) 89 99 699-0
 Fax: +49 (0) 89 99 699-500
www.nec-display-solutions.com