

## SN-UL-AK20L OUTDOOR EXTERNAL ANTENNA

Monopole Antenna for DuraFon Series

### SN-UL-AK20L



#### OVERVIEW

- Frequency Band : **902 ~ 928 MHz**
- Monopole for outdoor application

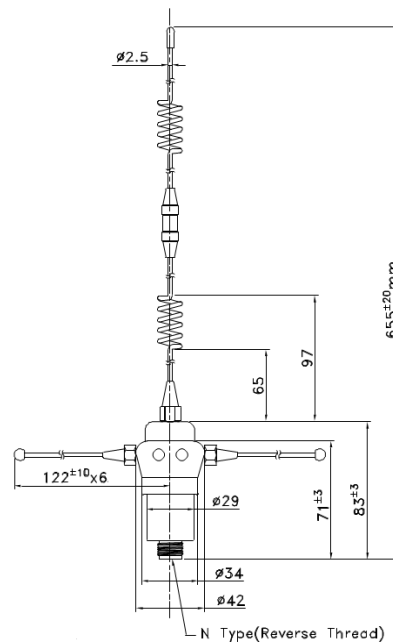
#### Specification

##### Electrical

Frequency	902 ~ 928MHz
Peak Gain	6.0 dBi@ 900~930 MHz
VSWR	≤2.0
Polarization	Linear, Vertical
Impedance	50 Ohm
Connector	Reversed N Jack

##### Environmental & Mechanical Characteristics

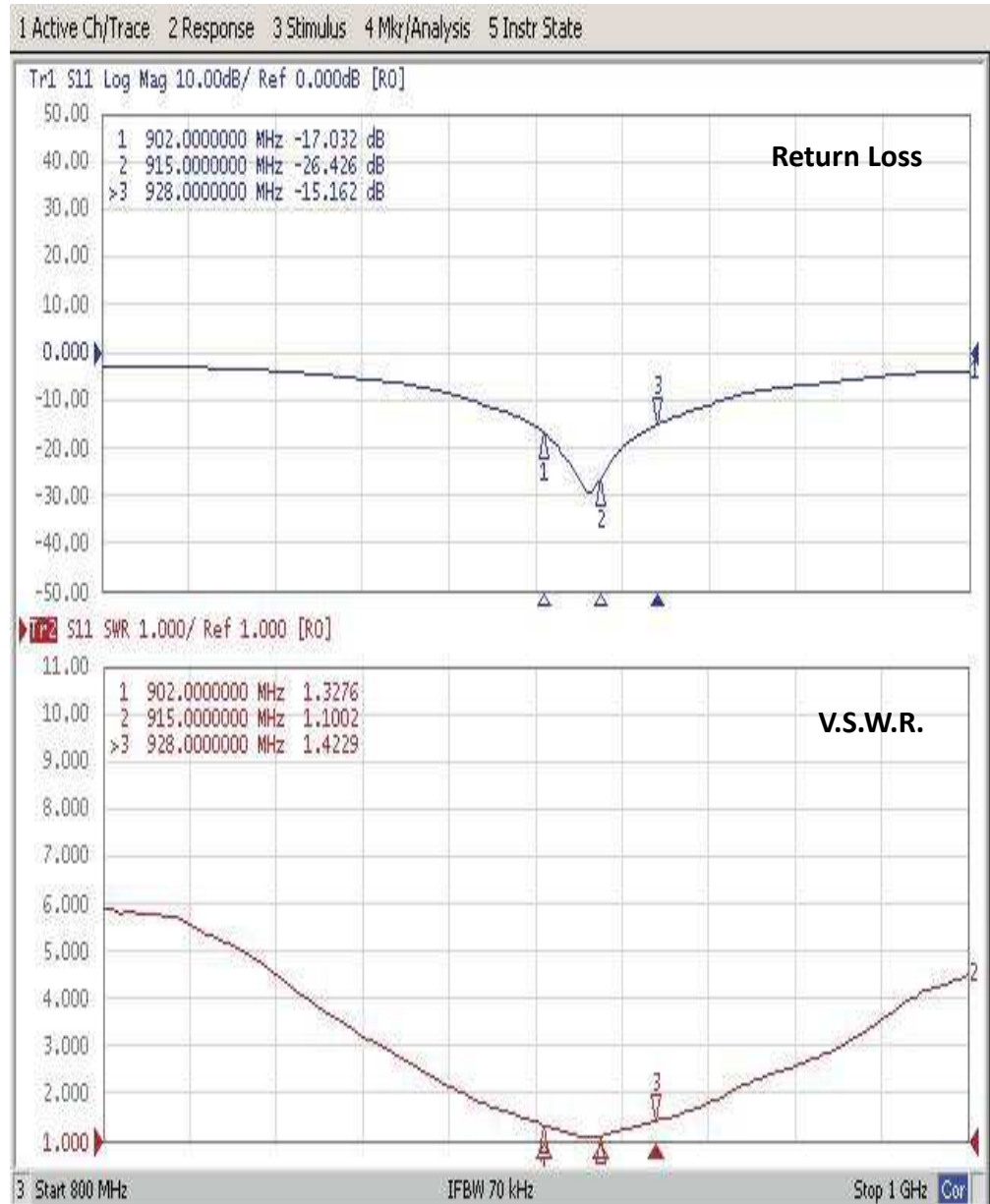
Temperature	-20°C ~ 65°C
Color	Body : White chrome Plated Contact : Gold Plated
Material	Body : Brass Contact : Beryllium Copper Insulator : Teflon or Delrin
Weight	373.5g
Dimensions	



## SN-UL-AK20L OUTDOOR EXTERNAL ANTENNA

Monopole Antenna for DuraFon Series

### Test Report – Return Loss & V.S.W.R.



## SN-UL-AK20L OUTDOOR EXTERNAL ANTENNA

Monopole Antenna for DuraFon Series

### Application

