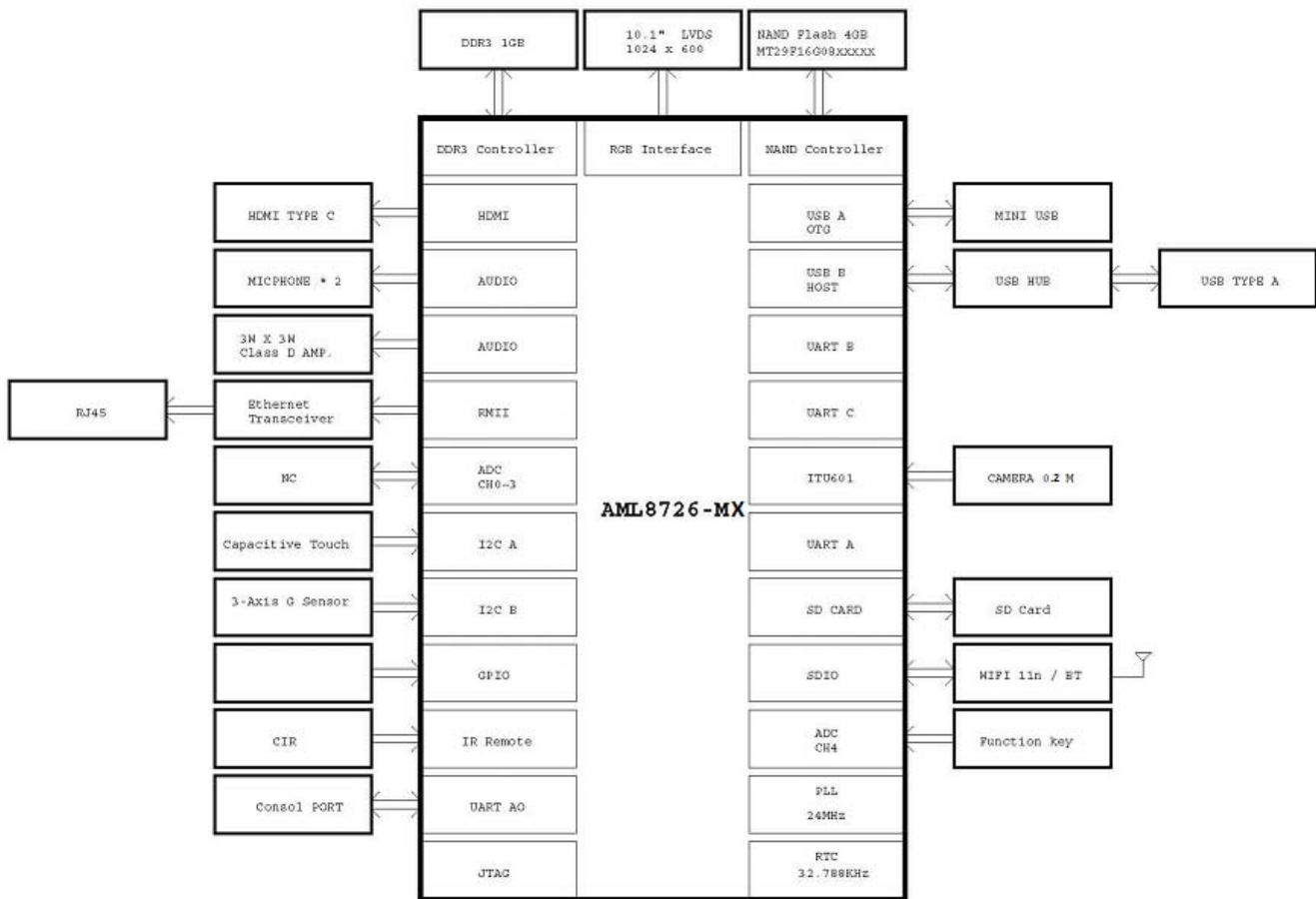


ProDVX Europe BV

10" Android Panel PC

Model: ProDVX APPC-10DS

Block Diagram



Basic Specification

Display	TFT LCD	10.1" (16:9 diagonal) inch configuration
	Number of Pixel	1024 RGB (H) x 600(V)
	Back-light	LED Side-light type
Media format	Video	MKV, TS, FLV, AVI, VOB, MPG, DAT, ASF, RM, MOV, 3GP, MP4, WMV
	Audio	MP2, WMA, WAV, AAC, OGG, ASF
	Picture	JPG, BMP, GIF
I/O	SD card slot	SD card (SDHC Class10 compatible)
	USB	USB 2.0 host type A x1
	Micro USB	Micro USB 2.0 x 1
	Mini HDMI	Mini HDMI out, Type C x1
	Module slot	USB 2.0 x 1
Speaker	High quality speaker	3W x 2
Power	AC/DC adapter	12V/1.5A AC/DC adapter

Wireless Communication	Wi-Fi	802.11 b/g/n (optional)
Ethernet	RJ45	10/100Mbps LAN
Camera	Front	Front: 2M pixels (optional)
Function keys	Key button	+、-、Up、Down、Menu/Enter

Detail Specification

Hardware

CPU

- Cortex-A9, Dual Core, 1GHz

System Memory

- 1GB DDR3 SDRAM

Internal Storage Memory

- 4GB NAND Flash

External Storage Memory

- SD Card (SDHC Class10 compatible)

LCD

- 10.1" 1024X600 digital TFT LCD、

Touch Panel Type

- 4 point capacitive multi-touch type

Amplifier, Speaker

- Speaker unit: 3W+3W
- Amplifier 3W+3W
- Save the set-up volume and keep the value at the time of power off and on.

Clock Battery (for RTC)

- Lithium-ion non-rechargeable coin battery

LED

- [power supply ON] , [timer standby], and [power supply OFF] modes are supported.
- Power supply ON: Green
- Timer standby: Orange
- Power supply OFF: LED light off

Wireless Communication Specification

- Wi-Fi: IEEE 802.11b/g/n (optional)

Ethernet Communication Specification

- 10/100Mbps LAN RJ45 built-in

External Interface

- SD card slot
- Key button (+, -, Up, Down, Menu/Enter)
- USB interface:
 - USB host type A port (USB 2.0 high speed 480Mbps) x 1
 - Micro USB port (USB 2.0 high speed 480Mbps) x 1
 - Module slot (USB 2.0 interface high speed 480Mbps) x 1
- Mini HDMI interface: Micro HDMI out, Type C x 1
- Ethernet RJ45 10/100Mbps connector
- Power switch
- AC adapter port
- Metal-fittings mounting screw holes: four places

Case Outlook

- Front



1. Camera (optional)

- Top



2. LED

3. SD card slot + cover
4. Menu/Enter button
5. Function keys (up/down)
6. Function keys (Vol+ / Vol-)

- Back



7. Speakers
8. VESA mounting holes
9. DC in

- Bottom



9. DC in
10. Ethernet RJ45 port
11. USB type A
12. Micro USB
13. Mini HDMI out
14. Power switch

Case Dimensions

- The case dimension: (estimation)
Width: 274.5mm
Height: 160.5mm
Depth: 23.5mm

Weight

- 845g (main body only, excluding AC adapter and metal bracket)

Housing Design

- Body and cover are in black color.

Housing Material

- Body: ABS+PC

Power

- CE, FCC certified
- Power consumption: 1KHz audio playback etc. about 18W max., OFF 0W
- Input power spec.: AC 100-240Vac, 1.5A max. 50-60Hz, DC 12V±5%

Environmental Correspondence

- ROHS

Shipment Form

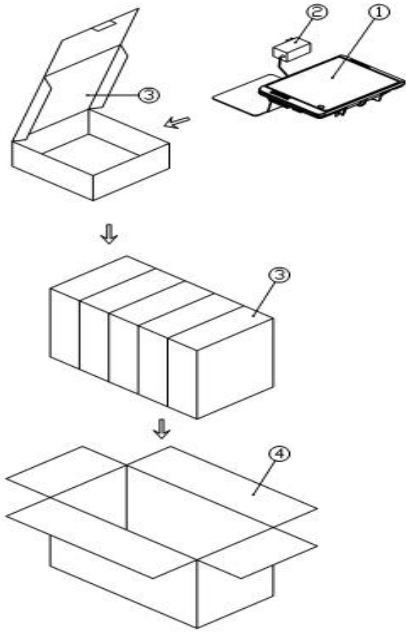
- Appended goods



- AC adapter, mounting bracket (screwed on body, optional),

Packaging Specification

- 1PCS packaging box dimension: (L)392mmx(W)262mmx(H)107mm
- 5PCS carton dimension: (L)564mmx(W)410mmx(H)290mm



- 1. Main body
- 2. AC adapter
- 3. 1PCS packaging box
- 4. 5PCS packaging carton

Software

OS

- Android 4.1.x, Jelly Bean

Flash Support

- Adobe Flash 10.2 supported

Pre-installed Applications

10N Current Pre-install App List (App with Red * can't be deleted.)	
App name	Description
*AppInstaller.apk	Applications install tool
*ApplicationProvider.apk	Applications to support services
*BackupRestoreConfirmation.apk	Backup and Restore confirmation
Browser.apk	Android default Browser
Calculator.apk	Calculator
Calendar.apk	Calendar
CalendarProvider.apk	Calendar program support service
Camera.apk	Android Camera
*CertInstaller.apk	Certificate Services
Contacts.apk	Contacts
*ContactsProvider.apk	Contacts data Storage Service
*DefaultContainerService.apk	The default directory services
DeskClock.apk	Take alarm clock
*DownloadProvider.apk	download management
*DownloadProviderUi.apk	download management UI
*DrmProvider.apk	The protected of Drm data storage service
Email.apk	Android default E-mail
Exchange.apk	E-mail service
FileBrowser.apk	File Browser
Gallery2.apk	View Pictures
*HoloSpiralWallpaper.apk	Live Wallpaper
HTMLViewer.apk	HTML explorer
*KeyChain.apk	Key authentication
*LatinIME.apk	Latin IME
*Launcher2.apk	Native desktop
LiveWallpapers.apk	Live Wallpapers
*LiveWallpapersPicker.apk	Live Wallpaper

MagicSmokeWallpapers.apk	The application of the wallpaper
*MediaProvider.apk	Media data storage service
*Music.apk	Music
*MusicFX.apk	Music & Audio app
NoiseField.apk	Live Wallpapers of Bubbles
*PackageInstaller.apk	Program Installation
PhaseBeam.apk	Live Wallpaper app
*Phone.apk	Phone
PicoTts.apk	Text speech convert engine
*Protips.apk	Desktop plugin little green men
*Provision.apk	Boot loader program
QuickSearchBox.apk	Quick Search Box
*Settings.apk	Settings
*SettingsProvider.apk	Set service program
*SharedStorageBackup.apk	Share data backup service
SoundRecorder.apk	sound recorder
Superuser.apk	Authorized Program
*SystemUI.apk	Android Status bar
*TelephonyProvider.apk	Dial-up records storage service
*UserDictionaryProvider.apk	The user data dictionary service
*VideoPlayer.apk	Amlogic Video Player
VisualizationWallpapers.apk	Visualization Wall papers
VpnDialogs.apk	VPN LAN service

Playback Format Support

Media	Video	MKV, TS, FLV, AVI, VOB, MPG, DAT, ASF, RM, MOV, 3GP, MP4, WMV
	Audio	MP2, WMA, WAV, AAC, OGG, ASF
Image		JPG, BMP, GIF