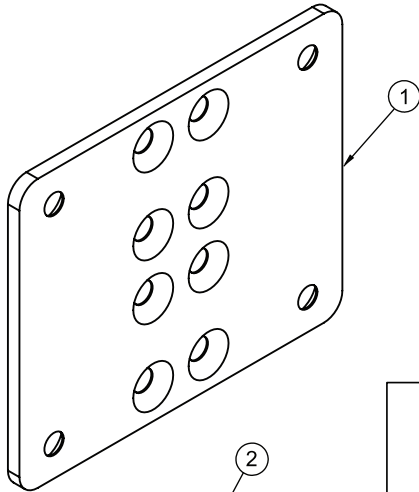


COLLAR FIXING KIT

FOR MOUNTING THE BT8390 HORIZONTAL MOUNTING BAR PARTS LIST

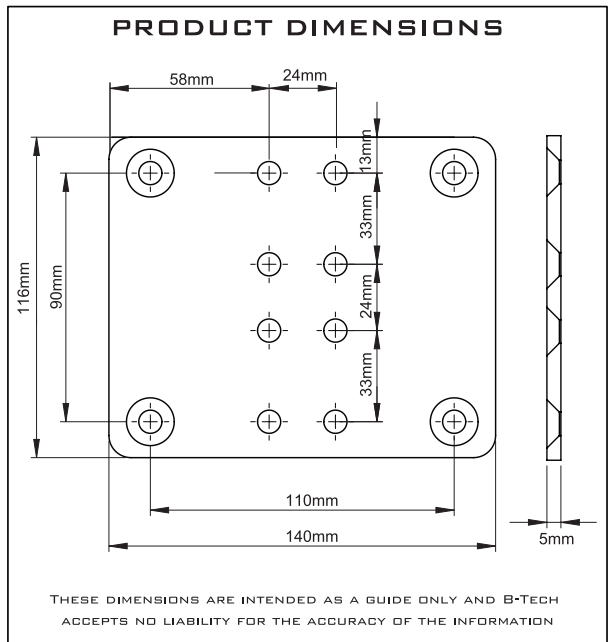
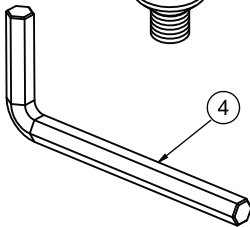
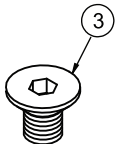
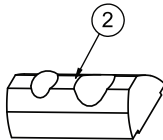
This pack contains 1 Mounting Bracket

PLEASE KEEP THIS FOR FUTURE REFERENCE



PARTS LIST

REF	PART NAME	QTY
1	COLLAR FITTING PLATE	1
2	M8 SLIDING NUT	4
3	M8 x 12mm CSK SCREW	8
4	5AF HEX KEY	1



Designed to work in conjunction with
B-Tech's System X and System 2 ranges

B-TECH AUDIO VIDEO MOUNTS

HEAD OFFICE

B-Tech International Limited

Bennett House, Long March, Daventry, Northants., NN11 4NR, UK

Email: info@btechavmounts.com

©2015 B-Tech International Limited. All rights reserved. B-Tech Audio Video Mounts is a division of B-Tech International Limited, B-Tech, Better By Design and System X are registered trademarks of B-Tech International Limited. All other brands and product names are trademarks of their respective owners. Photographs are for illustrative purposes only, E&OE, B-Tech International Ltd, it's distributors and dealers are not responsible for damage or injury caused by improper installation, improper use, modifications, installations over the specified weight capacity and/or failure to observe these safety instructions. In such cases, any warranty will expire. It is recommended that this product should only be installed by a qualified professional / installer. B-Tech does not claim any liability for any difficulties that may arise from the interpretation of information contained in these instructions. Failure to mount this product correctly may lead to a serious injury and/or death. Please check carefully to make sure there are no missing or defective parts - defective parts must never be used. In the event of missing and/or defective parts, or technical questions, please contact an authorised dealer.

www.btechavmounts.com

AMA-BT8390-CFK-V1.1-PROBX-1215-45 Made in Vietnam

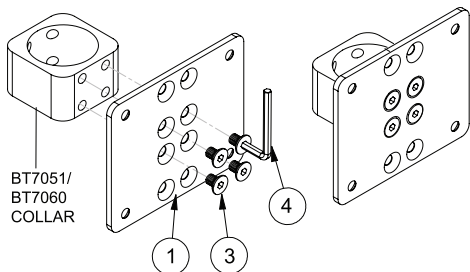
BT8390-CFK

INSTALLATION INSTRUCTIONS

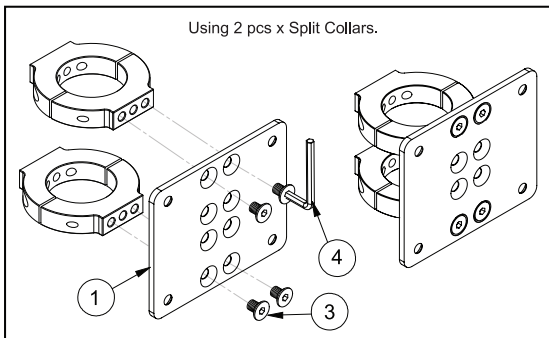
1

Attach the Collar(s) onto the Collar Fixing Plate

Using 1 pc x Heavy Duty Collar.



Using 2 pcs x Split Collars.



2

Attach the Collar to a Mounting Rail

Insert the M8 Sliding Nuts (part 2) into a B-Tech BT8390 Horizontal Mounting Rail and attach the Collar Fixing Plate (part 1) using the M8 x 12mm CSK Screws (part 3).

