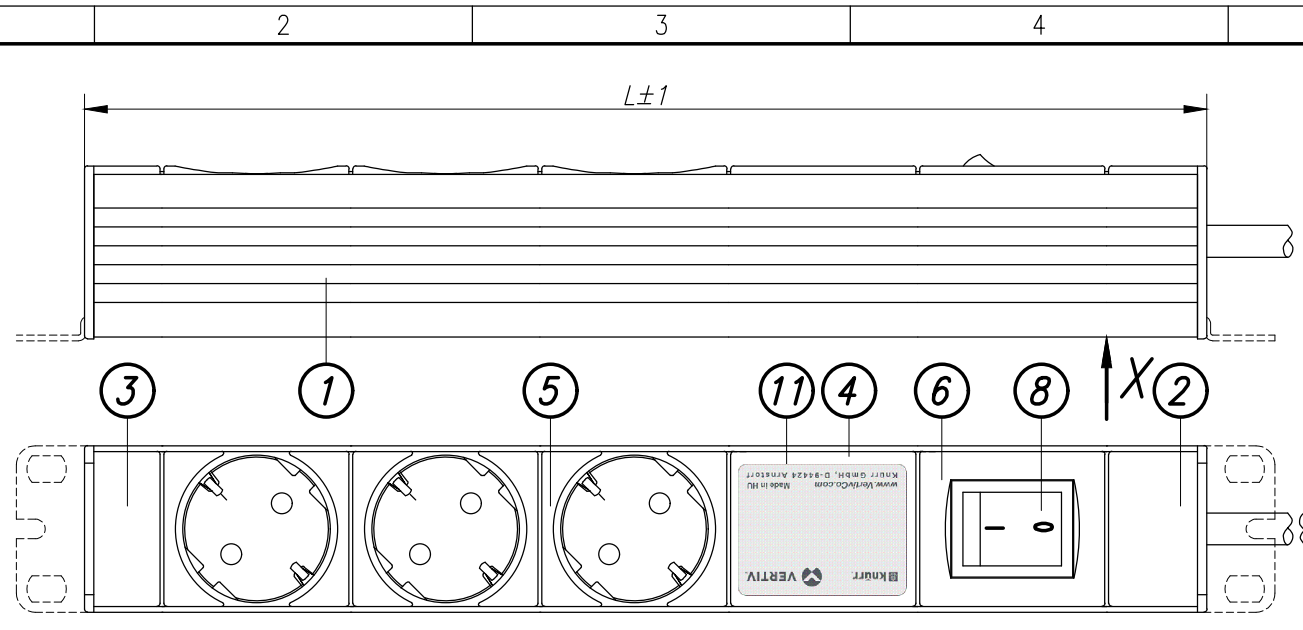
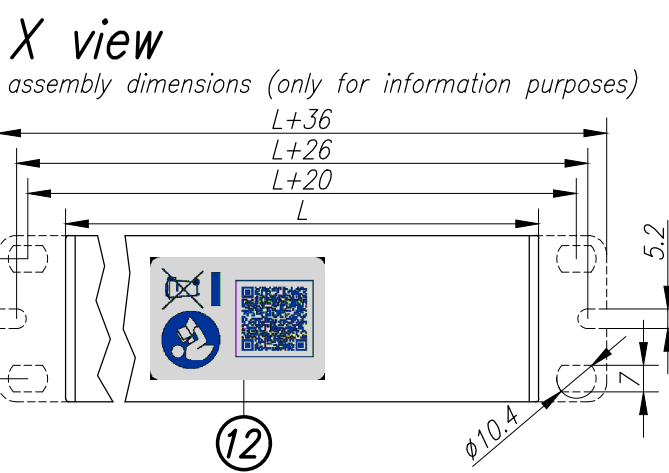
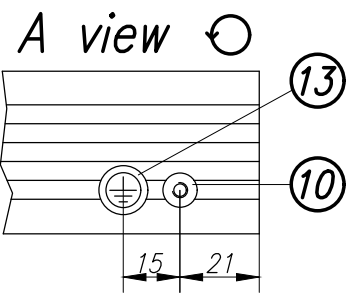
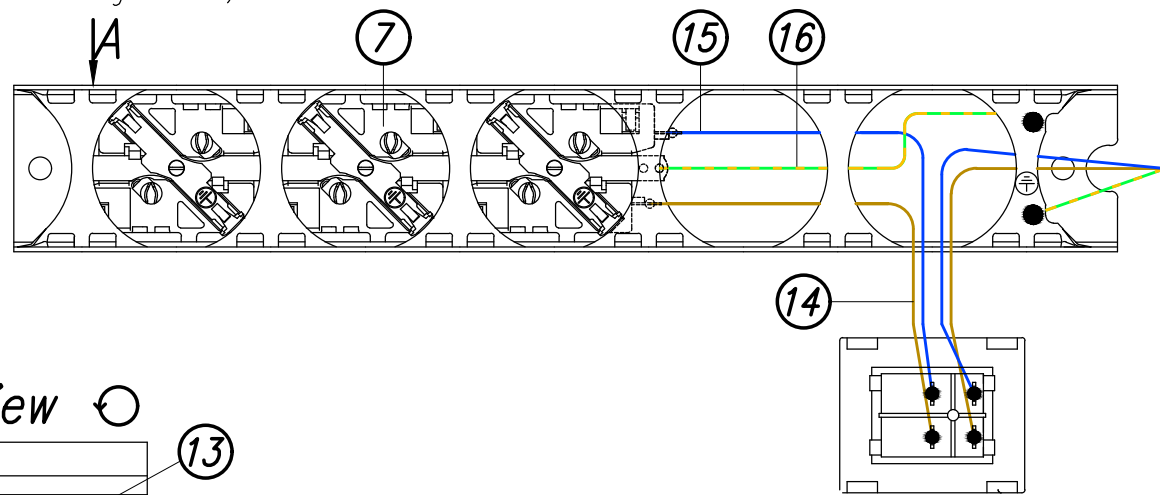


Disclosure and photocopying of this document, exploitation and communication of its contents are not permitted, unless permission is expressly granted. All rights are reserved.

Weitergabe sowie Vervielfältigung dieser Unterlage, Verwertung und Mitteilung ihres Inhalts nicht gestattet, soweit nicht ausdrücklich zugestanden. Alle Rechte vorbehalten.



Internal wiring scheme, inlets and outlets shown frontside down

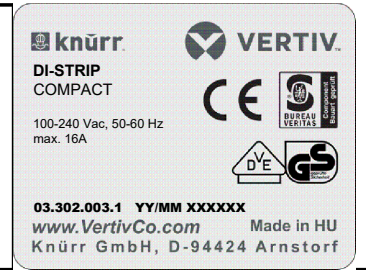


N_{blue}
L_{brown}
PE_{green-y.}

Type selection

| Drawing no. Description | L (mm) | Color of chassis | No. of sockets | Gross weight (kg) | Net weight (kg) | External dimensions of packing box (mm) |
|---|-----------|---------------------------|-------------------|-------------------------|-----------------------|---|
| 03.302.014.1 DIS-EEV CEE7/7-16A 14P SW | 847 | RAL7035 light grey | 14 | 1,68 | 1,47 | 985x60x75 |
| 03.302.010.6 DIS-EEV CEE7/7-16A 10P SW | 647 | RAL2003 pastel orange | 10 | 1,37 | 1,18 | 680x60x75 |
| 03.302.010.1 DIS-EEV CEE7/7-16A 10P SW | 647 | RAL7035 light grey | 10 | 1,37 | 1,18 | 680x60x75 |
| 03.302.006.6 DIS-EEC CEE7/7-16A 6P SW | 447 | RAL2003 pastel orange | 6 | 1,06 | 0,90 | 480x60x80 |
| 03.302.006.4 DIS-EEC CEE7/7-16A 6P SW | 447 | RAL5018 turquoise blue | 6 | 1,06 | 0,90 | 480x60x80 |
| 03.302.006.1 DIS-EEC CEE7/7-16A 6P SW | 447 | RAL7035 light grey | 6 | 1,06 | 0,90 | 480x60x80 |
| 03.302.003.6 DIS-EEV CEE7/7-16A 3P SW | 297 | RAL2003 pastel orange | 3 | 0,84 | 0,69 | 480x60x80 |
| 03.302.003.1 DIS-EEV CEE7/7-16A 3P SW | 297 | RAL7035 light grey | 3 | 0,84 | 0,69 | 480x60x80 |

Example of label:



Technical data:
 - DIN 49440 SCHUKO socket 16A
 socket spacing 50mm, torsion of sockets 45°
 - with lit switch, 2-pole switching
 - Operating temperature: 0 ... +50 °C

| No. | QTY | ST | Description | Material | Gross weight (kg) | Net weight (kg) | External dimensions of packing box (mm) |
|-----|-----|----|---------------------------------------|----------------------------|-------------------|-----------------|---|
| 14 | 1 | ST | Vezeték barna 1,5mm ² | Electric cord brown | 3.768.4221 | | L=100(EO-EO) |
| 15 | 1 | ST | Vezeték kék 1,5mm ² | Electric cord blue | 3.768.2767 | | L=100(EO-EO) |
| 16 | 1 | ST | Vezeték zöld-sárga 1,5mm ² | Electric cord green-yellow | 3.768.2670 | | L=160(EO-EO) |

A belső vezetékvezés komponensei. / Components of internal wiring.

| Load rating: 100-240 Vac, 50-60 Hz Input: 1x 16 A Output: 16 A | Approvals/certificates: - CE marking according to: LVD (low voltage directive), RoHS (restriction of hazardous substances) - BV-BG certification (factory inspected) - VDE-GS certification (factory inspected) | Power cord: Type: H05VV-F 3x1,5mm ² , white Length: 2,5m Plug: CEE VII/7, DIN49441 Form2 | <p>Dimensions in mm</p> | General tolerances ISO 2768-m | Finish Kovács Szabó | Material Description DIS-EEV CEE7/7-16A SW | Sheet 1/1 | | | | | | | | | | | | | | | | |
|---|--|---|-------------------------|---|----------------------------------|--|--------------|---|-------|----------|------|---|-------|------|------|---------|------------|--------|----------|------------|-------|---|--|
| Material/Finish: Chassis: closed sheet steel extrusion, zincplated, powder-coated texture Plastic parts: Vampamid 6 0024 VO (UL94) or similar, recyclable Internal conduction: brass conductor rails and copper wires Internal copper wires: H07V-K 1,5mm ² Color: Chassis: Plastic parts: RAL7035 light grey | Packaging: Packing box (csomagolódoboz) Supply schedule: Socket strip (1 piece) Mounting bracket (2 pieces) 3.768.2608 User manual (1 piece) 03.300.999.1 | <table border="1"> <thead> <tr> <th>Rev.</th> <th>Change</th> <th>Date</th> <th>Name</th> </tr> </thead> <tbody> <tr> <td>B</td> <td>18027</td> <td>12.07.17</td> <td>Gali</td> </tr> </tbody> </table> | | Rev. | Change | Date | Name | B | 18027 | 12.07.17 | Gali | <table border="1"> <thead> <tr> <th>Drawn</th> <th>Date</th> <th>Name</th> </tr> </thead> <tbody> <tr> <td>Checked</td> <td>26.11.2007</td> <td>Kovács</td> </tr> <tr> <td>Approved</td> <td>26.11.2007</td> <td>Szabó</td> </tr> </tbody> </table> | Drawn | Date | Name | Checked | 26.11.2007 | Kovács | Approved | 26.11.2007 | Szabó | knürr Knürr GmbH Mariakirchener Straße 38 D-94424 Arnstorf Tel: +49 (0) 87 23-27-0 | Drawing no. 03.302.003.X-014.X |
| Rev. | Change | Date | Name | | | | | | | | | | | | | | | | | | | | |
| B | 18027 | 12.07.17 | Gali | | | | | | | | | | | | | | | | | | | | |
| Drawn | Date | Name | | | | | | | | | | | | | | | | | | | | | |
| Checked | 26.11.2007 | Kovács | | | | | | | | | | | | | | | | | | | | | |
| Approved | 26.11.2007 | Szabó | | | | | | | | | | | | | | | | | | | | | |
| Platine: | | | File: | | | | | | | | | | | | | | | | | | | | |