

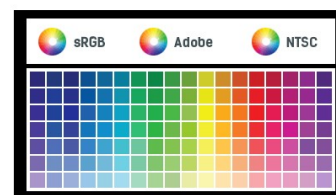


High-colour gamut 28" screen perfect for Photographic Design and Web-design
 Capable of displaying 95% of the NTSC colour gamut, with the standard for an LCD screen being 72%, the ProLite X2888HS-B2 featuring VA technology offers beyond superb colour reproduction. The sophisticated panel technology provides 24 bit 'True Colour' support and superior black and white display performance even if you are looking at the screen from the side. The X2888HS-B2 is an ideal screen for demanding users who settle for nothing but the best image quality.



MVA

MVA technology offers higher contrast, darker blacks and much better viewing angles than standard TN technology. The screen will look good no matter what angle you look at it.



HIGH COLOUR GAMUT

Colour gamut tells you how large the colour range of a monitor is. High colour gamut panels can display a wider range of truly deep and vivid colours.

1. DISPLAY CHARACTERISTICS

DIAGONAL	28"; 71cm
PANEL	MVA LED-backlit
DISPLAY AREA H X W	341.2 x 620.9 mm; 13.4" x 24.4"
RESPONSE TIME	5 ms
CONTRAST	3 000 : 1 typical
CONTRAST	12 000 000 : 1 ACR
BRIGHTNESS	300 cd/m ² typical
VIEWING ZONE	horizontal/vertical: 178° / 178°; right/left: 89° / 89°; up/down: 89° / 89°
DISPLAY COLOUR	16.7 million
PIXEL PITCH H X V	0.32 x 0.32 mm
NATIVE RESOLUTION	Full HD 1920 x 1080 (2.1 megapixel)
HORIZONTAL SYNC	30 - 80 KHz
VERTICAL SYNC	55 - 75 Hz
SYNCHRONIZATION	Separate Sync
ASPECT RATIO	16 : 9
COLOUR RANGE	95% (NTSC)
BLUE LIGHT REDUCER	yes
FLICKER FREE LED	yes

2. INTERFACES & CONNECTORS

ANALOG INPUT CONNECTOR	VGA
DIGITAL INPUT CONNECTOR	DVI-D, HDMI (MHL), DisplayPort
HDCP	yes;
HEADPHONE CONNECTOR	Yes
OUTPUT CONNECTOR	headphone socket

3. SPECIAL FEATURES

APPLE - MAC	All iiyama monitors are compatible with Apple-Macintosh computers.
PLUG & PLAY	VESA DDC2B™
CONTROLS	Via OSD in 8 languages (EN, FR, DE, NL, PL, RU, JP, Chinese) and 5 front controls (Power, Input/ Select/ Blue Light Reducer, Scroll up/ Volume, Scroll down/ i-Style Colour, Menu)
USER CONTROLS	auto adjust, picture adjust (contrast, brightness, ACR, ECO, OD), input select, audio adjust (volume, mute, audio input), colour adjust (sRGB, Adobe RGB, cool, normal, warm, user color, i-Style color), information, manual image adjust (H./V. Position, clock, phase, sharpness, video mode adjust, blue light reducer, X-res technology), setup menu (language select, OSD position, OSD time out, OSD background, opening logo, LED), memory recall
SPEAKERS	2 x 3 W (Stereo)
ANTI-THEFT-DEVICE	Kensington-lock™ prepared

CERTIFICATES	CE, TÜV-Bauart, CU
TILT ANGLE	20° up; 3° down
VESA MOUNTING	100 x 100 mm
COLOUR	Black

4. ACCESSORIES

INCLUDED ACCESSORIES	power cable, DVI-D cable, audio cable, stand, quick start guide, safety guide
----------------------	---

5. POWER MANAGEMENT

POWER SUPPLY	AC 100 - 240 V, 50 / 60 Hz
POWER SUPPLY UNIT	internal
POWER USAGE	30 W typical; max. 0.5 W in Power management mode
POWER MANAGEMENT	VESA DPMS™

6. EU ENERGY EFFICIENCY LABEL

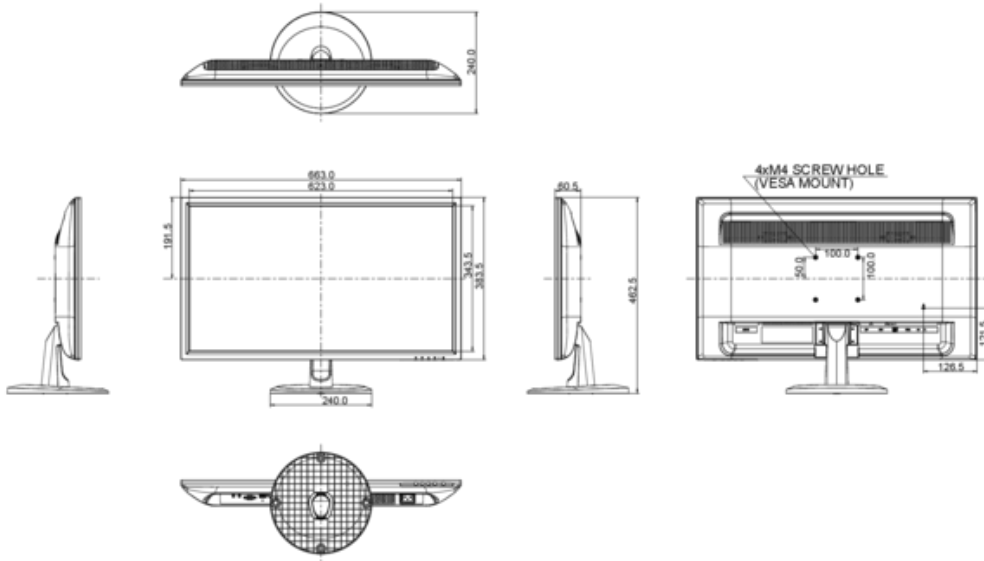
ENERGY EFFICIENCY CLASS	B
ON MODE POWER CONSUMPTION	41.4W
ANNUAL ENERGY CONSUMPTION	60 kWh/annum*
VISIBLE SCREEN DIAGONAL	71 cm; 27.9"; (28" segment)

This is information under Regulation (EU) No 1062/2010.

**Based on the power consumption of the television operating 4 hours per day for 365 days. The actual energy consumption will depend on how the television is used.*

7. DIMENSIONS & WEIGHT

DIMENSIONS W X H X D	663 x 463.5 x 242 mm
WEIGHT	5.4 kg



All trademarks and registered trademarks acknowledged. E & O E. Specification subject to change without notice. All LCD's comply with ISO-9241-307:2008 in connection with pixel defects.

© IIYAMA CORPORATION (). ALL RIGHTS RESERVED.