

DH-PFA132

Junction Box



Features

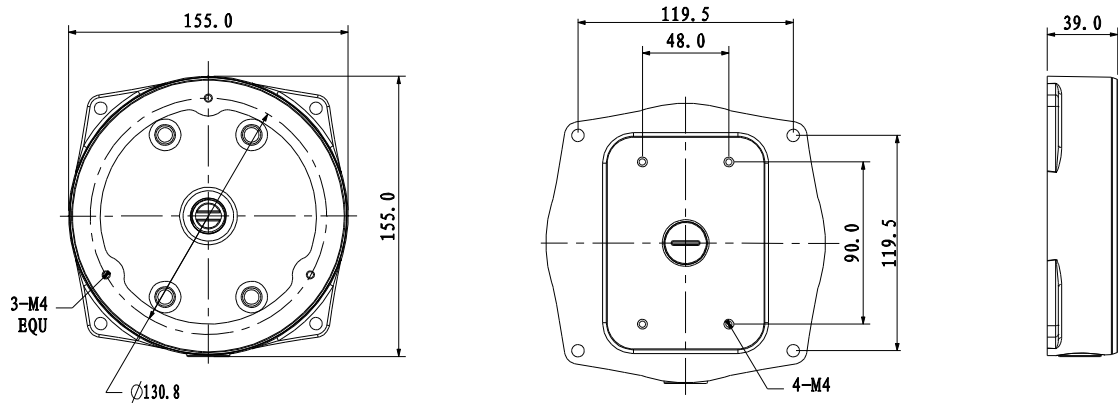
- Material: Aluminum
- Junction Box
- Neat & Integrated design
- Water-proof

Specifications

Model	DH-PFA132
General	
Material	Aluminum
Dimension (W x D x H)	155mm x 155mm x 39mm
Pipe Thread	N/A
Operating Temperature	-40°C ~60°C
Humidity	0~90% RH
Load Bearing	3Kg
Weight	0.6Kg

DH-PFA132

Dimensions (mm)



Application

