

GERMANY'S NO. 1*
PSU MANUFACTURER

be quiet!



PURE POWER 10

EXCEPTIONAL QUIET, SUPERIOR RELIABILITY

700W CM • 600W CM • 500W CM • 400W CM

IDEAL APPLICATIONS

Silent PC builds
Multi-GPU gaming
Office applications
Multimedia and home theater systems

HIGHLIGHTS

80PLUS® Silver efficiency
Multi-GPU support
Stable operation
Silence-optimized be quiet! fan

Exceptionally Quiet, Superior Reliability, Great Value

Whether you're assembling a very quiet system, upgrading an existing PC, or building a multi-GPU gaming system, your build will benefit from this PSU that simply has the best combination of features at a very popular price.

Highlights »

- Two 12V-rails and up to four PCI-express connectors for powerful multi-GPU systems
- 80PLUS® Silver certification and up to 91% power conversion efficiency
- Exceptionally quiet operation thanks to use of a silence-optimized 120mm be quiet! fan
- Stable operation thanks to DC-to-DC power conversion technology
- Modular cable management simplifies component installation and reduces annoying clutter
- Fixed 24-pin and P8 cables with high-quality single layer sleeve
- Easy-to-use flat drives and PCIe cables offer more space for installation
- Top component protection with full suite of safety features
- Meets latest Intel® C6/C7, ErP and Energy Star guidelines
- 3-year manufacturer's warranty
- Product conception, design and quality control in Germany

Pure Power 10 CM »

Pure Power 10 CM offers peerless dependability and best-in-class features at a very popular price.

+ CABLE MANAGEMENT



*According to the yearly PC Games Hardware's „Manufacturer of the year“ election (2006-2016) and market data from GfK (2007-2016)

PURE POWER 10

EXCEPTIONAL QUIET, SUPERIOR RELIABILITY

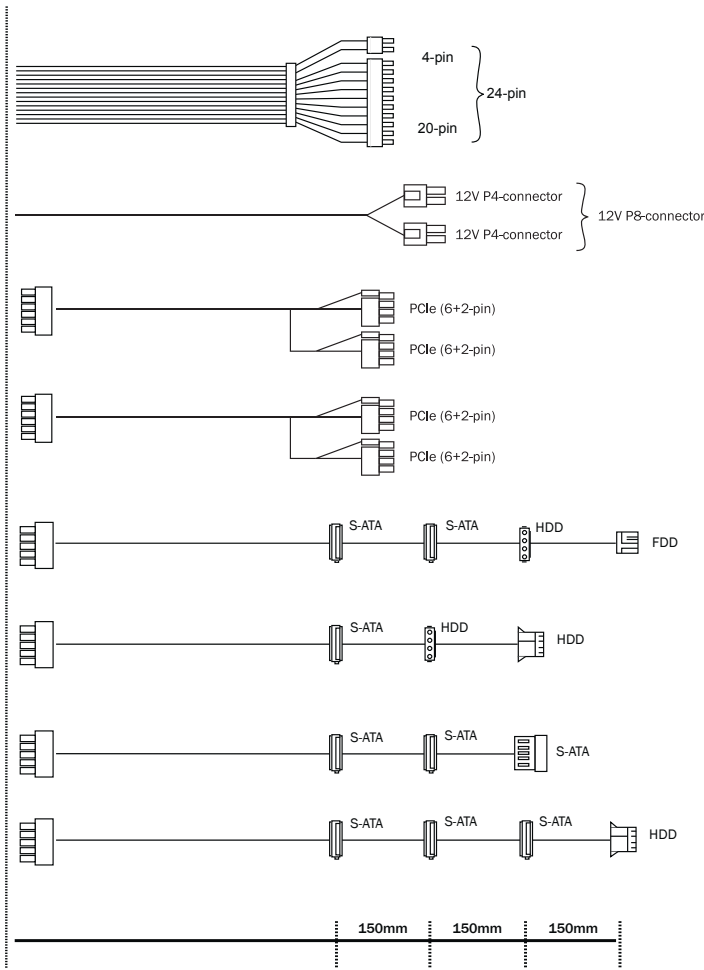
Technical Data »					
IN GENERAL	Model	700W	600W	500W	400W
	Article no.	BN279	BN278	BN277	BN276
	EAN code	4260052185384	4260052185377	4260052185360	4260052185353
	Voltage (Vac) / Frequency (Hz)	100-240 / 50-60	100-240 / 50-60	100-240 / 50-60	100-240 / 50-60
	ATX 12V 2.4 / EPS 12V 2.92	✓ / ✓	✓ / ✓	✓ / -	✓ / -
	Dimensions (L x W x H)	160 x 150 x 86	160 x 150 x 86	160 x 150 x 86	160 x 150 x 86
	High-quality fan (mm)	120	120	120	120
	Noise level (dB(A)) at 20 / 50 / 100% load	11.6 / 12.8 / 27.1	11.2 / 12.5 / 20.3	11 / 11.8 / 19.9	10.6 / 11.1 / 14.5
	Efficiency (%) at 230V	up to 91	up to 91	up to 91	up to 91
	12V-rails	2	2	2	2
	Active PFC	✓	✓	✓	✓
	OCP, OVP, UVP, SCP, OPP, OTP	✓	✓	✓	✓
	Certifications	80PLUS® Silver	80PLUS® Silver	80PLUS® Silver	80PLUS® Silver
	Energy Star 6.0 compatible	✓	✓	✓	✓
	ErP 2014 ready / Power in stand-by (W)	✓ / 0.11	✓ / 0.09	✓ / 0.10	✓ / 0.10
	Lifetime of PSU at 25°C (h)	100,000	100,000	100,000	100,000
CABLES	No. of cables	7	7	7	5
	Maximum cable length (cm)	95	95	95	90
	Length of ATX-connection cable (cm)	55	55	55	45
	Modular cable management	✓	✓	✓	✓
	Sleeved cables	✓	✓	✓	✓
	Flat cables	PCIe, drives	PCIe, drives	PCIe, drives	PCIe, drives
CONNECTORS	ATX-mainboard (20+4-pin)	✓	✓	✓	✓
	PCI-express (6+2-pin)	4	4	2	2
	P8-/P4-connector	1x P4+4	1x P4+4	1x P4+4	1x P4+4
	S-ATA (5-pin)	6	6	6	5
	P-ATA (4-pin)	3	3	3	2
	Easy-plug HDD connectors	✓	✓	✓	✓
	Floppy	1	1	1	1

Output Data »											
PURE POWER 10 700W CM	AC Input	100-240Vac		50-60Hz		10-5A					
	DC Output	3.3V	5V	12V1	12V2	-12V	5VSB				
	Max. Current	25A	20A	36A	30A	0.3A	3A				
	Max. Combined Power	150W		672W		3.6W	15W	700W			
PURE POWER 10 500W CM	AC Input	100-240Vac		50-60Hz		8-5A					
	DC Output	3.3V	5V	12V1	12V2	-12V	5VSB				
	Max. Current	24A	15A	28A	20A	0.3A	3A				
	Max. Combined Power	120W		480W		3.6W	15W	500W			
PURE POWER 10 600W CM	AC Input	100-240Vac		50-60Hz		8-5A					
	DC Output	3.3V	5V	12V1	12V2	-12V	5VSB				
	Max. Current	25A	18A	32A	28A	0.3A	3A				
	Max. Combined Power	140W		576W		3.6W	15W	600W			
PURE POWER 10 400W CM	AC Input	100-240Vac		50-60Hz		6-4A					
	DC Output	3.3V	5V	12V1	12V2	-12V	5VSB				
	Max. Current	24A	15A	24A	20A	0.3A	3A				
	Max. Combined Power	120W		384W		3.6W	15W	400W			

PURE POWER 10

EXCEPTIONAL QUIET, SUPERIOR RELIABILITY

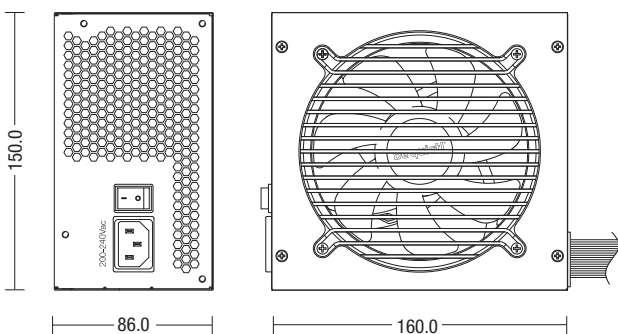
Cables »



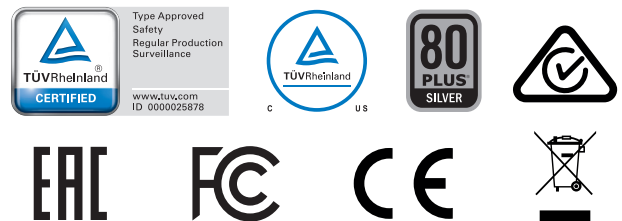
	700W CM	600W CM	500W CM	400W CM
24-pin ATX	550mm	550mm	550mm	450mm
12V P8	600mm	600mm	600mm	600mm
PCIe (6+2-pin) x2	500mm 2x	500mm 2x	500mm	500mm
PCIe (6+2-pin) x4	500mm 2x	500mm 2x	500mm	-
S-ATA x2, HDD, FDD	500mm*	500mm*	500mm*	450mm*
S-ATA, HDD, HDD	500mm*	500mm*	500mm*	-
S-ATA x3	500mm*	500mm*	500mm*	-
S-ATA x3, HDD	-	-	-	450mm*

*cable length to first connector

Dimensions (mm) »



Certifications »



Contact »

Service Hotline: +49 40 7367 686 44 (Mo-Fr. 9:00-17:30)
Mail: service@bequiet.com