

GERMANY'S NO. 1*
PSU MANUFACTURER

be quiet!®



PURE POWER 10

EXCEPTIONAL QUIET, SUPERIOR RELIABILITY

700W • 600W • 500W • 400W • 350W • 300W

IDEAL APPLICATIONS

Silent PC builds
Multi-GPU gaming
Office applications
Multimedia and home theater systems

HIGHLIGHTS

80PLUS® Silver / Bronze efficiency
Multi-GPU support from 400W
Stable operation
Silence-optimized be quiet! fan

Exceptionally Quiet, Superior Reliability, Great Value

Whether you're assembling a very quiet system, upgrading an existing PC, or building a multi-GPU gaming system, your build will benefit from this PSU series that simply has the best combination of features at a very popular prize.

Highlights »

- Two 12V-rails and up to four PCI-express connectors for powerful multi-GPU systems
- 80PLUS® Silver / Bronze certification with up to 91% power conversion efficiency
- Exceptionally quiet operation thanks to use of a silence-optimized 120mm be quiet! fan
- Stable operation thanks to DC-to-DC power conversion technology (700W - 400W)
- Attractively sleeved cables simplify component installation, increase airflow and improve cooling
- Top component protection with full suite of safety features
- Meets latest Intel® C6/C7, ErP and Energy Star guidelines
- 3-year manufacturer's warranty
- Product conception, design and quality control in Germany

Pure Power 10 »

Pure Power 10 offers peerless dependability and best-in-class features at a very popular price.



*According to the yearly PC Games Hardware's „Manufacturer of the year“ election (2006-2016) and market data from GfK (2007-2016)

PURE POWER 10

EXCEPTIONAL QUIET, SUPERIOR RELIABILITY

Technical Data >>

		700W	600W	500W	400W	350W	300W
IN GENERAL	Model	700W	600W	500W	400W	350W	300W
	Article no.	BN275	BN274	BN273	BN272	BN271	BN270
	EAN code	4260052185346	4260052185339	4260052185322	4260052185315	4260052185308	4260052185292
	Voltage (Vac) / Frequency (Hz)	100-240 / 50-60	100-240 / 50-60	100-240 / 50-60	100-240 / 50-60	100-240 / 50-60	100-240 / 50-60
	ATX 12V 2.4 / EPS 12V 2.92	✓ / ✓	✓ / ✓	✓ / -	✓ / -	✓ / -	✓ / -
	Dimensions (L x W x H)	150 x 150 x 86	150 x 150 x 86	150 x 150 x 86	150 x 150 x 86	150 x 150 x 86	150 x 150 x 86
	High-quality fan (mm)	120	120	120	120	120	120
	Noise level (dB(A)) at 20 / 50 / 100% load	11.6 / 13.1 / 27.3	11.2 / 12.5 / 23.6	11.3 / 11.9 / 22.3	10.6 / 11.1 / 16.2	11 / 11.1 / 16.4	10.6 / 10.8 / 13.2
	Efficiency (%) at 230V	up to 91	up to 91	up to 91	up to 91	up to 87	up to 87
	12V-rails	2	2	2	2	2	2
	Active PFC	✓	✓	✓	✓	✓	✓
	OC, OVP, UVP, SCP, OPP, OTP	✓	✓	✓	✓	✓	✓
	Certifications	80PLUS® Silver	80PLUS® Silver	80PLUS® Silver	80PLUS® Silver	80PLUS® Bronze	80PLUS® Bronze
	Energy Star 6.0 compatible	✓	✓	✓	✓	✓	✓
	ErP 2014 ready / Power in stand-by (W)	✓ / 0.11	✓ / 0.11	✓ / 0.10	✓ / 0.10	✓ / 0.10	✓ / 0.10
Lifetime of PSU at 25°C (h)	100,000	100,000	100,000	100,000	100,000	100,000	
CABLES	No. of cables	7	7	7	5	5	5
	Maximum cable length (cm)	95	95	95	90	90	90
	Length of ATX-connection cable (cm)	55	55	55	45	45	45
	Sleeved cables	✓	✓	✓	✓	✓	✓
CONNECTORS	ATX-mainboard (20+4-pin)	✓	✓	✓	✓	✓	✓
	PCI-express (6+2-pin)	4	4	2	2	1	1
	P8-/P4-connector	1x P4+4	1x P4+4	1x P4+4	1x P4+4	1x P4+4	1x P4+4
	S-ATA (5-pin)	6	6	6	5	5	4
	P-ATA (4-pin)	3	3	3	2	2	2
	Easy-plug HDD connectors	✓	✓	✓	✓	✓	✓
	Floppy	1	1	1	1	1	1

Output Data >>

PURE POWER 10 700W	AC Input	100-240Vac 50-60Hz 10-5A					
	DC Output	3.3V	5V	12V1	12V2	-12V	5VSB
	Max. Current	25A	20A	36A	30A	0.3A	3A
	Max. Combined Power	150W		672W		3.6W	15W
		700W					

PURE POWER 10 400W	AC Input	100-240Vac 50-60Hz 6-4A					
	DC Output	3.3V	5V	12V1	12V2	-12V	5VSB
	Max. Current	24A	15A	24A	20A	0.3A	3A
	Max. Combined Power	120W		384W		3.6W	15W
		400W					

PURE POWER 10 600W	AC Input	100-240Vac 50-60Hz 8-5A					
	DC Output	3.3V	5V	12V1	12V2	-12V	5VSB
	Max. Current	25A	18A	32A	28A	0.3A	3A
	Max. Combined Power	140W		576W		3.6W	15W
		600W					

PURE POWER 10 350W	AC Input	100-240Vac 50-60Hz 6-3A					
	DC Output	3.3V	5V	12V1	12V2	-12V	5VSB
	Max. Current	21A	15A	18A	18A	0.3A	2.5A
	Max. Combined Power	110W		336W		3.6W	12.5W
		350W					

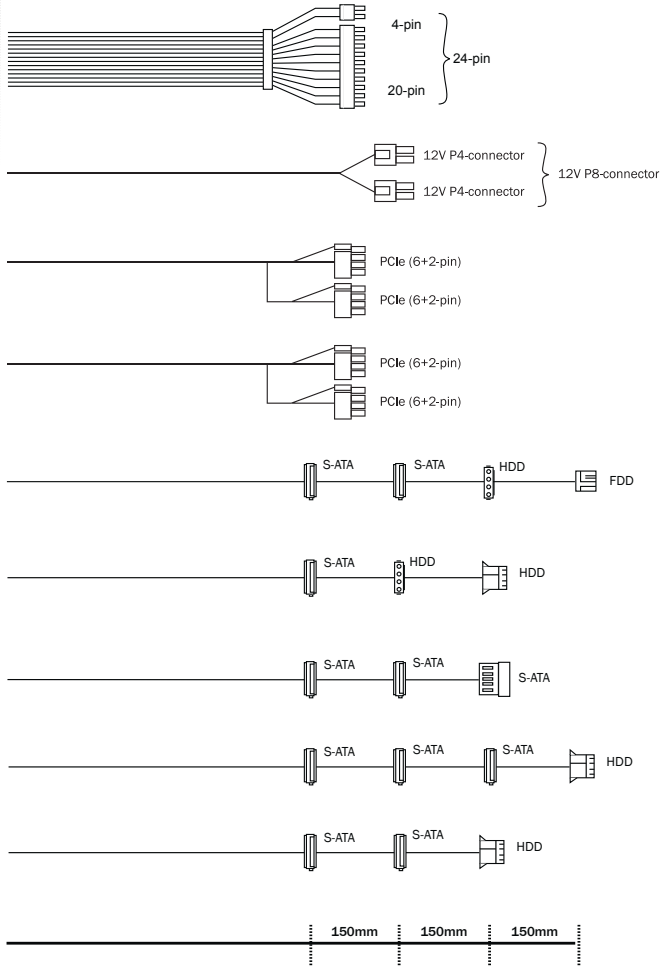
PURE POWER 10 500W	AC Input	100-240Vac 50-60Hz 8-5A					
	DC Output	3.3V	5V	12V1	12V2	-12V	5VSB
	Max. Current	24A	15A	28A	20A	0.3A	3A
	Max. Combined Power	120W		480W		3.6W	15W
		500W					

PURE POWER 10 300W	AC Input	100-240Vac 50-60Hz 5-2.5A					
	DC Output	3.3V	5V	12V1	12V2	-12V	5VSB
	Max. Current	21A	15A	18A	18A	0.3A	2.5A
	Max. Combined Power	103W		288W		3.6W	12.5W
		300W					

PURE POWER 10

EXCEPTIONAL QUIET, SUPERIOR RELIABILITY

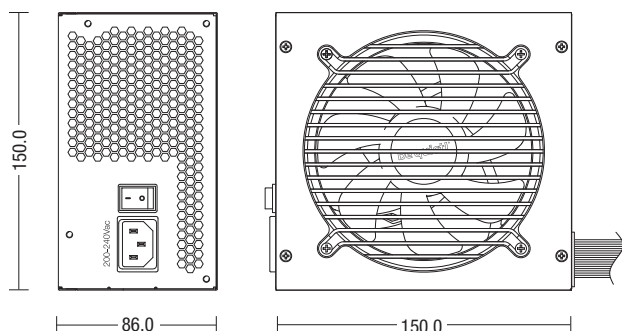
Cables »



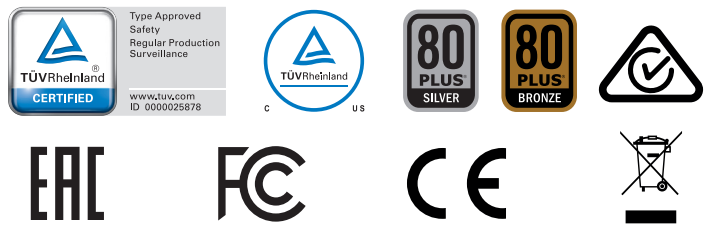
	700W	600W	500W	400W	350W	300W
24-pin ATX	550mm	550mm	550mm	450mm	450mm	450mm
12V P8-connector	600mm	600mm	600mm	600mm	550mm	550mm
PCIe (6+2-pin)	500mm 2x	500mm 2x	500mm	500mm 2x	500mm	500mm
PCIe (6+2-pin)	500mm 2x	500mm 2x	500mm	-	-	-
S-ATA	500mm*	500mm*	500mm*	450mm*	450mm*	450mm*
HDD	500mm*	500mm*	500mm*	-	-	-
S-ATA	500mm*	500mm*	500mm*	-	-	-
S-ATA	-	-	-	450mm*	450mm*	-
HDD	-	-	-	-	-	450mm*

*cable length to first connector

Dimensions (mm) »



Certifications »



Contact »

Service Hotline: +49 40 7367 686 44 (Mo-Fr. 9:00-17:30)
Mail: service@bequiet.com