

DH-PTZ12230F-IRB-N

2MP 30x Network IR Positioning System



- 1/1.9" 2Megapixel CMOS
- Powerful 30x optical zoom
- Starlight technology
- Support Triple-stream encoding
- Max. 25/30fps@1080P, 25/30/50/60fps@720P
- Auto-tracking and IVS
- IR Distance up to 300m
- IP66



System Overview

Featuring with powerful optical zoom and accurate pan/tilt/zoom performance, this series provides an all-in-one solution for capturing long distance video surveillance for outdoor applications. Together with its infrared illumination and Starlight Technology, the camera is the perfect solution for dark, lowlight applications. The series combines a day/night mechanical IR cut filter for the highest image quality for variable lighting conditions during the day and True WDR for applications with direct sunlight or glare.

Functions

Starlight Technology

Thanks to our experience and expertise in hardware and software development, the camera is equipped with the latest image processing algorithm, high performance hardware and high quality optical components, which make the camera have very excellent low light performance. In most conditions, this camera can deliver clear, bright and low-noise color images.

Wide Dynamic Range

Embedded with industry leading wide dynamic range (WDR) technology, vivid pictures are achieved even in the most intense contrast lighting conditions. For applications with both bright and low lighting conditions that change quickly, true WDR (120dB) optimizes both the bright and dark areas of a scene at the same time to provide usable video.

Auto-tracking

The camera supports auto-tracking. The tracking action can be triggered manually or automatically by defined rules. Once rules are triggered, the camera can zoom in and track the defined target automatically.

Environmental

With a temperature range of -40 °C to +70 °C (-40 °F to +158 °F), the camera is designed for extreme temperature environments. Subjected and certified to rigorous dust and water immersion tests, the IP66 rating makes it suitable for demanding outdoor applications.

Protection

This camera suits even the harsh conditions for outdoor applications. Its 8KV lightning rating provides protection against the camera and its structure from the effects of lightning.

Interoperability

The camera conforms to the ONVIF (Open Network Video Interface Forum) and PSIA (Physical Security Interoperability Alliance) specifications, ensuring interoperability between network video products regardless of manufacturer.

Technical Specification

Camera

Image Sensor	1/1.9" CMOS
Effective Pixels	1920(H) x 1080(V), 2 Megapixels
RAM/ROM	1024M/64M
Scanning System	Progressive
Electronic Shutter Speed	1/1s~1/300,000s
Minimum Illumination	Color: 0.002Lux@F1.6; 0Lux@F1.6 (IR on)
S/N Ratio	More than 55dB
IR Distance	Distance up to 300m(984ft)
IR On/Off Control	Auto/Manual
IR LEDs	4

Lens

Focal Length	6mm ~ 180mm
Max. Aperture	F1.6 ~ F4.4
Angle of View	H: 61.2° ~ 2.1°
Optical Zoom	30x
Focus Control	Auto/Manual
Close Focus Distance	100mm~ 1000mm

DORI Distance

*Note: The DORI distance is a "general proximity" of distance which makes it easy to pinpoint the right camera for your needs. The DORI distance is calculated based on sensor specification and lab test result according to EN 62676-4 which defines the criteria for Detect, Observe, Recognize and Identify respectively.

Detect	Observe	Recognize	Identify
1920m(6299ft)	768m(2520ft)	384m(1260ft)	192m(630ft)

PTZ

Pan/Tilt Range	Pan: 0° ~ 360° endless; Tilt: -90° ~ 45°
Manual Control Speed	Pan: 0.1° ~160° /s; Tilt: 0.1° ~60° /s
Preset Speed	Pan:160° /s; Tilt: 60° /s
Presets	300
PTZ Mode	5 Pattern, 8 Tour, Auto Pan ,Auto Scan
Speed Setup	Human-oriented focal Length/ speed adaptation
Power up Action	Auto restore to previous PTZ and lens status after power failure
Idle Motion	Activate Preset/ Scan/ Tour/ Pattern if there is no command in the specified period
Protocol	DH-SD, Pelco-P/D (Auto recognition)

Intelligence

Auto Tracking	Support
IVS	Tripwire, Intrusion, Abandoned/Missing, Face Detection

Video

Compression	H.264 / MJPEG	
Streaming Capability	3 Streams	
Resolution	1080P(1920×1080)/720P(1280×720)/D1(704×576/704×480)/CIF(352×288/352×240)	
Frame Rate	Main stream	1080P(1~25/30fps), 720P(1~50/60fps)
	Sub stream1	D1/CIF(1 ~ 25/30fps)
	Sub stream2	1080P/720P/D1/CIF (1 ~ 25/30fps)
Bit Rate Control	CBR/VBR	
Bit Rate	H.264: 448K~8192Kbps, MJPEG: 4096K~20480Kbps	
Day/Night	Auto(ICR) / Color / B/W	
Backlight Compensation	BLC / HLC / WDR (120dB)	
White Balance	Auto,ATW,Indoor,Outdoor,Manual	
Gain Control	Auto / Manual	
Noise Reduction	Ultra DNR (2D/3D)	
Motion Detetion	Support	
Region of Interest	Support	
Electronic Image Stabilization (EIS)	Support	
Defog	Support	
Digital Zoom	16x	
Flip	180°	
Privacy Masking	Up to 24 areas	

Audio

Compression	G.711a/G.711mu/G.726/AAC
-------------	--------------------------

Network

Ethernet	RJ-45 (10/100Base-T)
Protocol	IPv4/IPv6,HTTP,HTTPS,SSL,TCP/IP, UDP,UPnP, ICMP,IGMP,SNMP,RTSP,RTP, SMTP, NTP,DHCP, DNS,PPPOE,DDNS,FTP, IP Filter,QoS,Bonjour,802.1x
Interoperability	ONVIF, PSIA, CGI
Streaming Method	Unicast / Multicast
Max. User Access	20 users
Edge Storage	NAS (Network Attached Storage),Local PC for instant recording, Micro SD card 128GB
Web Viewer	IE, Chrome, Firefox, Safari
Management Software	Smart PSS, DSS
Smart Phone	IOS, Android

Certifications

Certifications	CE: EN55032/EN55024/EN50130-4 FCC: Part15 subpartB,ANSI C63.4- 2014 UL: UL60950-1+CAN/CSA C22.2.No.60950-1
----------------	------------------------------------------------------------------------------------------------------------------

Interface

Video Interface	1
Audio Interface	1/1
RS485	1
Alarm	7/2

Electrical

Power Supply	AC24V/5A(±25%)
Power Consumption	70W, 90W (IR on)

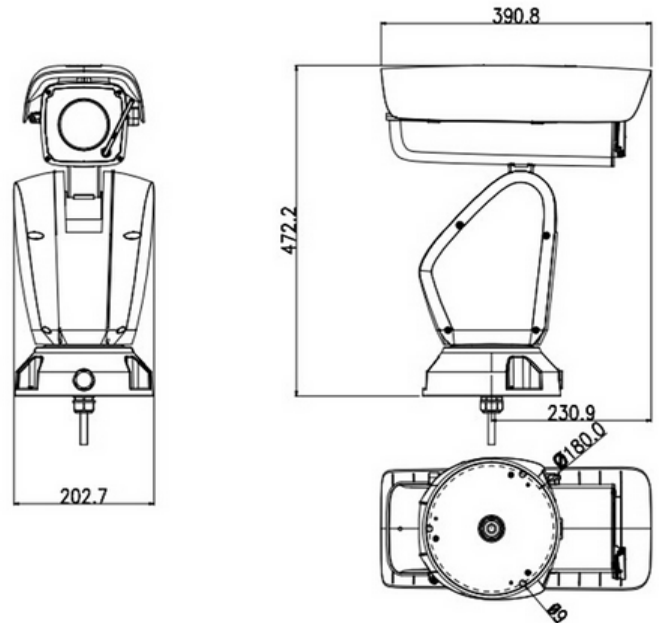
Environmental

Operating Conditions	-40°C ~ 70°C (-40°F ~ +158°F) / Less than 95% RH
Ingress Protection	IP66
Vandal Resistance	N/A

Construction

Casing	Metal
Dimensions	Φ202.7(mm)×390.8(mm)×472.2(mm)
Net Weight	10.5kg(23.15lb)
Gross Weight	16.5kg(36.38lb)

Dimensions (mm)



Ordering Information

Type	Part Number	Description
2MP Positioning System	DH-PTZ12230F-IRB-N	2MP 30x Network IR Positioning System, WDR, PAL
	DH-PTZ12230FN-IRB-N	2MP 30x Network IR Positioning System, WDR, NTSC
	PTZ12230F-IRB-N	2MP 30x Network IR Positioning System, WDR, PAL
	PTZ12230FN-IRB-N	2MP 30x Network IR Positioning System, WDR, NTSC
Accessories	AC24V/5A	Power Supply

Accessories

Included :



AC24V/5A
Power Supply